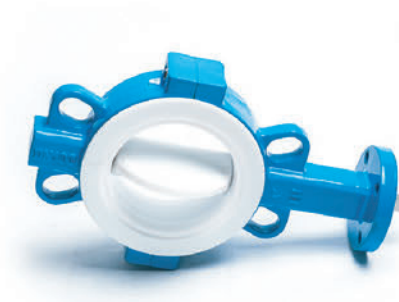


## Product Description

- The lining butterfly valve body is a split type combination. Easy to assemble and seal adjustment, when the valve is working, only the fluoroplastic seat and the fluoroplastic valve plate are in contact with the medium.
- The inner surface of the valve body channel is smooth, the fluid resistance is small, the CV value is high, the circulation capacity is strong, the torque is moderate, and the zero leakage of the medium is completely achieved. The valve is small in size, light in weight, compact in structure, rapid in switching, beautiful in appearance, and excellent in craftsmanship. Reliable performance, light operation, long service life.
- The valve can withstand any corrosive media other than molten alkali metals and elements. It is a gas, liquid, semi-fluid pipeline and container for chemical, petroleum, pharmaceutical, food, steel smelting, papermaking, hydropower, and environmental protection systems. Do a quick cut-off and adjust the best product for your device.
- Lining materials: PTFE, FEP, PFA, GXPO, etc.
- Connection form: clip type, flange type, lug type connection
- Drive mode: manual, turbine, electric, pneumatic



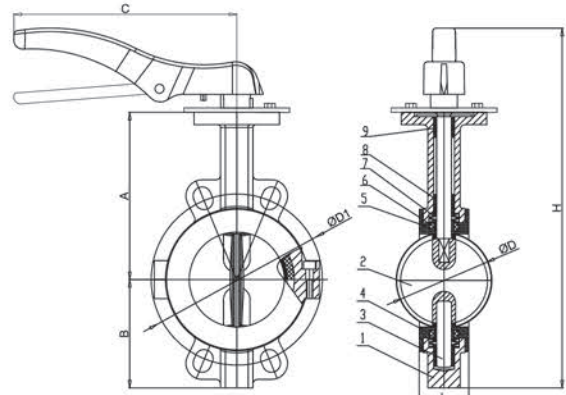
## Main specification

Nominal Size	Operated Type	Work Pressure	Work Temperature	Seal Material	Disc Material	Body Material	Medium	Application	Connection Standard
DN25	Pneumatic Actuator	PN1.0	-15-150°C	PTFE	WCB	Ductile Iron	Strong Acid	Lithium Battery	PN10/PN16
↓	Electric Actuator	PN1.6		FEP	SS304	WCB	Strong Alkali	Desalination	ANSI150
	Manual Hand Lever			PFA		Stainless Steel	Strong Oxidant	Coal Chemical	DIN16
300	Worm Gear			GXPO			Chemical Industry	JIS10K/16K	
								Rubber	
								Papermarking	
								Pharmacy	

**Connection Type** Wafer Type, Flanged Type, Lug Type, ect.

Visit our website to know more details: [www.flowxcontrol.com](http://www.flowxcontrol.com)

## Manual Handle Lever Operated

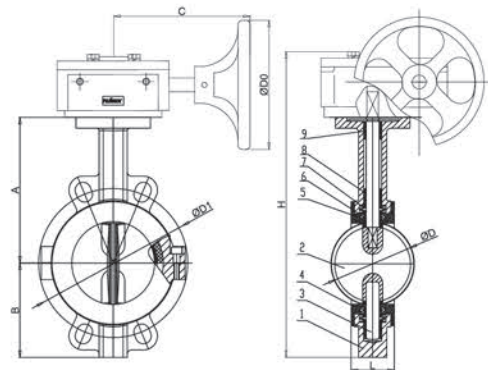


unit: mm

### Dimensions

Size		CLASS150		JIS 10K		PN10		PN16		A	B	L	ΦD	H	C	WT (kg)
DN	NPS	D1	N-Φd1	D1	N-Φd1	D1	N-Φd1	D1	N-Φd1							
50	2"	120.6	2-Φ19.1	120	2-Φ19	125	2-Φ19	125	2-Φ19	140	80	43	53	288	213	-
65	2½"	139.7	2-Φ19.1	140	2-Φ19	145	2-Φ19	145	2-Φ19	150	89	45	63	307	213	-
80	3"	152.4	2-Φ19.1	150	2-Φ19	160	2-Φ19	160	2-Φ19	158	95	45	79	321	213	-
100	4"	190.5	2-Φ19.1	175	4-Φ19	180	2-Φ19	180	4-Φ19	176	114	52	104	379	277	-
125	5"	215.9	4-Φ22.4	210	4-Φ23	210	2-Φ23	210	4-Φ19	190	125	56	123.3	406	277	-
150	6"	241.3	4-Φ22.4	240	4-Φ23	240	4-Φ23	240	4-Φ23	210	139	56	155.1	438	277	-

## Worm Gear Operated



unit: mm

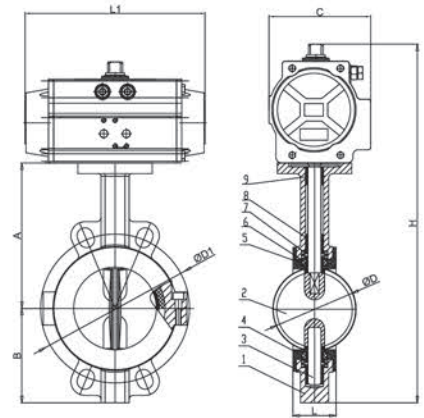
### Dimensions

Size		CLASS150		JIS 10K		PN10		PN16		A	B	L	ΦD	H	C	WT (kg)
DN	NPS	D1	N-Φd1	D1	N-Φd1	D1	N-Φd1	D1	N-Φd1							
50	2"	120.6	2-Φ19.1	120	2-Φ19	125	2-Φ19	125	2-Φ19	140	80	43	53	268	120	-
65	2½"	139.7	2-Φ19.1	140	2-Φ19	145	2-Φ19	145	2-Φ19	150	89	45	63	287	120	-
80	3"	152.4	2-Φ19.1	150	2-Φ19	160	2-Φ19	160	2-Φ19	158	95	45	79	301	120	-
100	4"	190.5	2-Φ19.1	175	4-Φ19	180	2-Φ19	180	4-Φ19	176	114	52	104	338	120	-
125	5"	215.9	4-Φ22.4	210	4-Φ23	210	2-Φ23	210	4-Φ23	190	125	56	123.3	365	120	-
150	6"	241.3	4-Φ22.4	240	4-Φ23	240	4-Φ23	240	4-Φ23	210	139	56	155.1	297	120	-
200	8"	298.5	4-Φ22.4	290	4-Φ23	295	4-Φ23	295	4-Φ23	236	175	60	202.5	467	200	-
250	10"	361.9	4-Φ25.4	355	4-Φ25	350	4-Φ23	355	4-Φ28	275	203	68	250.5	534	200	-
300	12"	431.8	4-Φ25.4	400	4-Φ25	400	4-Φ23	410	4-Φ28	305	242	78	301.5	618	300	-
350	14"	476	4-Φ28.5	445	4-Φ25	460	4-Φ23	470	4-Φ28	337	284	78	333.1	692	300	-

## FULLY LINED BUTTERFLY VALVE



### Pneumatic Actuator Operated

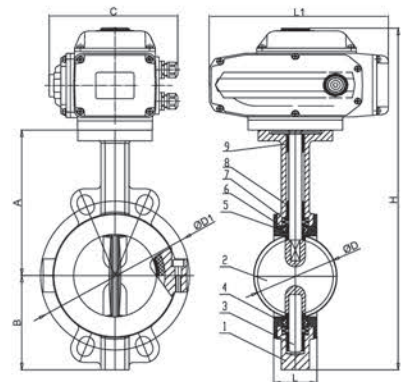


unit: mm

#### ■ Dimensions

Size		CLASS150		JIS 10K		PN10		PN16		A	B	L	ΦD	H	L1	C	WT (kg)
DN	NPS	D1	N-Φd1	D1	N-Φd1	D1	N-Φd1	D1	N-Φd1								
50	2"	120.6	2-Φ19.1	120	2-Φ19	125	2-Φ19	125	2-Φ19	140	80	43	53	320.5	162	80.5	-
65	2½"	139.7	2-Φ19.1	140	2-Φ19	145	2-Φ19	145	2-Φ19	150	89	45	65	356	207	95	-
80	3"	152.4	2-Φ19.1	150	2-Φ19	160	2-Φ19	160	2-Φ19	158	95	45	79	370	207	95	-
100	4"	190.5	2-Φ19.1	175	4-Φ19	180	2-Φ19	180	4-Φ19	176	114	52	104	418.5	237.5	106	-
125	5"	215.9	4-Φ22.4	210	4-Φ23	210	2-Φ23	210	4-Φ23	190	125	56	123.3	458.5	271.5	123	-
150	6"	241.3	4-Φ22.4	240	4-Φ23	240	4-Φ23	240	4-Φ23	210	139	56	155.1	520.5	328	137	-
200	8"	298.5	4-Φ22.4	290	4-Φ23	295	4-Φ23	295	4-Φ23	236	175	60	202.5	594.5	366	148	-
250	10"	361.9	4-Φ25.4	355	4-Φ25	350	4-Φ23	355	4-Φ28	275	203	68	250.5	684	428	164	-
300	12"	431.8	4-Φ25.4	400	4-Φ25	400	4-Φ23	410	4-Φ28	305	242	78	301.5	769	430	186.5	-
350	14"	476	4-Φ28.5	445	4-Φ25	460	4-Φ23	470	4-Φ28	337	284	78	333.1	873	482	204	-

### Electric Actuator Operated



unit: mm

#### ■ Dimensions

Size		CLASS150		JIS 10K		PN10		PN16		A	B	L	ΦD	H	L1	C	WT (kg)
DN	NPS	D1	N-Φd1	D1	N-Φd1	D1	N-Φd1	D1	N-Φd1								
50	2"	120.6	2-Φ19.1	120	2-Φ19	125	2-Φ19	125	2-Φ19	140	80	43	53	357.5	162	140.5	-
65	2½"	139.7	2-Φ19.1	140	2-Φ19	145	2-Φ19	145	2-Φ19	150	89	45	65	407.5	211.5	154	-
80	3"	152.4	2-Φ19.1	150	2-Φ19	160	2-Φ19	160	2-Φ19	158	95	45	79	421.5	211.5	154	-
100	4"	190.5	2-Φ19.1	175	4-Φ19	180	2-Φ19	180	4-Φ19	176	114	52	104	493	259	186	-
125	5"	215.9	4-Φ22.4	210	4-Φ23	210	2-Φ23	210	4-Φ23	190	127	56	123.3	520	259	186	-
150	6"	241.3	4-Φ22.4	240	4-Φ23	240	4-Φ23	240	4-Φ23	210	139	56	155.1	552	259	186	-
200	8"	298.5	4-Φ22.4	290	4-Φ23	295	4-Φ23	295	4-Φ23	236	175	60	202.5	614	259	186	-
250	10"	361.9	4-Φ25.4	355	4-Φ25	350	4-Φ23	355	4-Φ28	275	203	68	250.5	684	259	186	-
300	12"	431.8	4-Φ25.4	400	4-Φ25	400	4-Φ23	410	4-Φ28	305	242	78	301.5	776.5	283.5	193	-
350	14"	476	4-Φ28.5	445	4-Φ25	460	4-Φ23	470	4-Φ28	337	284	78	333.1	850.5	283.5	193	-