

True Union Ball Valves

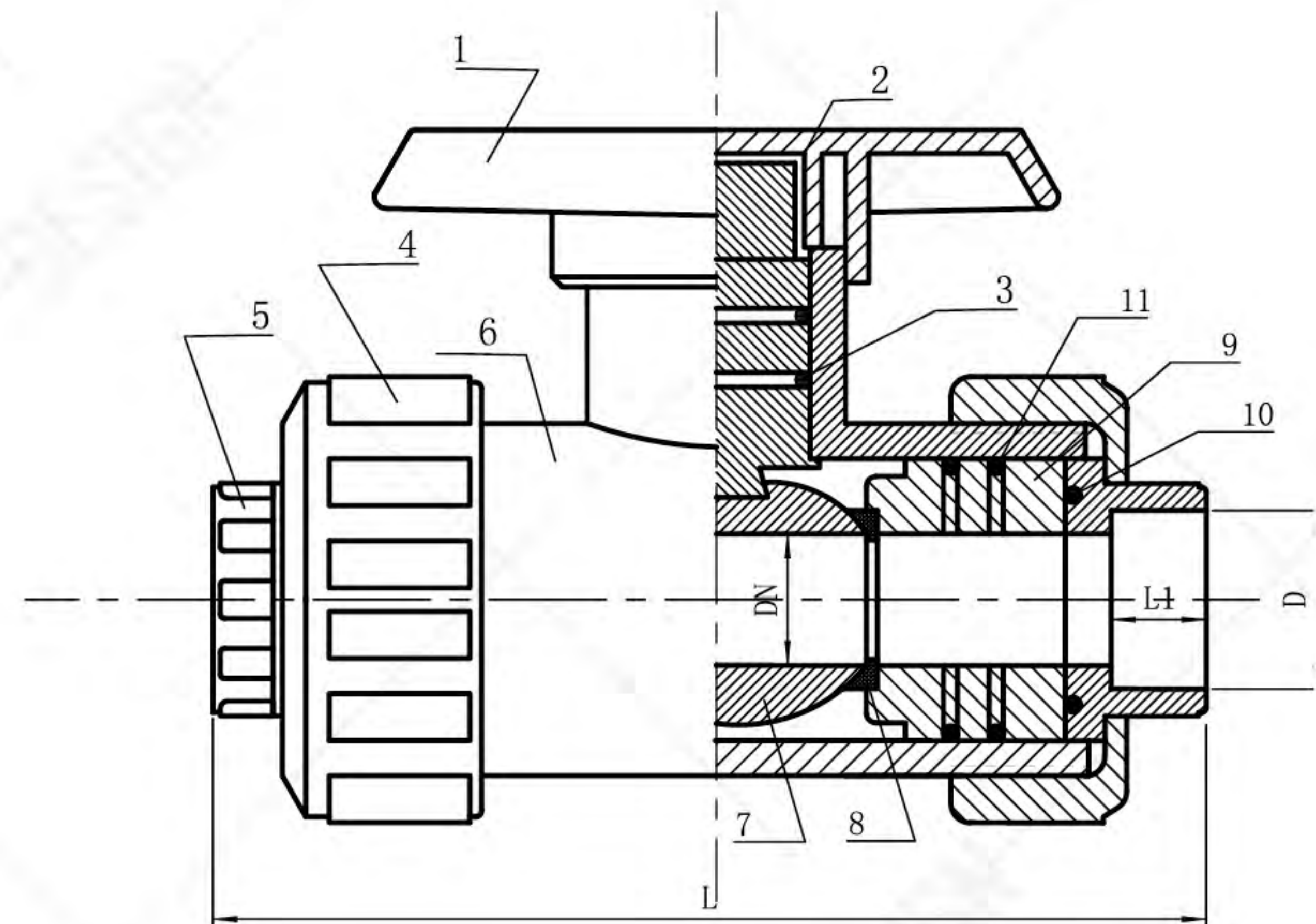
■ Features

- > 1/2" through 4"
- > True Union Ends
- > PN10 working pressure
- > Temperature rating varies from with o-ring material
- > Electric and Pneumatic Actuators
- > Cost-efficient Actuators
- > Ideal for Use in Chemical, Industrial, Irrigation, or
- > Pool and Spa NSF Listed for Potable Water



■ Material List

| NO. | PARTS NAME | MATERIAL | QTY |
|-----|------------|----------|-----|
| 1 | HANDLE | ABS | 1 |
| 2 | STEM | UPVC | 1 |
| 3 | SEALING | EPDM | 2 |
| 4 | NUT | UPVC | 2 |
| 5 | JOINT | UPVC | 2 |
| 6 | BODY | UPVC | 1 |
| 7 | BALL | UPVC | 1 |
| 8 | SEAL | PTFE | 2 |
| 9 | PLUG | UPVC | 2 |
| 10 | SEAL | EPDM | 2 |
| 11 | SEAL | EPDM | 2 |



■ Dimensional Data

| Size | | D | L | L1 |
|------|-------|-----|-----|----|
| DN | In. | | | |
| 15 | 1/2 | 20 | 100 | 15 |
| 25 | 1 | 32 | 118 | 20 |
| 32 | 1 1/4 | 40 | 150 | 23 |
| 40 | 1 1/2 | 50 | 170 | 25 |
| 50 | 2 | 63 | 200 | 28 |
| 65 | 2 1/2 | 75 | 215 | 32 |
| 80 | 3 | 90 | 265 | 35 |
| 100 | 4 | 110 | 360 | 45 |

Valve Operator

Lever operation

- Pneumatic or electric actuators available.
- Limit switches, positioners, solenoid valves and many other customer options available.
- Contact FLOWX for appropriate choice and sizing of valve actuators.

ALL VALVES ARE 100% ELECTRONICALLY TESTED AT 80 PSI IN BOTH THE OPEN AND CLOSED POSITIONS

FLOWX VALVE • WORLD-CLASS VALVE SUPPLIERS • T (86) 021 3497 7873 • F (86) 021 5415 0271 • Email: sales@flowxvalve.com

True Union Ball Valves

Features of Actuators

- > Heavy duty Rack and pinion design
 - > Spring return or double acting
 - > Open and closed adjustment stops
 - > True NAMUR accessory and ISO mounting
 - > Visual indicator, Top Mount indicator
 - > High temperature and corrosion resistant models available
 - > Solenoids, limit switches, positioners and other accessories are available
-
- > Fully adjustable limit switches allow for fine control of on-off positions
 - > All electric actuators are available for modulating (4-20mA control) or on-off service
 - > Motor has thermal overload protection
 - > Running Time: 9s/13s/15s/30s/50s/100s/150s
 - > Heavy-duty gear train motor with permanent lubrication
 - > ISO bottom mounting for direct mount actuation with true ISO valves on most models



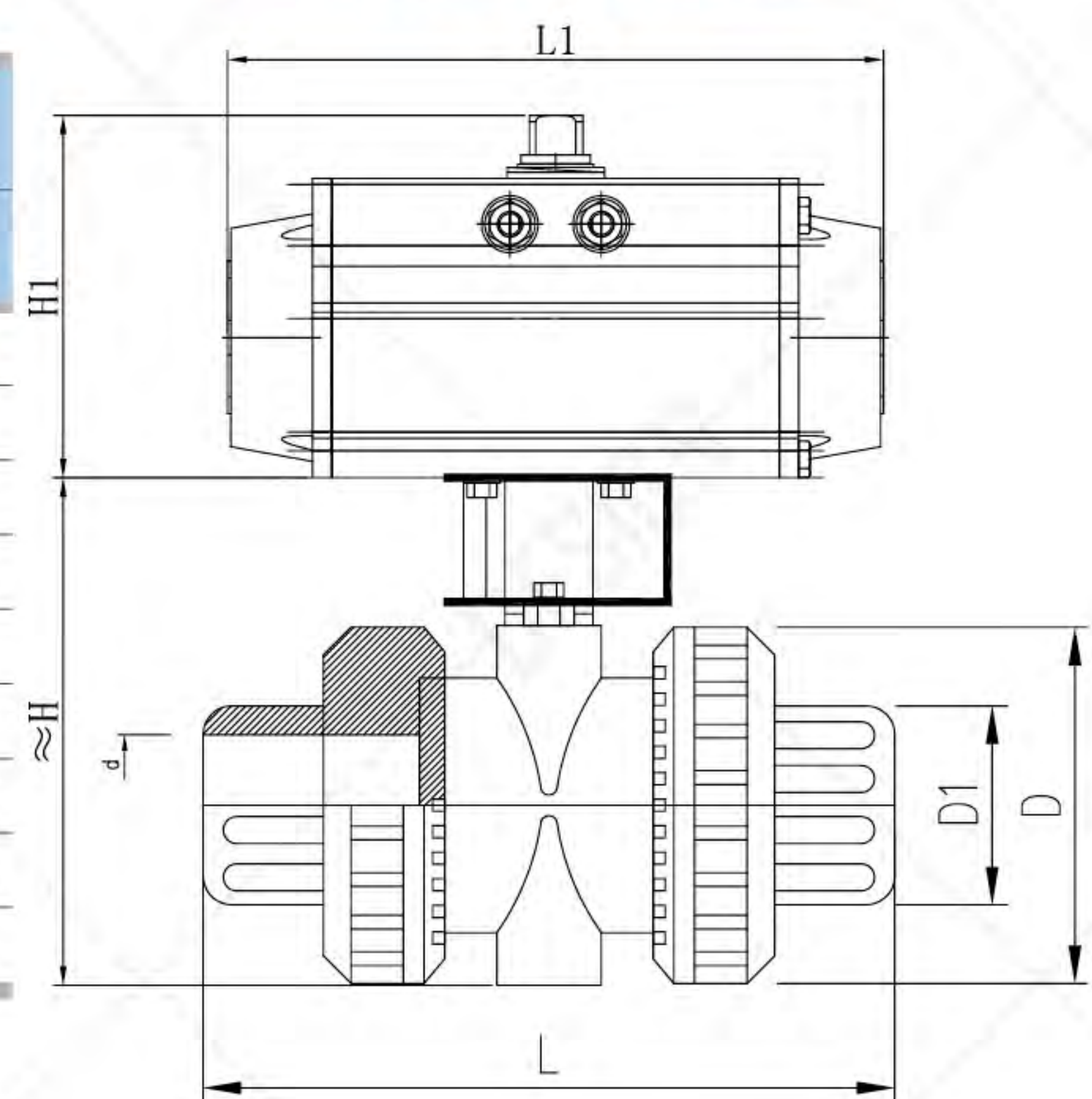
Pneumatically Operated



Electrically Operated

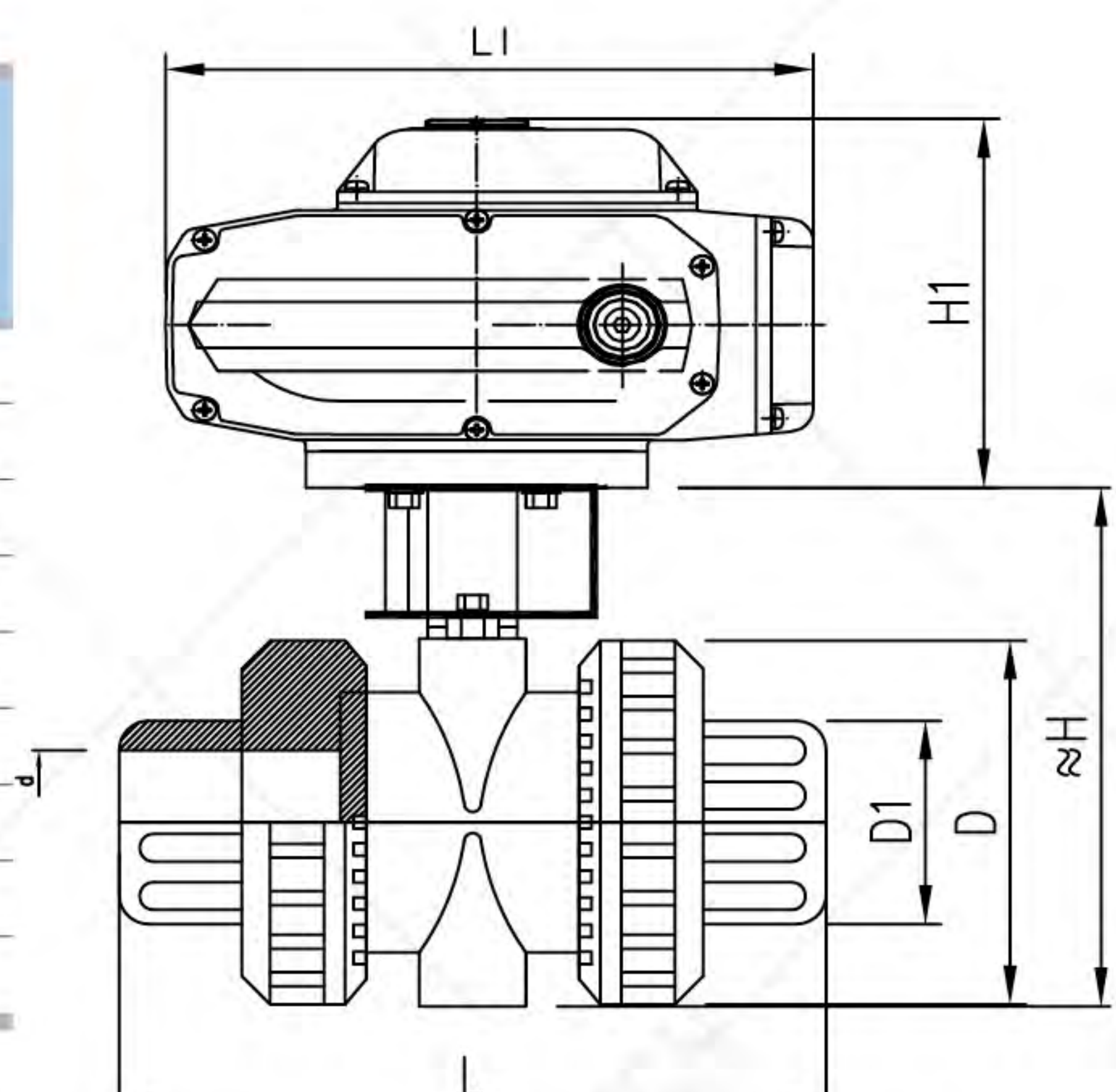
Dimensional Data

| Size | | Φd | ΦD | ΦD1 | L | H | SR | | DA | |
|------|-------|-----|-----|-------|-------|-----|-------|-------|-------|-------|
| DN | In. | | | | | | L1 | H1 | L1 | H1 |
| 15 | 1/2 | 20 | 46 | 30.5 | 112 | 81 | 162 | 100.5 | 139.5 | 89.5 |
| 20 | 3/4 | 25 | 55 | 36.5 | 130 | 90 | 162 | 100.5 | 139.5 | 89.5 |
| 25 | 1 | 32 | 66 | 43.5 | 144 | 101 | 207 | 117 | 162 | 100.5 |
| 32 | 1 1/4 | 40 | 82 | 54 | 168 | 117 | 207 | 117 | 162 | 100.5 |
| 40 | 1 1/2 | 50 | 98 | 64.5 | 173 | 133 | 237.5 | 128.5 | 207 | 117 |
| 50 | 2 | 63 | 120 | 78.5 | 204 | 170 | 237.5 | 128.5 | 207 | 117 |
| 65 | 2 1/2 | 75 | 139 | 92 | 275 | 189 | 271.5 | 141.5 | 237.5 | 128.5 |
| 80 | 3 | 90 | 162 | 109 | 300.5 | 212 | 328 | 171.5 | 271.5 | 141.5 |
| 100 | 4 | 110 | 226 | 145.5 | 330 | 286 | 366 | 183.5 | 328 | 171.5 |



Dimensional Data

| Size | | Φd | ΦD | ΦD1 | L | H | L1 | H1 |
|------|-------|-----|-----|-------|-------|-----|-------|-------|
| DN | In. | | | | | | | |
| 15 | 1/2 | 20 | 46 | 30.5 | 112 | 81 | 165 | 137.5 |
| 20 | 3/4 | 25 | 55 | 36.5 | 130 | 90 | 165 | 137.5 |
| 25 | 1 | 32 | 66 | 43.5 | 144 | 101 | 165 | 137.5 |
| 32 | 1 1/4 | 40 | 82 | 54 | 168 | 117 | 165 | 137.5 |
| 40 | 1 1/2 | 50 | 98 | 64.5 | 173 | 133 | 165 | 137.5 |
| 50 | 2 | 63 | 120 | 78.5 | 204 | 170 | 211.5 | 168.5 |
| 65 | 2 1/2 | 75 | 139 | 92 | 275 | 189 | 259 | 203 |
| 80 | 3 | 90 | 162 | 109 | 300.5 | 212 | 259 | 203 |
| 100 | 4 | 110 | 226 | 145.5 | 330 | 286 | 259 | 203 |



ALL VALVES ARE 100% ELECTRONICALLY TESTED AT 80 PSI IN BOTH THE OPEN AND CLOSED POSITIONS