

## ANSI Flange Ball Valves

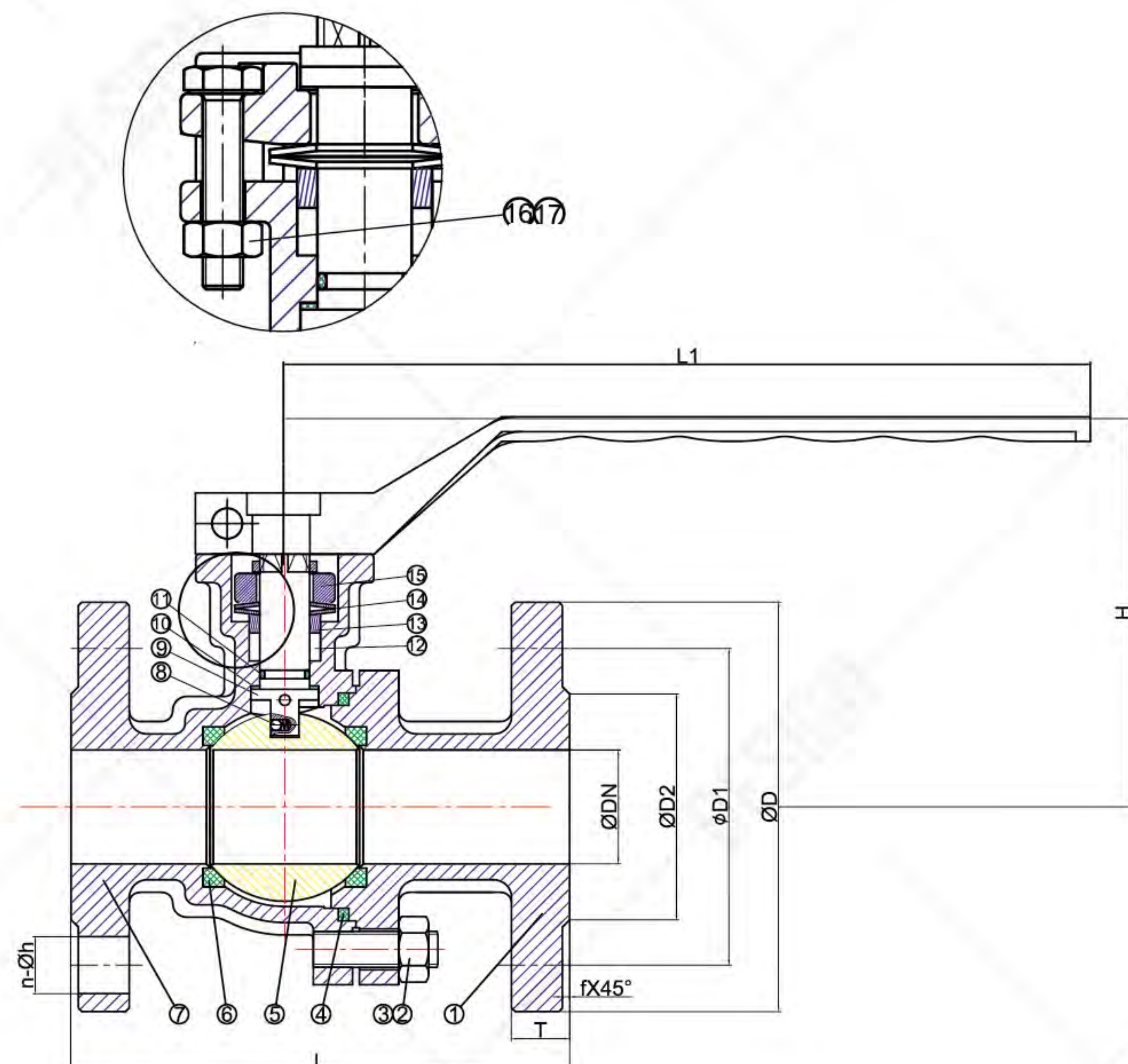
### Features

- > Full port stainless or carbon steel flanged ball valve
- > 1/2" through 8" with 150# ANSI flanges
- > Antistatic device
- > Blowout-proof stem
- > Pressure rating 150LB
- > Temperature rating varies from with o-ring material
- > API 607 fire safe tested and certified
- > Belleville washers and adjustable packing for high cycle applications
- > Inspection and testing to current API598, API 6D



### Material List

NO.	PARTS NAME	MATERIAL	QTY
1	BONNET	DI/WCB/CF8/CF8M	1
2	DOUBLE END STUD	A 193 B8	
3	NUT	A 194 8	
4	BODY GASKET	PTFE	1
5	BALL	SS304/SS316	1
6	SEAT	TFM1600	1
7	BODY	DI/WCB/CF8/CF8M	1
8	ANTISTATIC DEVICE	SS	1
9	STEM	SS304/SS316	1
10	THRUST WASHER	RTFE	1
11	O-RING	VITON	1
12	PACKING	TFM1600	3
13	PACKING GLAND	SS	1
14	DISC SPRING	SS	2
15	PACKING GLAND	WCB/SS	1
16	SCREW	A 193 B8	2
17	NUT	A 194 8	2



### Dimensional Data

Size		D	D1	D2	L	n-Φh	T	f	H	L1	WT (kg)
DN	In.										
15	1/2	90	60.3	34.9	108	4-Φ16	11.6	2	77	165	2.0
20	3/4	100	69.9	42.9	117	4-Φ16	13.2	2	85	165	2.4
25	1	110	79.4	50.8	127	4-Φ16	14.7	2	88.5	196	3.3
32	1 1/4	115	88.9	63.5	140	4-Φ16	16.3	2	101	196	4.2
40	1 1/2	125	98.4	73	165	4-Φ16	17.9	2	115.5	232	6.2
50	2	150	120.7	92.1	178	4-Φ19	19.5	2	122.5	232	8.8
65	2 1/2	180	139.7	104.8	190	4-Φ19	23.3	2	184	300	13.9
80	3	190	152.4	127	203	4-Φ19	24.3	2	192	300	17.6
100	4	230	190.5	157.2	229	8-Φ19	24.3	2	227	400	23.9

### Valve Operator

Lever operation

- Pneumatic or electric actuators available.
- Limit switches, positioners, solenoid valves and many other customer options available.
- Contact FLOWX for appropriate choice and sizing of valve actuators.

ALL VALVES ARE 100% ELECTRONICALLY TESTED AT 80 PSI IN BOTH THE OPEN AND CLOSED POSITIONS



## ANSI Flange Ball Valves

### Features of Actuators

- > Heavy duty Rack and pinion design
- > Spring return or double acting
- > Open and closed adjustment stops
- > True NAMUR accessory and ISO mounting
- > Visual indicator, Top Mount indicator
- > High temperature and corrosion resistant models available
- > Solenoids, limit switches, positioners and other accessories are available
  
- > Fully adjustable limit switches allow for fine control of on-off positions
- > All electric actuators are available for modulating (4-20mA control) or on-off service
- > Motor has thermal overload protection
- > Running Time: 9s/13s/15s/30s/50s/100s/150s
- > Heavy-duty gear train motor with permanent lubrication
- > ISO bottom mounting for direct mount actuation with true ISO valves on most models



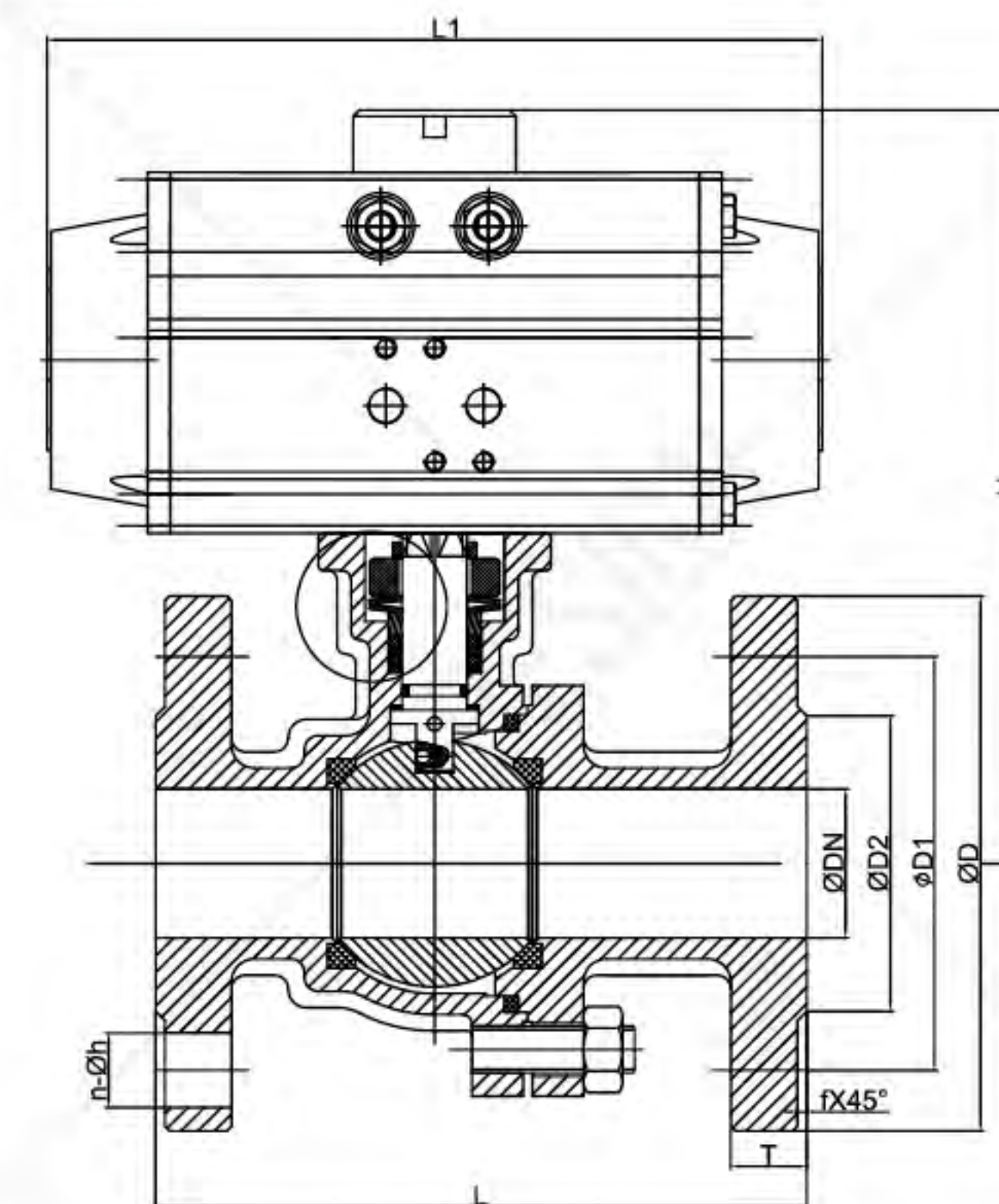
*Pneumatically Operated*



*Electrically Operated*

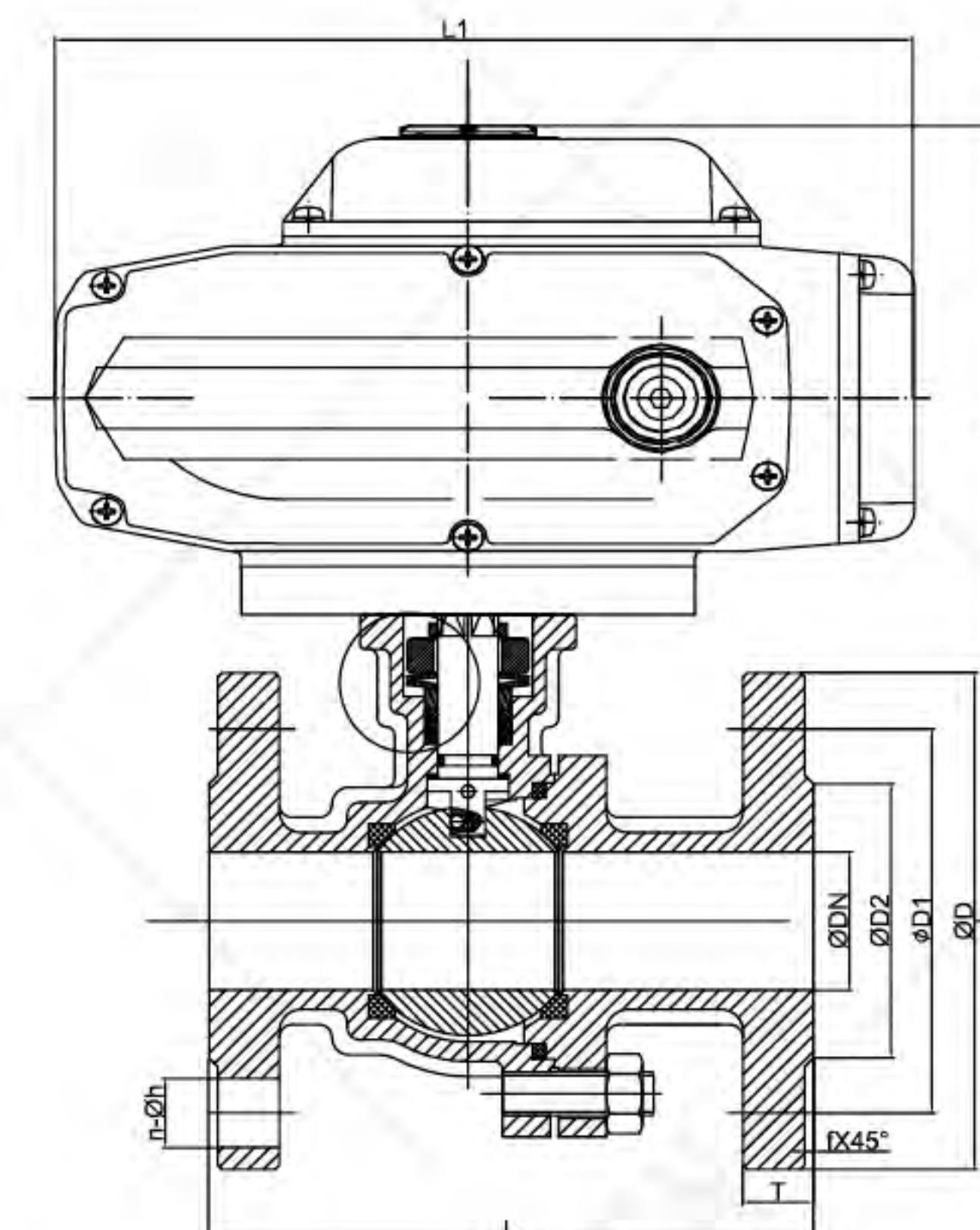
### Dimensional Data

Size		D	D1	D2	L	n-Φh	T	f	SR			DA		
DN	In.								H	L1	WT (kg)	H	L1	WT (kg)
15	½	90	60.3	34.9	108	4-Φ16	11.6	2	151.5	162	3.7	140.5	139.5	2.9
20	¾	100	69.9	42.9	117	4-Φ16	13.2	2	172	207	5.5	155.5	162	3.9
25	1	110	79.4	50.8	127	4-Φ16	14.7	2	180	207	6.3	163.5	162	4.7
32	1¼	115	88.9	63.5	140	4-Φ16	16.3	2	188	207	7.2	171.5	162	5.4
40	1½	125	98.4	73	165	4-Φ16	17.9	2	209.5	237.5	10.3	198	207	8.5
50	2	150	120.7	92.1	178	4-Φ19	19.5	2	229.5	271.5	15.3	216.5	237.5	12.1
65	2½	180	139.7	104.8	190	4-Φ19	23	2	285.5	328	22.8	255.5	271.5	18.8
80	3	190	152.4	127	203	4-Φ19	24.3	2	307.5	366	29.3	295.5	328	25.3
100	4	230	190.5	157.2	229	8-Φ19	24.3	2	353	428	43.7	330.5	366	33.6
125	5	254	216	186	356	8-Φ22.3	24.3	2	401	430	61.9	385	428	54.9



### Dimensional Data

Size		D	D1	D2	L	H	n-Φh	T	f	H	L1	WT (kg)
DN	In.											
15	½	90	60.3	34.9	108	57	4-Φ16	11.6	2	186.5	165	4.3
20	¾	100	69.9	42.9	117	57	4-Φ16	13.2	2	191.5	165	4.7
25	1	110	79.4	50.8	127	56.4	4-Φ16	14.7	2	196	165	5.6
32	1¼	115	88.9	63.5	140	70.3	4-Φ16	16.3	2	208.5	165	6.5
40	1½	125	98.4	73	165	79	4-Φ16	17.9	2	246.5	211.5	10.3
50	2	150	120.7	92.1	178	86.7	4-Φ19	19.5	2	253.5	211.5	12.9
65	2½	180	139.7	104.8	190	114	4-Φ19	23	2	317	259	20.9
80	3	190	152.4	127	203	121	4-Φ19	24.3	2	325	259	24.5
100	4	230	190.5	157.2	229	140	8-Φ19	24.3	2	338	259	30.9



ALL VALVES ARE 100% ELECTRONICALLY TESTED AT 80 PSI IN BOTH THE OPEN AND CLOSED POSITIONS