

■ 结构特点及用途

- 1、全关时手轮按顺时针方向旋转。
- 2、可以安装在管道的任何位置上，介质从下往上流。
- 3、不锈钢截止阀适用于各类腐蚀性介质的管道上，有良好的防腐性和足够的强度。
- 4、合金钢截止阀适用于耐高温的蒸汽、油品管道上，具有耐高温特点。

■ Structure feature and usages

- 1、When fully closed, handwheel rotates clockwise.
- 2、Able to be mounted to any position of the pipeline, the medium flows from down to up.
- 3、Stainless steel made globe valve is of good anti-corrosive property and enough strength and suitable for various pipelines with corrosive medium.
- 4、Alloy steel made globe valve features high-temperature resistance, suitable for high-temperature steam and oil goods pipeline.

■ 设计、制造标准

- 1、设计制造按JB/T 12235-2007
- 3、法兰连接尺寸按：JB/T 79-94
- 4、阀门检查和试验按GB/T 13927-2008

■ Standard for design and manufacture

- 1、Design manufacture according to GB/T 12235-2007
- 2、Flange dimension according to JB/T 79-94
- 3、Valve check and test according to GB/T 13927-2008

■ 试验压力 Test pressure

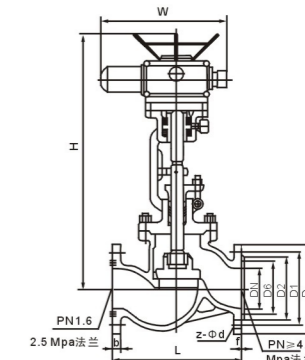
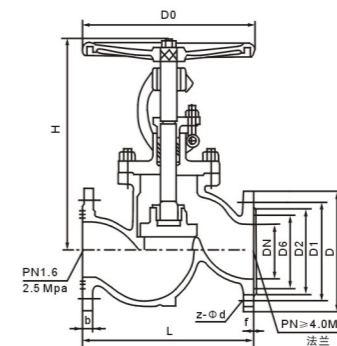
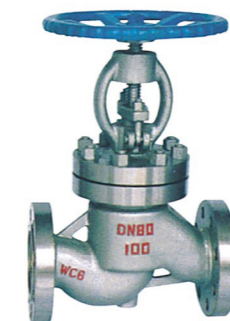
| 公称压力PN (MPa) Nominal Pressure | 1.6 | 2.5 | 4.0 | 6.4 | 10.0 | 16.0 |
|----------------------------------|------|------|-----|------|------|------|
| 壳体强度试验 Shell strength test | 2.4 | 3.75 | 6.0 | 9.6 | 15 | 24 |
| 上密封试验 Back seal test | 1.76 | 2.75 | 4.4 | 7.04 | 11 | 17.6 |
| 密封试验 Seal test (Mpa) | 1.76 | 2.75 | 4.4 | 7.04 | 11 | 17.6 |

■ 使用范围 Applicable

| 产品类型 Product type | 适用介质 Suitable medium | 适用温度 (°C) Suitable medium |
|----------------------|------------------------------------|------------------------------|
| J41W-C型 J941W-C型 | 水、蒸汽、油品 Water, steam, oil goods | ≤425°C |
| J41W-P型 J941W-P型 | 硝酸类 Nitric acid | ≤200°C |
| J41W-R型 J941W-R型 | 醋酸类 Acetic acid | ≤200°C |
| J41Y-I型 J941Y-I型 | 水、蒸汽、油品 Water, steam, oil goods | ≤550°C |

■ 主要零件材料 Material for main parts

| 产品类型 Product type | 零件名称 Part name | | | | | | | |
|----------------------|------------------------|----------------------------|------------------------|---|-----------------------------|---------------------------|---------------------------------|------------------------------|
| | 阀体、阀盖 Body, Bonnet | 阀杆 Valve stem | 阀瓣 Disc | 密封面 Sealing face | 阀杆螺母 Yoke nut | 填料 Packing | 紧固件 Fastener | 手轮 Handwheel |
| J41W-C型 J941W-C型 | 25.WCB | 铬不锈钢Cr. Stainless steel | 2Cr1325 | H: 不锈钢 Y: 钴基硬质合金钢 H: Stainless steel Y: Co-based carbide alloy steel | ZQA19-4 铝青铜 Al bronze | 柔性石墨 Flexible graphite | 优质碳钢 High-grade carbon steel | 可锻铸钢 Forgeable cast-steel |
| J41W-P型 J941W-P型 | 铬镍钛钢 Cr.Ni.Ti.steel | 铬镍钛钢 Cr.Ni.Ti.steel | 铬镍钛钢 Cr.Ni.Ti.steel | 铬镍钛钢 Cr.Ni.Ti.steel | ZQA19-4 铝青铜 Al bronze | 柔性石墨 Flexible graphite | 不锈钢 Stainless steel | 可锻铸钢 Forgeable cast-steel |
| J41W-R型 J941W-R型 | 铬镍钛钢 Cr.Ni.Ti.steel | 铬镍钛钢 Cr.Ni.Ti.steel | 铬镍钛钢 Cr.Ni.Ti.steel | 铬镍钛钢 Cr.Ni.Ti.steel | ZQA19-4 铝青铜 Al bronze | 柔性石墨 Flexible graphite | 不锈钢 Stainless steel | 可锻铸钢 Forgeable cast-steel |
| J41Y-I型 J941Y-I型 | 铬钼钢 Cr.Mo.steel | 铬钼钢 Cr.Mo.steel | 合金钢 Alloy steel | 钴基硬质合金钢 Co-based carbide alloy steel | ZQA19-4 铝青铜 Al bronze | 柔性石墨 Flexible graphite | 合金钢 Alloy steel | 可锻铸钢 Forgeable cast-steel |

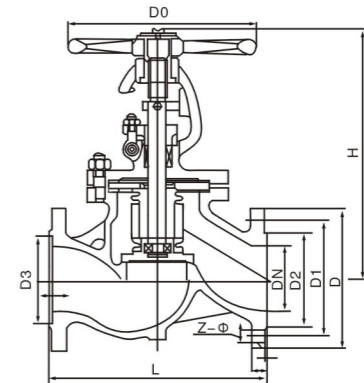


■ 主要外形及连接尺寸 Main external and connecting dimension(mm)

| 公称口径 DN Nominal diameter | J41W-16 J41W-16P J41W-16R J41W-16I J941W-16 J941W-16R J941Y-16I | | | | | | | | | | | | |
|--------------------------------|---|-----|----------------|----------------|----------------|----|--------|----------------|----------------|----------------|-------------------------|----------------|-------------------------|
| | 主要外形尺寸及连接尺寸 (mm) Main external dimensions and connecting dimensions | | | | | | | | | | | | |
| | L | D | D ₁ | D ₂ | b | F | z-φd | H _手 | H _电 | D ₀ | 电动装置 Electric device | | |
| 10 | 130 | 90 | 60 | 40 | 14 | 2 | 4-φ14 | 198 | - | 120 | Z B5 | | |
| 15 | 130 | 95 | 65 | 45 | 14 | 2 | 4-φ14 | 218 | - | 120 | Z B5 | | |
| 20 | 150 | 105 | 75 | 55 | 14 | 2 | 4-φ14 | 258 | - | 140 | Z B5 | | |
| 25 | 160 | 115 | 85 | 65 | 14 | 2 | 4-φ14 | 275 | - | 160 | Z B5 | | |
| 32 | 180 | 135 | 100 | 78 | 16 | 2 | 4-φ18 | 280 | - | 180 | Z B15 | | |
| 40 | 200 | 145 | 110 | 85 | 16 | 3 | 4-φ18 | 330 | - | 200 | Z B15 | | |
| 50 | 230 | 160 | 125 | 100 | 16 | 3 | 4-φ18 | 350 | 645 | 240 | Z B15 | | |
| 65 | 290 | 180 | 145 | 120 | 18 | 3 | 4-φ18 | 355 | 690 | 280 | Z B15 | | |
| 80 | 310 | 195 | 160 | 135 | 20 | 3 | 8-φ18 | 400 | 715 | 280 | Z B15 | | |
| 100 | 350 | 215 | 180 | 155 | 22 | 3 | 8-φ18 | 415 | 770 | 320 | Z B20 | | |
| 125 | 400 | 245 | 210 | 185 | 24 | 3 | 8-φ18 | 460 | 780 | 360 | Z B40 | | |
| 150 | 480 | 280 | 240 | 210 | 26 | 3 | 8-φ23 | 510 | 875 | 400 | Z C45 | | |
| 200 | 600 | 335 | 295 | 265 | 28 | 3 | 12-φ23 | 710 | 967 | 450 | Z C60 | | |
| 250 | 650 | 405 | 355 | 320 | 30 | 3 | 12-φ25 | 786 | - | 500 | Z C90 | | |
| 300 | 750 | 460 | 410 | 375 | 34 | 4 | 16-φ25 | 925 | - | 500 | Z C120 | | |
| 公称口径 DN Nominal diameter | J41W-25 J41W-25P J41W-25R J41W-25I J941W-25 J941W-25R J941Y-25I | | | | | | | | | | | | |
| | 主要外形尺寸及连接尺寸 (mm) Main external dimensions and connecting dimensions | | | | | | | | | | | | |
| | L | D | D ₁ | D ₂ | b | F | z-φd | H _手 | H _电 | D ₀ | 电动装置 Electric device | | |
| 10 | 130 | 90 | 60 | 40 | 16 | 2 | 4-φ14 | 198 | - | 120 | Z B5 | | |
| 15 | 130 | 95 | 65 | 45 | 16 | 2 | 4-φ14 | 218 | - | 120 | Z B5 | | |
| 20 | 150 | 105 | 75 | 55 | 16 | 2 | 4-φ14 | 258 | - | 140 | Z B5 | | |
| 25 | 160 | 115 | 85 | 65 | 16 | 2 | 4-φ14 | 275 | - | 160 | Z B5 | | |
| 32 | 180 | 135 | 100 | 78 | 18 | 2 | 4-φ18 | 280 | - | 180 | Z B15 | | |
| 40 | 200 | 145 | 110 | 85 | 18 | 3 | 4-φ18 | 330 | - | 200 | Z B15 | | |
| 50 | 230 | 160 | 125 | 100 | 20 | 3 | 4-φ18 | 350 | 645 | 240 | Z B15 | | |
| 65 | 290 | 180 | 145 | 120 | 22 | 3 | 8-φ18 | 355 | 690 | 280 | Z B15 | | |
| 80 | 310 | 195 | 160 | 135 | 22 | 3 | 8-φ18 | 400 | 715 | 280 | Z B15 | | |
| 100 | 350 | 230 | 190 | 160 | 24 | 3 | 8-φ23 | 415 | 770 | 320 | Z B20 | | |
| 125 | 400 | 270 | 220 | 188 | 28 | 3 | 8-φ25 | 460 | 780 | 360 | Z B40 | | |
| 150 | 480 | 300 | 250 | 218 | 30 | 3 | 8-φ25 | 510 | 875 | 400 | Z C45 | | |
| 200 | 600 | 360 | 310 | 278 | 34 | 3 | 12-φ25 | 710 | 967 | 400 | Z C60 | | |
| 250 | 650 | 425 | 370 | 332 | 36 | 3 | 12-φ30 | 786 | - | 450 | Z C90 | | |
| 300 | 750 | 485 | 430 | 390 | 40 | 4 | 16-φ30 | 925 | - | 500 | Z C120 | | |
| 公称口径 DN Nominal diameter | J41W-40 J41W-40P J41W-40R J41W-40I J941W-40 J941W-40R J941Y-40I | | | | | | | | | | | | |
| | 主要外形尺寸及连接尺寸 (mm) Main external dimensions and connecting dimensions | | | | | | | | | | | | |
| | L | D | D ₁ | D ₂ | D ₆ | B | f | f ₂ | z-φd | H _手 | H _电 | D ₀ | 电动装置 Electric device |
| 10 | 130 | 90 | 60 | 40 | 35 | 16 | 2 | 4 | 4-φ14 | 198 | - | 120 | Z B5 |
| 15 | 130 | 95 | 65 | 45 | 40 | 16 | 2 | 4 | 4-φ14 | 233 | - | 120 | Z B5 |
| 20 | 150 | 105 | 75 | 55 | 51 | 16 | 2 | 4 | 4-φ14 | 275 | - | 140 | Z B5 |
| 25 | 160 | 115 | 85 | 65 | 58 | 16 | 2 | 4 | 4-φ14 | 285 | - | 160 | Z B5 |
| 32 | 180 | 135 | 100 | 78 | 66 | 18 | 2 | 4 | 4-φ18 | 302 | - | 180 | Z B5 |
| 40 | 200 | 145 | 110 | 85 | 76 | 18 | 3 | 4 | 4-φ18 | 355 | - | 200 | Z B15 |
| 50 | 230 | 160 | 125 | 100 | 88 | 20 | 3 | 4 | 4-φ18 | 373 | 645 | 240 | Z B15 |
| 65 | 290 | 180 | 145 | 120 | 110 | 22 | 3 | 4 | 8-φ18 | 408 | 690 | 280 | Z B15 |
| 80 | 310 | 195 | 160 | 135 | 121 | 22 | 3 | 4 | 8-φ18 | 436 | 715 | 320 | Z B20 |
| 100 | 350 | 230 | 190 | 160 | 150 | 24 | 3 | 4.5 | 8-φ23 | 480 | 770 | 360 | Z B40 |
| 125 | 400 | 270 | 220 | 188 | 176 | 28 | 3 | 4.5 | 8-φ25 | 558 | 782 | 400 | Z C45 |
| 150 | 480 | 300 | 250 | 218 | 204 | 30 | 3 | 4.5 | 8-φ25 | 611 | 875 | 400 | Z C60 |
| 200 | 600 | 375 | 320 | 282 | 260 | 38 | 3 | 4.5 | 12-φ30 | 720 | 1160 | 400 | Z C90 |

■主要外形及连接尺寸 Main external and connecting dimension (mm)

| 公称通径 DN Nominal diameter | L | D | D ₁ | D ₂ | D ₆ | b | f | f ₂ | z-Φd | H _手 | H _电 | D ₀ | 电动装置 Electric device |
|--|-----|-----|----------------|----------------|----------------|----|---|----------------|--------|----------------|----------------|----------------|----------------------------|
| J41Y-64 J41W-64 _R J41Y-64I J941H-64 J941Y-64 _R J941Y-64I | | | | | | | | | | | | | |
| 10 | 170 | 100 | 70 | 50 | 35 | 18 | 2 | 4 | 4-Φ14 | 195 | - | 120 | Z B5 |
| 15 | 170 | 105 | 75 | 55 | 40 | 18 | 2 | 4 | 4-Φ14 | 198 | - | 140 | Z B5 |
| 20 | 190 | 125 | 90 | 68 | 51 | 20 | 2 | 4 | 4-Φ18 | 228 | - | 160 | Z B5 |
| 25 | 210 | 135 | 100 | 78 | 58 | 22 | 2 | 4 | 4-Φ18 | 275 | - | 180 | Z B5 |
| 32 | 230 | 150 | 110 | 82 | 66 | 24 | 2 | 4 | 4-Φ23 | 325 | - | 200 | Z B5 |
| 40 | 260 | 165 | 125 | 95 | 76 | 24 | 3 | 4 | 4-Φ23 | 360 | - | 240 | Z B15 |
| 50 | 300 | 175 | 135 | 105 | 88 | 26 | 3 | 4 | 4-Φ23 | 410 | 710 | 280 | Z B15 |
| 65 | 340 | 200 | 160 | 130 | 110 | 28 | 3 | 4 | 8-Φ23 | 450 | 750 | 320 | Z B15 |
| 80 | 380 | 210 | 170 | 140 | 121 | 30 | 3 | 4 | 8-Φ23 | 485 | 785 | 360 | Z B40 |
| 100 | 430 | 250 | 200 | 168 | 150 | 32 | 3 | 4.5 | 8-Φ25 | 537 | 837 | 400 | Z C45 |
| 125 | 500 | 295 | 240 | 202 | 176 | 36 | 3 | 4.5 | 8-Φ30 | 631 | - | 400 | Z C60 |
| 150 | 550 | 340 | 280 | 240 | 204 | 38 | 3 | 4.5 | 8-Φ34 | 646 | - | 450 | Z C90 |
| 200 | 650 | 405 | 345 | 300 | 260 | 44 | 3 | 4.5 | 12-Φ34 | 813 | - | 500 | Z C120 |
| J41Y-100 J41W-100 _R J41Y-100I J941Y-100 J941W-100 _R J941Y-100I | | | | | | | | | | | | | |
| 10 | 170 | 100 | 70 | 50 | 35 | 20 | 2 | 4 | 4-Φ14 | 198 | - | 120 | Z B5 |
| 15 | 170 | 105 | 75 | 55 | 40 | 20 | 2 | 4 | 4-Φ14 | 202 | - | 140 | Z B5 |
| 20 | 190 | 125 | 90 | 68 | 51 | 22 | 2 | 4 | 4-Φ18 | 228 | - | 160 | Z B5 |
| 25 | 210 | 135 | 100 | 78 | 58 | 24 | 2 | 4 | 4-Φ18 | 250 | - | 180 | Z B15 |
| 32 | 230 | 150 | 110 | 82 | 66 | 24 | 2 | 4 | 4-Φ23 | 326 | - | 220 | Z B15 |
| 40 | 260 | 165 | 125 | 95 | 76 | 26 | 3 | 4 | 4-Φ23 | 359 | - | 240 | Z B15 |
| 50 | 300 | 195 | 145 | 112 | 88 | 28 | 3 | 4 | 4-Φ25 | 414 | 710 | 280 | Z B15 |
| 65 | 340 | 220 | 170 | 138 | 110 | 32 | 3 | 4 | 8-Φ25 | 434 | 750 | 320 | Z B20 |
| 80 | 380 | 230 | 180 | 148 | 121 | 34 | 3 | 4 | 8-Φ25 | 547 | 785 | 400 | Z B30 |
| 100 | 430 | 265 | 210 | 172 | 150 | 38 | 3 | 4.5 | 8-Φ30 | 621 | 837 | 450 | Z C45 |
| 125 | 500 | 310 | 250 | 210 | 176 | 42 | 3 | 4.5 | 8-Φ34 | 732 | - | 450 | Z C60 |
| 150 | 550 | 350 | 290 | 250 | 204 | 46 | 3 | 4.5 | 12-Φ34 | 840 | - | 500 | Z C120 |
| 200 | 650 | 430 | 360 | 312 | 260 | 54 | 3 | 4.5 | 12-Φ41 | 925 | - | 550 | Z C180 |
| J41Y-160 J41W-160 _R J41Y-160I J941Y-160 J941W-160 _R J941Y-160I | | | | | | | | | | | | | |
| 15 | 170 | 110 | 75 | 52 | 40 | 24 | 2 | 4 | 4-Φ18 | 148 | - | 140 | Z B15 |
| 20 | 190 | 130 | 90 | 62 | 51 | 26 | 2 | 4 | 4-Φ23 | 156 | - | 160 | Z B15 |
| 25 | 210 | 140 | 100 | 72 | 58 | 28 | 2 | 4 | 4-Φ23 | 125 | - | 180 | Z B20 |
| 32 | 230 | 165 | 115 | 85 | 66 | 30 | 2 | 4 | 4-Φ25 | 200 | - | 200 | Z B20 |
| 40 | 260 | 175 | 125 | 92 | 76 | 32 | 3 | 4 | 4-Φ27 | 231 | - | 240 | Z B40 |
| 50 | 300 | 215 | 165 | 132 | 88 | 36 | 3 | 4 | 8-Φ25 | 262 | - | 250 | Z C60 |
| 65 | 340 | 245 | 190 | 152 | 110 | 44 | 3 | 4 | 8-Φ30 | 303 | - | 320 | Z C60 |
| 80 | 380 | 260 | 205 | 168 | 121 | 46 | 3 | 4 | 8-Φ30 | 341 | - | 400 | Z C90 |
| 100 | 430 | 300 | 240 | 200 | 150 | 48 | 3 | 4.5 | 8-Φ34 | 485 | - | 450 | Z C120 |



■主要外形及连接尺寸 Main external and connecting dimension (mm)

| 公称通径DN Nominal diameter | L | D | D ₁ | D ₂ | D ₃ | b | f | f ₁ | D ₀ | H | z-Φ |
|-------------------------------|-----|-----|----------------|----------------|----------------|----|---|----------------|----------------|-----|--------|
| WJ41H-1.6(16) | | | | | | | | | | | |
| 15 | 130 | 95 | 65 | 46 | - | 14 | 2 | - | 100 | 236 | 4-Φ14 |
| 20 | 150 | 105 | 75 | 56 | - | 16 | 2 | - | 100 | 242 | 4-Φ14 |
| 25 | 160 | 115 | 85 | 65 | - | 16 | 3 | - | 125 | 286 | 4-Φ14 |
| 32 | 180 | 140 | 100 | 78 | - | 18 | 3 | - | 125 | 295 | 4-Φ18 |
| 40 | 200 | 150 | 110 | 85 | - | 18 | 3 | - | 150 | 330 | 4-Φ18 |
| 50 | 230 | 165 | 125 | 100 | - | 20 | 3 | - | 150 | 350 | 4-Φ18 |
| 65 | 290 | 185 | 145 | 120 | - | 22 | 3 | - | 200 | 400 | 4-Φ18 |
| 80 | 310 | 200 | 160 | 135 | - | 24 | 3 | - | 200 | 430 | 8-Φ18 |
| 100 | 350 | 215 | 180 | 155 | - | 24 | 3 | - | 250 | 465 | 8-Φ18 |
| 125 | 400 | 245 | 210 | 185 | - | 26 | 3 | - | 250 | 505 | 8-Φ18 |
| 150 | 480 | 280 | 240 | 210 | - | 28 | 3 | - | 300 | 613 | 8-Φ23 |
| 200 | 600 | 335 | 295 | 265 | - | 30 | 3 | - | 420 | 714 | 12-Φ23 |
| 250 | 730 | 405 | 355 | 320 | - | 32 | 3 | - | 500 | 810 | 12-Φ25 |
| 300 | 850 | 460 | 410 | 375 | - | 34 | 4 | - | 670 | 910 | 12-Φ25 |
| WJ41H-2.5(25) | | | | | | | | | | | |
| 15 | 130 | 95 | 65 | 46 | - | 14 | 2 | - | 100 | 236 | 4-Φ14 |
| 20 | 150 | 105 | 75 | 56 | - | 16 | 2 | - | 100 | 242 | 4-Φ14 |
| 25 | 160 | 115 | 85 | 65 | - | 16 | 3 | - | 125 | 286 | 4-Φ14 |
| 32 | 180 | 140 | 100 | 76 | - | 18 | 3 | - | 125 | 295 | 4-Φ18 |
| 40 | 200 | 150 | 110 | 84 | - | 18 | 3 | - | 150 | 330 | 4-Φ18 |
| 50 | 230 | 165 | 125 | 99 | - | 20 | 3 | - | 150 | 350 | 4-Φ18 |
| 65 | 290 | 185 | 145 | 118 | - | 22 | 3 | - | 200 | 400 | 8-Φ18 |
| 80 | 310 | 200 | 160 | 132 | - | 24 | 3 | - | 200 | 430 | 8-Φ18 |
| 100 | 350 | 235 | 190 | 156 | - | 24 | 3 | - | 250 | 465 | 8-Φ22 |
| 125 | 400 | 270 | 200 | 184 | - | 26 | 3 | - | 250 | 505 | 8-Φ26 |
| 150 | 480 | 300 | 250 | 211 | - | 28 | 3 | - | 300 | 613 | 8-Φ26 |
| 200 | 600 | 360 | 320 | 274 | - | 30 | 3 | - | 420 | 714 | 12-Φ26 |
| 250 | 730 | 425 | 370 | 330 | - | 32 | 3 | - | 500 | 810 | 12-Φ30 |
| 300 | 850 | 485 | 430 | 389 | - | 34 | 4 | - | 670 | 910 | 16-Φ30 |
| WJ41H-4.0(40) | | | | | | | | | | | |
| 15 | 130 | 95 | 65 | 45 | 40 | 16 | 2 | 4 | 100 | 236 | 4-Φ14 |
| 20 | 150 | 105 | 75 | 55 | 51 | 16 | 2 | 4 | 100 | 242 | 4-Φ14 |
| 25 | 160 | 115 | 85 | 65 | 58 | 16 | 2 | 4 | 125 | 286 | 4-Φ14 |
| 32 | 180 | 135 | 100 | 78 | 66 | 18 | 2 | 4 | 125 | 295 | 4-Φ18 |
| 40 | 200 | 145 | 110 | 85 | 76 | 18 | 3 | 4 | 150 | 330 | 4-Φ18 |
| 50 | 230 | 160 | 125 | 100 | 88 | 18 | 3 | 4 | 150 | 350 | 4-Φ18 |
| 65 | 290 | 180 | 145 | 120 | 110 | 20 | 3 | 4 | 200 | 400 | 8-Φ18 |
| 80 | 310 | 195 | 160 | 135 | 121 | 22 | 3 | 4 | 200 | 430 | 8-Φ18 |
| 100 | 350 | 230 | 190 | 160 | 150 | 24 | 3 | 4.5 | 250 | 465 | 8-Φ23 |
| 125 | 400 | 270 | 220 | 188 | 176 | 28 | 3 | 4.5 | 250 | 505 | 8-Φ25 |
| 150 | 480 | 300 | 250 | 218 | 204 | 30 | 3 | 4.5 | 300 | 613 | 8-Φ25 |
| 200 | 600 | 385 | 320 | 252 | 260 | 38 | 3 | 4.5 | 420 | 714 | 12-Φ32 |
| 250 | 730 | 445 | 385 | 345 | 313 | 42 | 3 | 4.5 | 500 | 810 | 12-Φ34 |
| 300 | 850 | 510 | 450 | 408 | 364 | 46 | 4 | 4.5 | 670 | 910 | 16-Φ34 |

■ 特点及用途

该产品严格按API标准进行设计、制造和验收，结构紧凑、密封可靠、操作灵活，适用于石油化工、电力、冶金、纺织等工业部门。

■ Features and usahe:

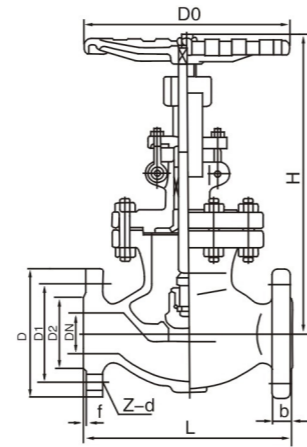
This product is produced in accordance with API standard in design, manufacturing and checking;it is compact in pattern, reliable in sealing and easy to operate;it is used in petroleum,chemical,electric power,textile, metallregy and other industries.

■ 试验压力 Test pressure

| 试验压力 (Mpa) Testpressure | | 公称压力 (Lb) Nominal pressure | | |
|-------------------------------|------------|------------------------------|-------|-------|
| | | 150Lb | 300Lb | 600Lb |
| 壳体强度试验 Shell strength test | 水 Water | 3.1 | 7.8 | 15 |
| 高压密封试验 Seal test | | 2.2 | 5.6 | 11 |
| 上密封试验 Back sealtest | | 2.2 | 5.6 | 11 |
| 低压密封试验 Seal test | 空气Air | 0.5~0.7 | | |

■ 主要零件材料及适用工况 Material for main parts

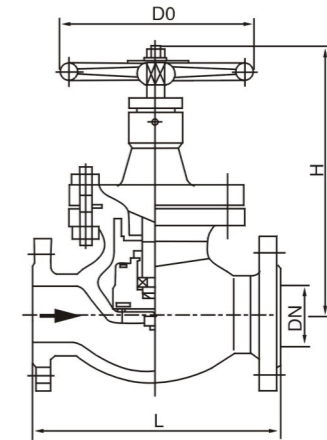
| 阀体材料 Material valve | WCB(C) | CF8(P) | CF8M(R) | WC6 WC9(V) | CF3(P) | CF3M(R) |
|-----------------------------|----------------------------|--------------------|--------------------|----------------------|-------------------|-------------------|
| 工作温度 Working temperature | ≤425 | ≤275 | ≤275 | ≤550 | ≤200 | ≤200 |
| 适用介质 Applicable medium | 水、蒸汽、油品 Water,steam,oil | 硝酸类 Nitric acid | 醋酸类 Acetic acid | 水、蒸汽 Water, steam | 酸碱 Acid alkali | 酸碱 Acid alkali |



设计标准Design standard API600法兰标准化Flange standard ANSI B 16.5 结构长度Fale to face ANSI B16.10试验标准Test standard API598

■ 主要尺寸及重量 Main dimensions and weight

| 公称通径Nominal diameter | | 单位 Unit | 主要外形尺寸和连接尺寸 (mm) Main external and connecting dimensions | | | | | | | | | 重量(kg) Weight |
|----------------------|-----|------------|--|-------|----------------|----------------|------|------|----------|----------------|-------|------------------|
| in | mm | | L | D | D ₁ | D ₂ | b | f | z-Φd | D ₀ | H | |
| API 150Lb | | | | | | | | | | | | |
| 2" | 50 | in | 8.00 | 6.00 | 4.75 | 3.62 | 0.75 | 0.06 | 4-Φ0.75 | 7.09 | 13.78 | 24 |
| | | mm | 203 | 152 | 120.7 | 92 | 19.5 | 1.6 | 4-Φ19 | 180 | 350 | |
| 3" | 80 | in | 9.5 | 7.50 | 6.00 | 5.00 | 0.94 | 0.06 | 4-Φ0.75 | 11.02 | 15.91 | 38 |
| | | mm | 241 | 190.5 | 152.5 | 127 | 24 | 1.6 | 4-Φ19 | 280 | 404 | |
| 4" | 100 | in | 11.50 | 9.00 | 7.50 | 6.19 | 0.94 | 0.06 | 8-Φ0.75 | 11.02 | 17.87 | 54 |
| | | mm | 292 | 229 | 190.5 | 157 | 24 | 1.6 | 8-Φ19 | 280 | 454 | |
| 6" | 150 | in | 16.00 | 11.00 | 9.50 | 8.50 | 1.00 | 0.06 | 8-Φ0.88 | 12.60 | 19.33 | 104 |
| | | mm | 406 | 279 | 241.5 | 216 | 25.5 | 1.6 | 8-Φ22.5 | 320 | 491 | |
| 8" | 200 | in | 19.50 | 13.50 | 11.75 | 10.62 | 1.12 | 0.06 | 8-Φ0.88 | 14.17 | 21.54 | 133 |
| | | mm | 495 | 343 | 298.5 | 270 | 29 | 1.6 | 8-Φ22.5 | 360 | 547 | |
| API 300Lb | | | | | | | | | | | | |
| 2" | 50 | in | 10.50 | 6.50 | 5.00 | 3.62 | 0.88 | 0.06 | 8-Φ0.75 | 7.78 | 16.30 | 34 |
| | | mm | 267 | 165 | 127 | 92 | 22.5 | 1.6 | 8-Φ19 | 200 | 414 | |
| 2 1/2" | 65 | in | 11.50 | 7.50 | 5.88 | 4.12 | 1.00 | 0.06 | 8-Φ0.88 | 9.45 | 18.35 | 46 |
| | | mm | 292 | 190.5 | 149.3 | 1.5 | 25.5 | 1.6 | 8-Φ22.5 | 240 | 466 | |
| 3" | 80 | in | 12.50 | 8.25 | 6.62 | 5.00 | 1.12 | 0.06 | 8-Φ0.88 | 11.02 | 18.35 | 56 |
| | | mm | 318 | 210 | 168 | 127 | 29 | 1.6 | 8-Φ22.5 | 280 | 466 | |
| 4" | 100 | in | 14.00 | 10.00 | 7.88 | 6.19 | 1.25 | 0.06 | 8-Φ0.88 | 12.60 | 20.79 | 80 |
| | | mm | 356 | 254 | 200 | 157 | 32 | 1.6 | 8-Φ22.5 | 320 | 528 | |
| 6" | 150 | in | 17.50 | 12.50 | 10.62 | 8.50 | 1.44 | 0.06 | 12-Φ0.88 | 17.32 | 26.70 | 154 |
| | | mm | 445 | 317.5 | 269.7 | 216 | 37 | 1.6 | 12-Φ22.5 | 440 | 678 | |
| 8" | 200 | in | 22 | 15 | 13 | 10.62 | 1.62 | 0.06 | 12-Φ100 | 19.68 | 29.5 | 310 |
| | | mm | 559 | 381 | 330 | 270 | 41 | 1.6 | | 500 | 750 | |
| API 600Lb | | | | | | | | | | | | |
| 2" | 50 | in | 11.5 | 6.5 | 5 | 3.62 | 1 | 1 | 8-Φ0.75 | 9.78 | 16.93 | 32 |
| | | mm | 292 | 165 | 127 | 92.1 | 26 | 26 | 8-Φ20 | 250 | 430 | |
| 3" | 80 | in | 14 | 8.25 | 6.62 | 5 | 1.25 | 1.25 | 8-Φ0.97 | 14 | 20.87 | 60 |
| | | mm | 356 | 210 | 168.3 | 127 | 32 | 32 | 8-Φ23 | 355 | 530 | |
| 4" | 100 | in | 17 | 10.75 | 8.5 | 6.18 | 1.5 | 1.5 | 8-Φ1.00 | 17.75 | 25.56 | 100 |
| | | mm | 432 | 273 | 216 | 157.2 | 38.1 | 38.1 | 8-Φ25 | 450 | 650 | |
| 6" | 150 | in | 22.00 | 14.00 | 11.50 | 8.5 | 1.87 | 1.87 | 12-Φ1.12 | 22.00 | 33.43 | 190 |
| | | mm | 559 | 356 | 292 | 216 | 48 | 48 | 12-Φ29 | 560 | 850 | |
| 8" | 200 | in | 26.00 | 16.50 | 13.75 | 10.62 | 2.18 | 2.18 | 12-Φ1.25 | 24.81 | 41.31 | 310 |
| | | mm | 660 | 419 | 350 | 270 | 55.6 | 55.6 | 12-Φ32 | 630 | 1050 | |



■ 主要性能规范 Chief property and specification

| 型号 Type | 公称压力PN (MPa) Noninal pressure | 适用温度 (°C) Applicable temperature | 适用介质 Applicable medium | 材料 Material | | | | | |
|------------|------------------------------------|---------------------------------------|---------------------------|----------------------|----------------|--------------|--------------------|-----------|------------------|
| | | | | 阀体、阀盖 Body、Bonnet | 阀瓣Disc | 密封面seal ring | 阀杆stem | 填料Packing | 阀杆螺母 Yoke nut |
| J41B-25 | 2.5 | -40~150 | 氨、氨液 | 碳钢Carbon steel | 碳钢Carbon steel | 巴氏合金 | 不锈钢Stainless steel | 聚四氟乙烯 | 铜合金 |

■ 主要外形及连接尺寸 Main external and connecting dimension(mm)

| 型号 Type | 公称通径DN Noninal diameter | L | H | D | D ₁ | D ₂ | b | f | z-Φd | D ₀ |
|------------|----------------------------|-----|-----|-----|----------------|----------------|----|--------|--------|----------------|
| J41B-16 | 15 | 130 | 207 | 95 | 65 | 45 | 16 | 2 | 4-Φ14 | 120 |
| | 20 | 150 | 217 | 105 | 75 | 55 | 16 | 2 | 4-Φ14 | 140 |
| | 25 | 160 | 219 | 115 | 5 | 65 | 16 | 2 | 4-Φ14 | 160 |
| | 32 | 190 | 280 | 135 | 100 | 78 | 18 | 2 | 4-Φ18 | 180 |
| | 40 | 200 | 330 | 145 | 110 | 85 | 18 | 3 | 4-Φ18 | 200 |
| | 50 | 230 | 350 | 160 | 125 | 100 | 20 | 3 | 4-Φ18 | 240 |
| | 65 | 290 | 400 | 180 | 145 | 120 | 22 | 3 | 4-Φ18 | 280 |
| | 80 | 310 | 430 | 195 | 160 | 135 | 22 | 3 | 8-Φ18 | 320 |
| | 100 | 350 | 465 | 215 | 180 | 155 | 24 | 3 | 8-Φ18 | 360 |
| | 125 | 400 | 502 | 245 | 210 | 185 | 28 | 3 | 8-Φ18 | 400 |
| J41B-25 | 150 | 480 | 560 | 280 | 240 | 210 | 30 | 3 | 8-Φ23 | 440 |
| | 200 | 600 | 580 | 335 | 295 | 265 | 34 | 4 | 12-Φ23 | 480 |
| | 15 | 130 | 207 | 95 | 65 | 45 | 16 | 2 | 4-Φ14 | 120 |
| | 20 | 150 | 217 | 105 | 75 | 55 | 16 | 2 | 4-Φ14 | 140 |
| | 25 | 160 | 219 | 115 | 5 | 65 | 16 | 2 | 4-Φ14 | 160 |
| | 32 | 190 | 280 | 135 | 100 | 78 | 18 | 2 | 4-Φ18 | 180 |
| | 40 | 200 | 330 | 145 | 110 | 85 | 18 | 3 | 4-Φ18 | 200 |
| | 50 | 230 | 350 | 160 | 125 | 100 | 20 | 3 | 4-Φ18 | 240 |
| | 65 | 290 | 400 | 180 | 145 | 120 | 22 | 3 | 8-Φ18 | 280 |
| | 80 | 310 | 430 | 195 | 160 | 135 | 22 | 3 | 8-Φ18 | 320 |
| 100 | 350 | 465 | 230 | 190 | 160 | 24 | 3 | 8-Φ23 | 360 | |
| 125 | 400 | 502 | 270 | 220 | 88 | 28 | 3 | 8-Φ25 | 400 | |
| 150 | 480 | 560 | 300 | 250 | 218 | 30 | 3 | 8-Φ25 | 440 | |
| 200 | 600 | 580 | 360 | 310 | 278 | 34 | 4 | 12-Φ30 | 480 | |