

Ball Valve

Product Summary



World-Class
Valve Supplier



■ Company Profile

FLOWX VALVE is a global manufacturer of highly engineered valves, actuators and accessories that helping our customers with their flow control requirements. Our competitive valve control solutions allow you to get the best possible performance from your valves.

With over 12 years of continued success and outstanding growth, FLOWX VALVE has become one of the premier butterfly valve, ball valve, pneumatic actuator manufacturers in China, and the largest automatic valve manufacturer in China.

FLOWX VALVE will ensure best possible valve performance and compliance with environmental regulations. FLOWX VALVE are widely used in the following sectors with its products and services:

- Water treatment industries
- Pharmaceutical and biotechnology industries
- Food and beverage industries
- Pulp and paper industries
- Chemical industry and environmental systems
- Processing industries
- Power generation
- Medical systems

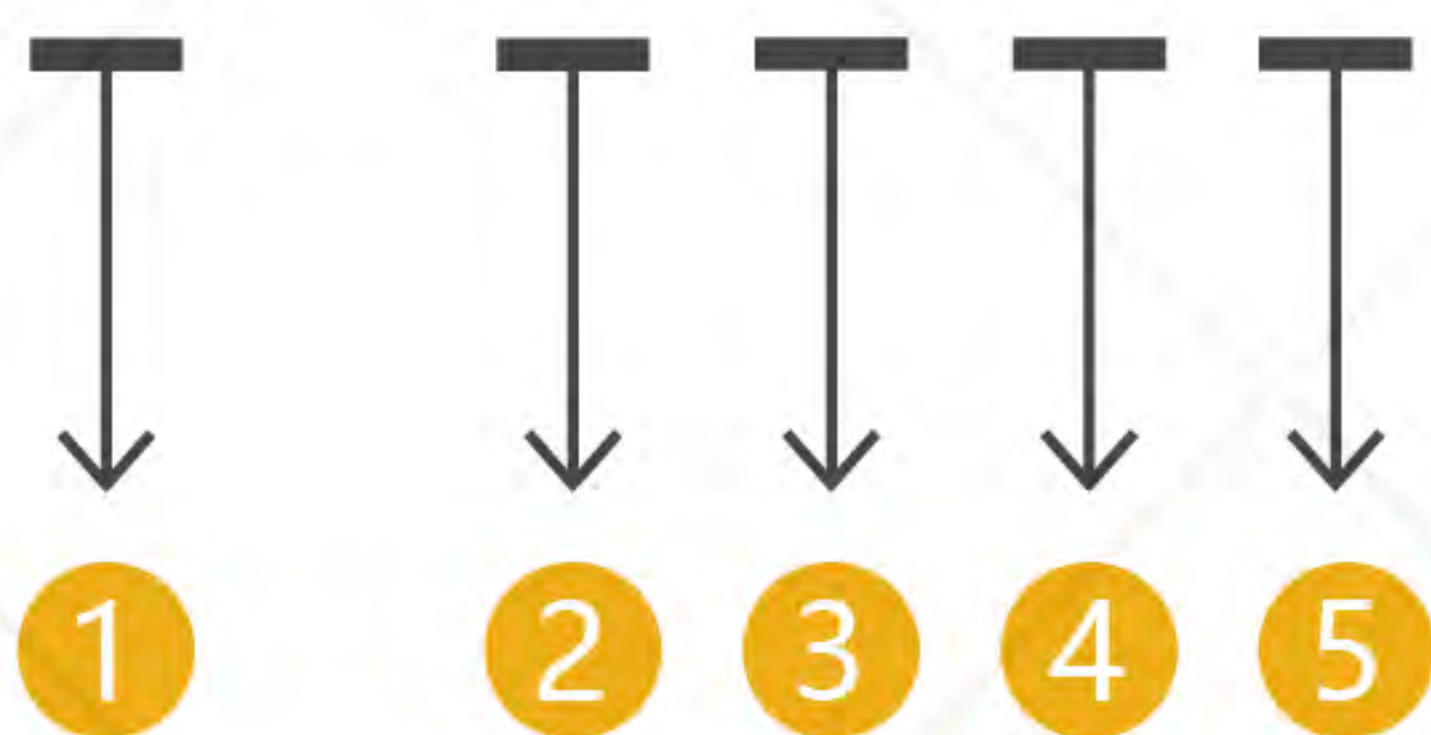
For more information about the products features within this summary, or our products, please contact us, listed on the back cover of this document, or visit us at www.flowxvalve.com.

■ Contents

3-Piece Thread Ball Valves	1
2-Piece Thread Ball Valves	3
ANSI Flange Ball Valves	5
GB Flange Ball Valves	7
3-Piece Clamp Ball Valves	9
Butt Welding Ball Valves	11
Socket Welding Ball Valves	13
V-Type Flange Ball Valves	15
V-Type Wafer Type Ball Valves	17
Thin Type Ball Valves	19
3-Way Thread Ball Valves	21
3-Way Flange Ball Valves	23
True Union Ball Valves.....	25
3-Way True Union Ball Valves	27

■ Product Coding

FP200 0 - 3 3 E 3



1 Operation

0 Pneumatic(DA)
 0S Pneumatic(SR)
 1 Lever
 2 Gear
 3 Electric

2 Connection

1 Wafer
 2 Flange
 3 Thread
 4 Weld
 5 Clamp
 6 LT
 7 True Union

3 Seat Material

1 EPDM
 2 NBR
 3 PTFE
 4 VITION
 5 FPM
 6 RPTFE
 7 SS304
 8 Alloy Steel
 9 Hard Alloy
 J 1.4529

4 Ball Material

E SS304
 F SS316
 G UPVC
 H CPVC
 I WCB
 J Ceramics
 K PP

5 Body Material

1 Ductile Iron
 2 WCB
 3 SS304
 4 Aluminium Alloy
 5 SS316
 6 UPVC
 7 PP
 8 CPVC

3-Piece Thread Ball Valves

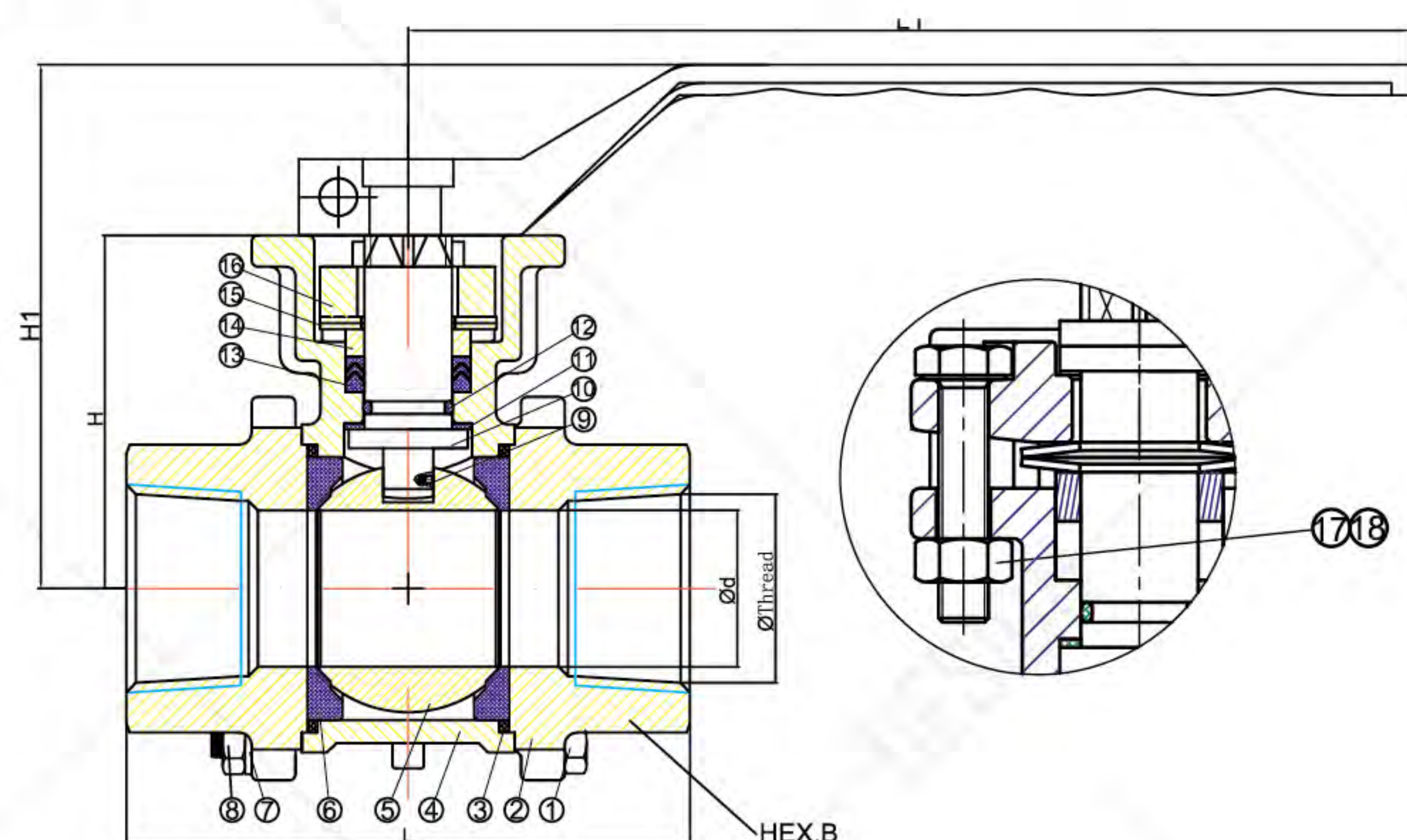
Features

- > Each valves comply with ISO 5211
- > Full port stainless steel 3-piece ball valve
1/4" through 4" NPT
- > Antistatic device
- > Blowout-proof stem
- > Pressure rating 1000 wog
- > Temperature rating varies from with o-ring material
- > Threaded End Connections meet ASME B1.20.1
NPT, DIN 2999/ 259, ISO 228/1, JIS B 0203
- > Inspection and testing to current API598, EN1226



Material List

NO.	PARTS NAME	MATERIAL	QTY
1	BOLT	A 193 B8	4
2	BONNET	CF8/CF8M	1
3	BODY GASKET	TFM1600	1
4	BODY	CF8/CF8M	1
5	BALL	SS304/SS316	1
6	SEAT	TFM1600	1
7	SPRING WASHER	SS	1
8	NUT	A 194 8	4
9	ANTISTATIC DEVICE	SS	1
10	STEM	SS316	1
11	THRUST WASHER	RTFE	1
12	O-RING	VITON	1
13	PACKING	TFM1600	3
14	PACKING RING	SS	1
15	DISC SPRING	SS	2
16	PACKING GLAND	SS	1
17	BOLT	A 193 B8	2
18	NUT	A 193 8	2



Dimentional Data

Size		d	L	H	HEX.B	L1	H1	THREAD
DN	In.							
15	1/2	15	89	57	28	165	85	NPT BSP PT DIN etc
20	3/4	20	89	57	34.5	165	85	
25	1	25	90	56.4	46	196	86.4	
32	1 1/4	32	110	70.3	52	196	100.3	
40	1 1/2	38	120	79	58.5	232	116.5	
50	2	50	140	86.7	71.5	232	124.2	
65	2 1/2	64	180	114	86.5	300	184	
80	3	72	205	121	101	300	191	
100	4	100	240	140	128	400	232	

Valve Operator

Lever operation

- Pneumatic or electric actuators available.
- Limit switches, positioners, solenoid valves and many other customer options available.
- Contact FLOWX for appropriate choice and sizing of valve actuators.

ALL VALVES ARE 100% ELECTRONICALLY TESTED AT 80 PSI IN BOTH THE OPEN AND CLOSED POSITIONS

3-Piece Thread Ball Valves

Features of Actuators

- > Heavy duty Rack and pinion design
- > Spring return or double acting
- > Open and closed adjustment stops
- > True NAMUR accessory and ISO mounting
- > Visual indicator, Top Mount indicator
- > High temperature and corrosion resistant models available
- > Solenoids, limit switches, positioners and other accessories are available

- > Fully adjustable limit switches allow for fine control of on-off positions
- > All electric actuators are available for modulating (4-20mA control) or on-off service
- > Motor has thermal overload protection
- > Running Time: 9s/13s/15s/30s/50s/100s/150s
- > Heavy-duty gear train motor with permanent lubrication
- > ISO bottom mounting for direct mount actuation with true ISO valves on most models



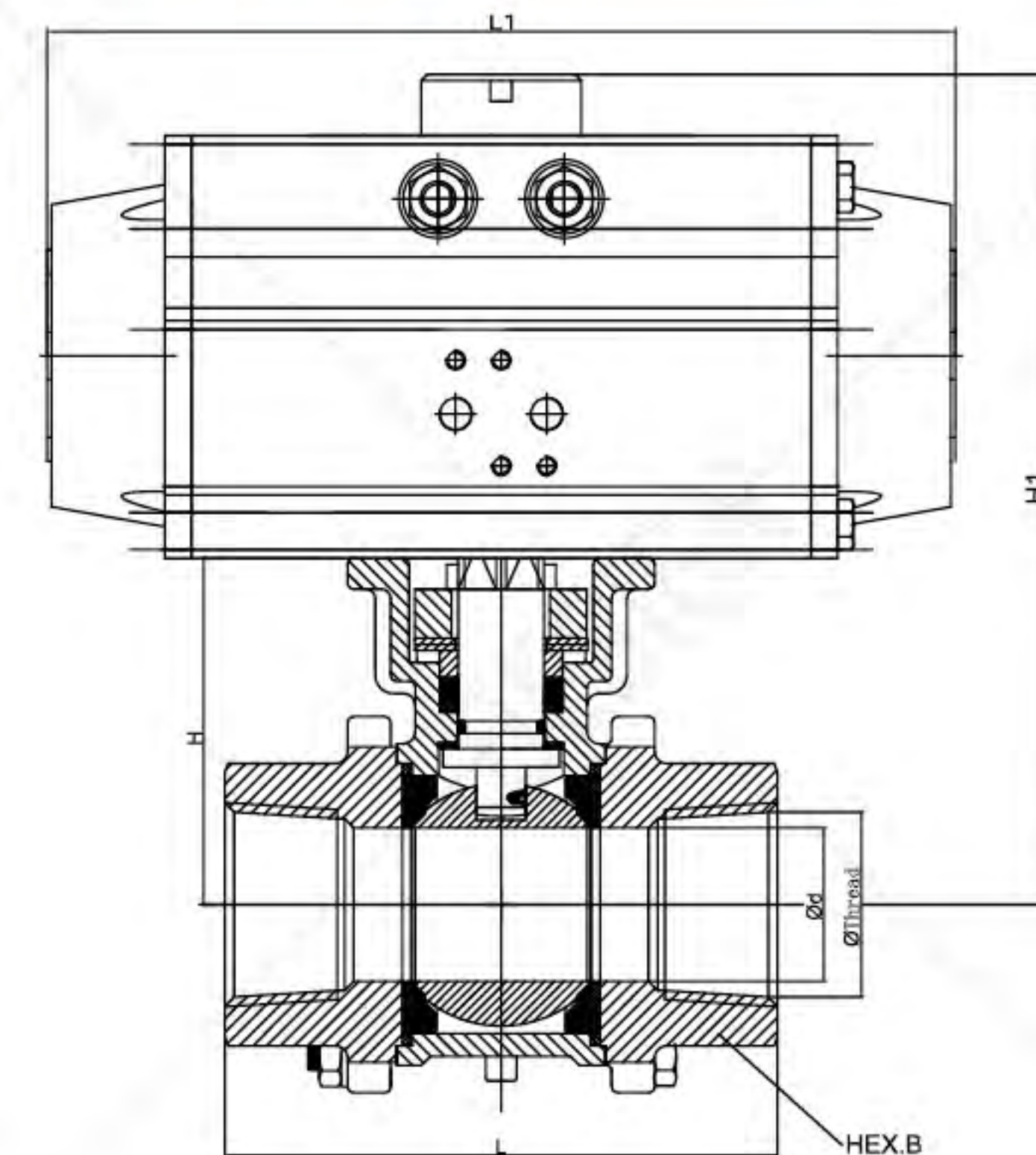
Pneumatically Operated



Electrically Operated

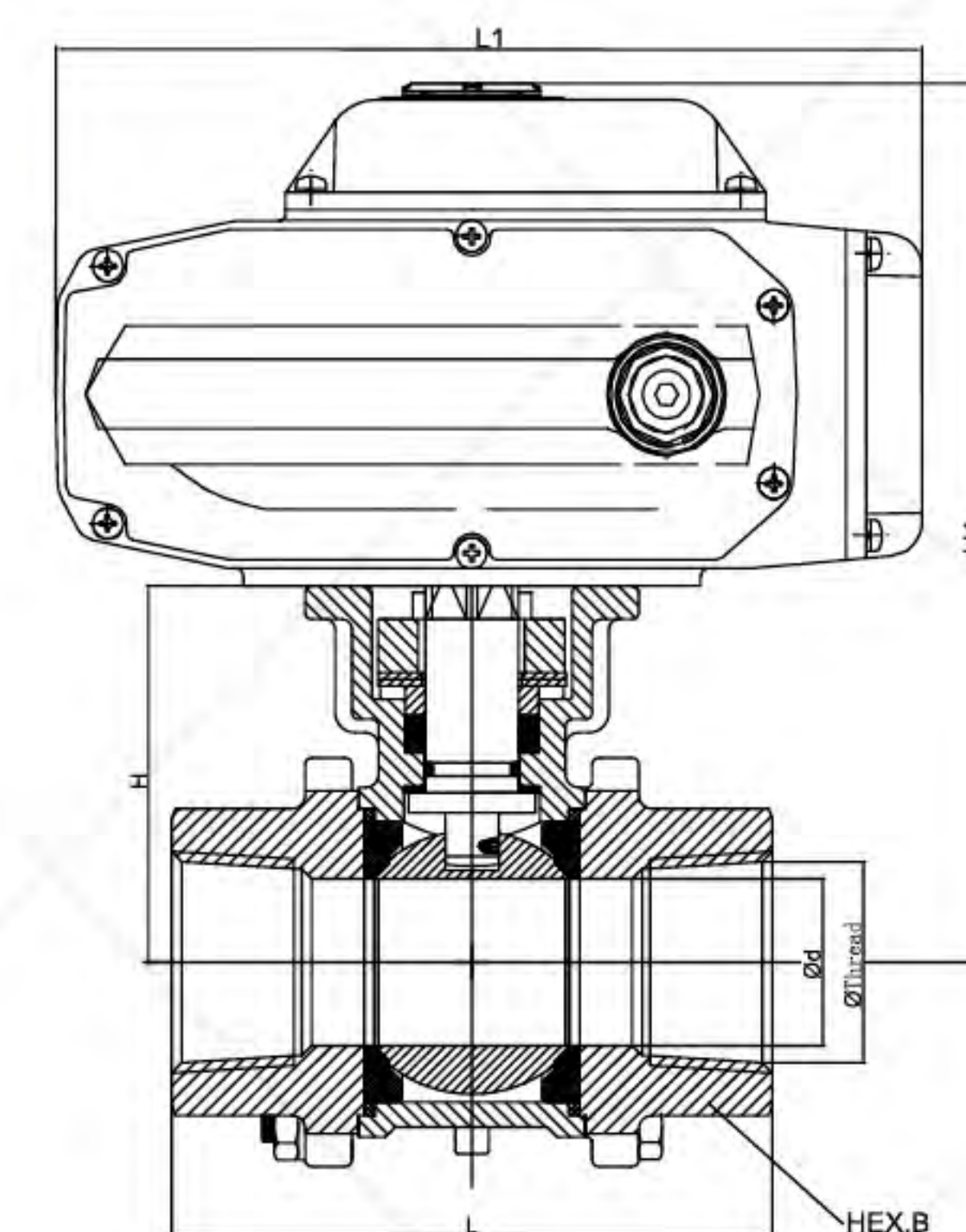
Dimensional Data

Size		d	L	H	HEX.B	SR		DA		THREAD
DN	In.					H1	L1	H1	L1	
15	1/2	15	89	57	28	145.5	162	134.5	139.5	NPT BSP PT DIN etc
20	3/4	20	89	57	34.5	145.5	162	134.5	139.5	
25	1	25	90	56.4	46	161.4	207	144.9	162	
32	1 1/4	32	110	70.3	52	175.3	207	158.8	162	
40	1 1/2	38	120	79	58.5	195.5	237.5	184	207	
50	2	50	140	86.7	71.5	203.2	237.5	191.7	207	
65	2 1/2	64	185	114	86.5	240.5	271.5	230.5	237.5	
80	3	72	205	121	101	280.5	328	250.5	271.5	
100	4	100	240	140	128	311.5	366	299.5	328	



Dimensional Data

Size		d	L	H	HEX.B	L1	H1	THREAD
DN	In.							
15	1/2	15	89	57	28	165	194.5	NPT BSP PT DIN etc
20	3/4	20	89	57	34.5	165	194.5	
25	1	25	90	56.4	46	165	193.5	
32	1 1/4	32	110	70.3	52	165	207.8	
40	1 1/2	38	120	79	58.5	165	216.5	
50	2	50	140	86.7	71.5	211.5	255.2	
65	2 1/2	64	185	114	86.5	259	317	
80	3	72	205	121	101	259	324	
100	4	100	240	140	128	259	343	



ALL VALVES ARE 100% ELECTRONICALLY TESTED AT 80 PSI IN BOTH THE OPEN AND CLOSED POSITIONS

2-Piece Thread Ball Valves

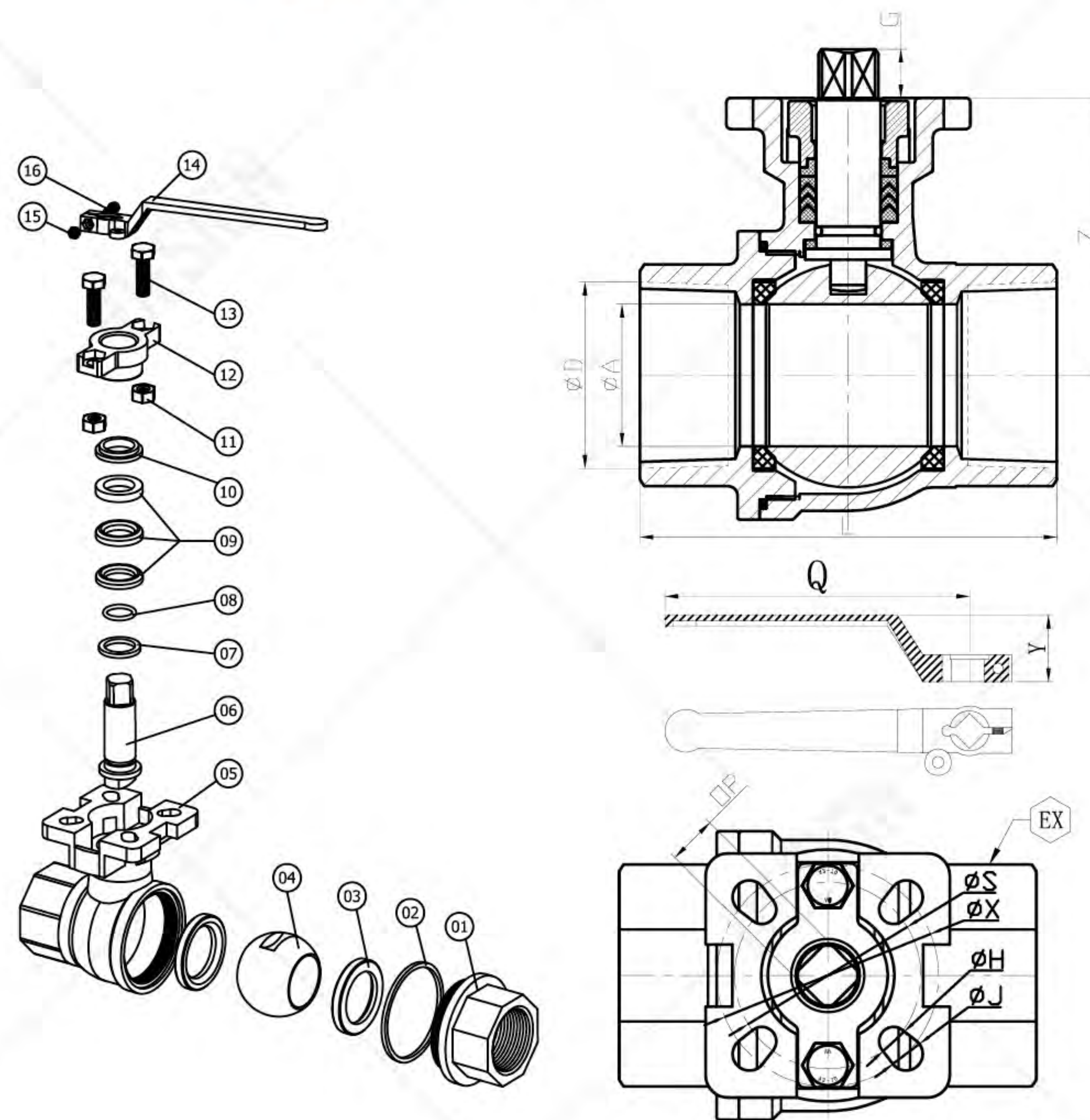
Features

- > Design at an economical price
- > Each valves comply with ISO 5211
- > Full port stainless steel 2-piece ball valve
- > 3/8" through 2" NPT
- > Antistatic device
- > Blowout-proof stem
- > Pressure rating 1000 wog
- > Temperature rating varies from with o-ring material
- > Threaded End Connections meet NPT, BSPT,DIN
- > Inspection and testing to current API598, EN1226



Material List

NO.	PARTS NAME	MATERIAL		
1	GLAND	WCB	CF8	CF8M
2	SEAL	TFM1600		
3	SEAT	TFM1600		
4	BALL	SS304	SS316	
5	BODY	WCB	CF8	CF8M
6	STEM	SS304		
7	GASKET	RPTFE		
8	O-RING	VITON		
9	V-TYPE PACKING	TFM1600		
10	SHAFT SLEEVE	RPTFE		
11	NUT	45#	CF8	
12	PCKING GLAND	WCB	A2-70	
13	BLOT	45#	CF8	
14	HANDLE	WCB	A2-70	
15	NUT	A2-70		
16	BLOT	A2-70		



Dimentional Data

Size		ØD	ØA	L	Z	G	OP	EX	ØS	ØX	ØH	ØJ	Q	Y
DN	In.													
10	3/8	NPT	13	69	44.5	9	9	27	50	36	6	7	165	28
15	1/2		15	69	44.5	9	9	27	50	36	6	7		
20	3/4		20	71	46	9	9	32	50	36	6	7		
25	1		25	86	58	11	11	41	50	42	6	7	197	30
32	1 1/4		32	94	62.5	11	11	50	50	42	6	7		
40	1 1/4		38	105	72.5	14	14	56	70	50	7	9	232	37
50	2	50	127	80.5	14	14	70	70	50	7	9			

Valve Operator

Lever operation

- Pneumatic or electric actuators available.
- Limit switches, positioners, solenoid valves and many other customer options available.
- Contact FLOWX for appropriate choice and sizing of valve actuators.

ALL VALVES ARE 100% ELECTRONICALLY TESTED AT 80 PSI IN BOTH THE OPEN AND CLOSED POSITIONS

FLOWX VALVE • WORLD-CLASS VALVE SUPPLIERS • T (86) 021 3497 7873 • F (86) 021 5415 0271 • Email:sales@flowxvalve.com

2-Piece Thread Ball Valves

■ Features of Actuators

- > Heavy duty Rack and pinion design
- > Spring return or double acting
- > Open and closed adjustment stops
- > True NAMUR accessory and ISO mounting
- > Visual indicator, Top Mount indicator
- > High temperature and corrosion resistant models available
- > Solenoids, limit switches, positioners and other accessories are available

- > Fully adjustable limit switches allow for fine control of on-off positions
- > All electric actuators are available for modulating (4-20mA control) or on-off service
- > Motor has thermal overload protection
- > Running Time: 9s/13s/15s/30s/50s/100s/150s
- > Heavy-duty gear train motor with permanent lubrication
- > ISO bottom mounting for direct mount actuation with true ISO valves on most models



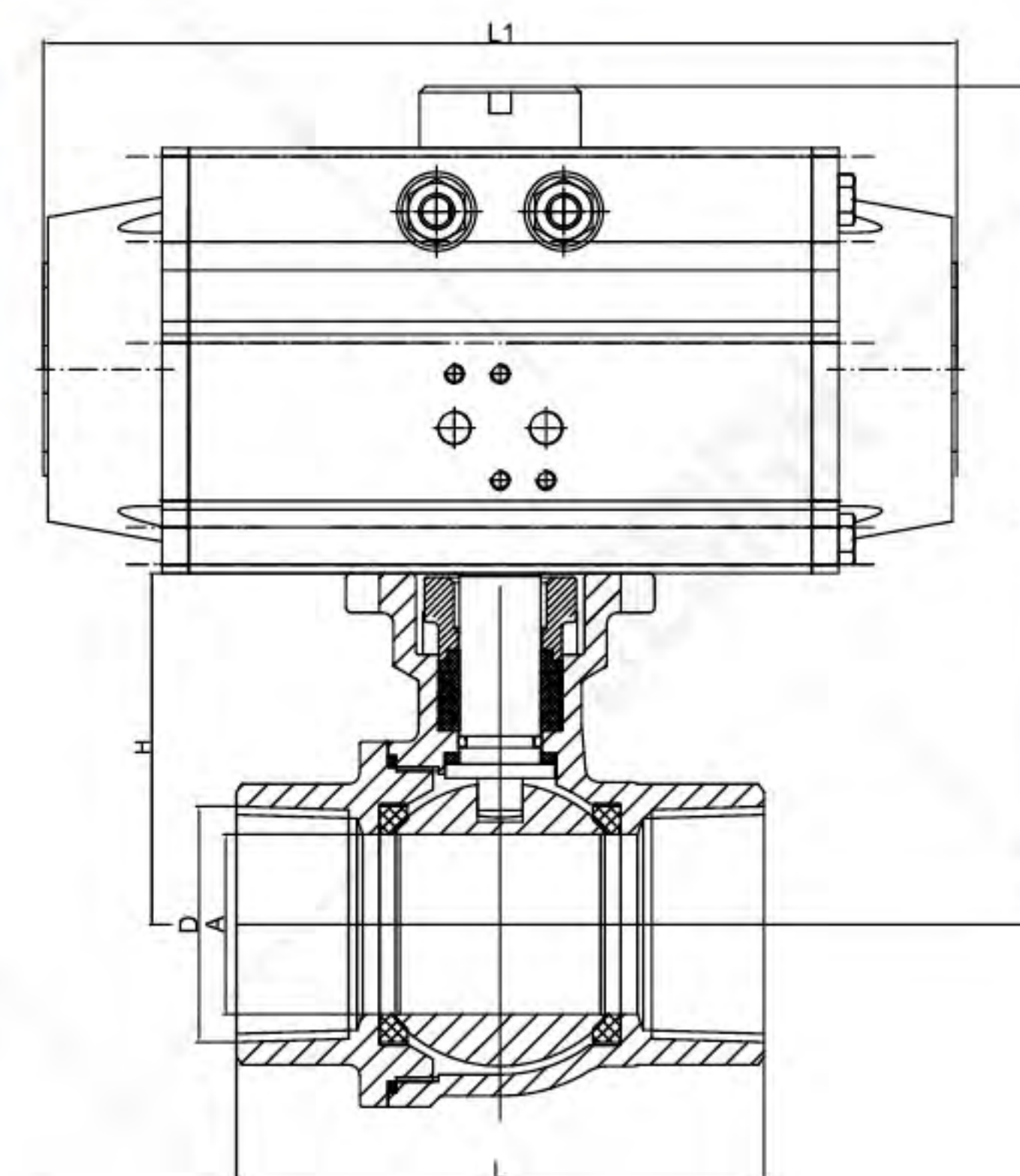
Pneumatically Operated



Electrically Operated

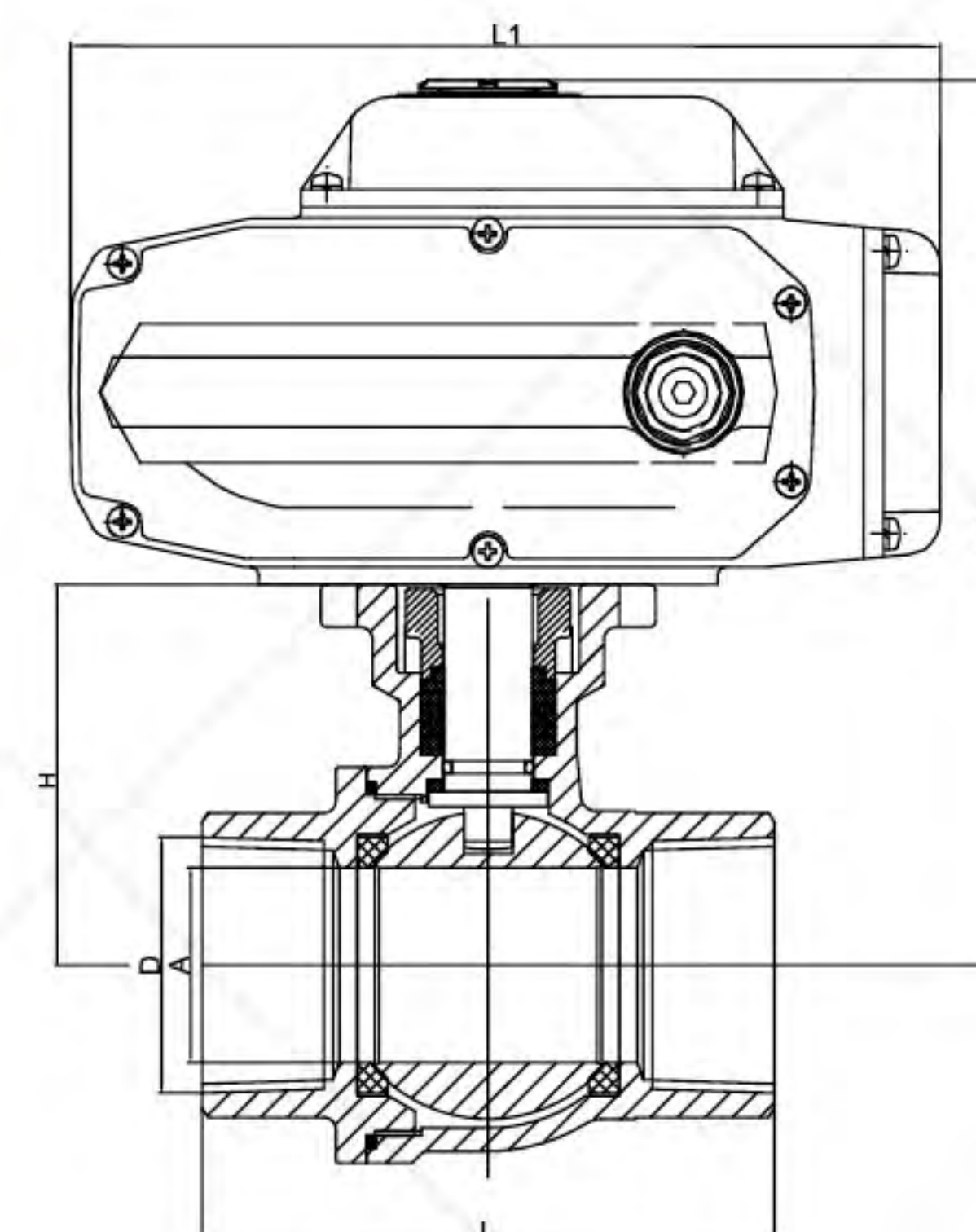
■ Dimensional Data

Size		A	L	H	SR		DA		THREAD
DN	In.				H1	L1	H1	L1	
10	3/8	13	69	44.5	145	162	134	139.5	NPT BSP DIN
15	1/2	15	69	44.5	145	162	134	139.5	
20	3/4	20	71	46	146.5	162	135.5	139.5	
25	1	25	86	58	175	207	158.9	162	
32	1 1/4	32	94	62.5	179.3	207	163	162	
40	1 1/2	38	105	72.5	201.5	237.5	189.5	207	
50	2	50	127	80.5	209	237.5	197.7	207	



■ Dimensional Data

Size		d	L	H	L1	H1	THREAD
DN	In.						
10	3/8	13	69	44.5	165	182	NPT BSP DIN
15	1/2	15	69	44.5	165	182	
20	3/4	20	71	46	165	183.5	
25	1	25	86	58	165	195.9	
32	1 1/4	32	94	62.5	165	200	
40	1 1/2	38	105	72.5	165	210	
50	2	50	127	80.5	211.5	249	



ALL VALVES ARE 100% ELECTRONICALLY TESTED AT 80 PSI IN BOTH THE OPEN AND CLOSED POSITIONS

ANSI Flange Ball Valves

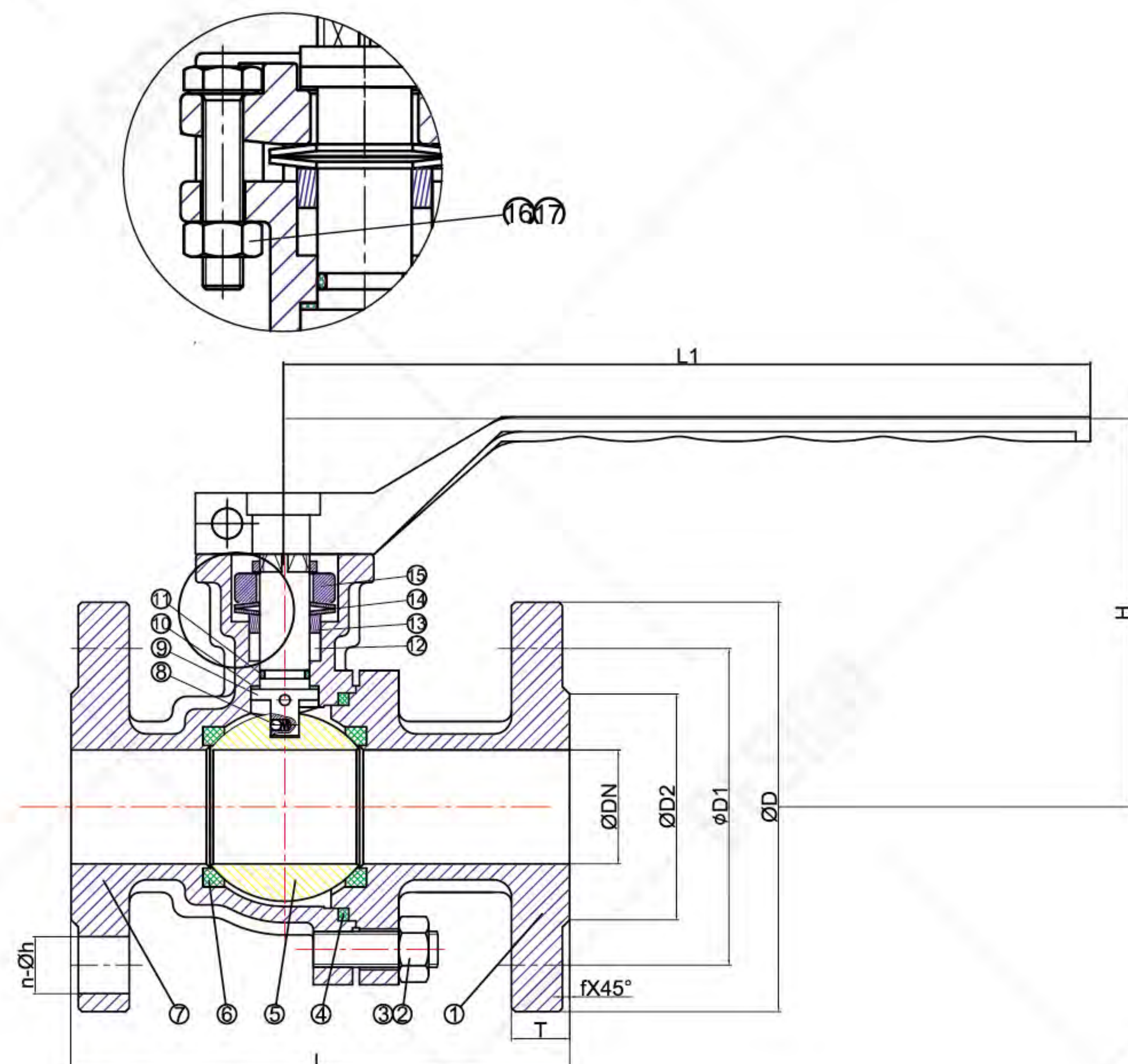
Features

- > Full port stainless or carbon steel flanged ball valve
- > 1/2" through 8" with 150# ANSI flanges
- > Antistatic device
- > Blowout-proof stem
- > Pressure rating 150LB
- > Temperature rating varies from with o-ring material
- > API 607 fire safe tested and certified
- > Belleville washers and adjustable packing for high cycle applications
- > Inspection and testing to current API598, API 6D



Material List

NO.	PARTS NAME	MATERIAL	QTY
1	BONNET	DI/WCB/CF8/CF8M	1
2	DOUBLE END STUD	A 193 B8	
3	NUT	A 194 8	
4	BODY GASKET	PTFE	1
5	BALL	SS304/SS316	1
6	SEAT	TFM1600	1
7	BODY	DI/WCB/CF8/CF8M	1
8	ANTISTATIC DEVICE	SS	1
9	STEM	SS304/SS316	1
10	THRUST WASHER	RTFE	1
11	O-RING	VITON	1
12	PACKING	TFM1600	3
13	PACKING GLAND	SS	1
14	DISC SPRING	SS	2
15	PACKING GLAND	WCB/SS	1
16	SCREW	A 193 B8	2
17	NUT	A 194 8	2



Dimensional Data

Size		D	D1	D2	L	n-Φh	T	f	H	L1	WT (kg)
DN	In.										
15	1/2	90	60.3	34.9	108	4-Φ16	11.6	2	77	165	2.0
20	3/4	100	69.9	42.9	117	4-Φ16	13.2	2	85	165	2.4
25	1	110	79.4	50.8	127	4-Φ16	14.7	2	88.5	196	3.3
32	1 1/4	115	88.9	63.5	140	4-Φ16	16.3	2	101	196	4.2
40	1 1/2	125	98.4	73	165	4-Φ16	17.9	2	115.5	232	6.2
50	2	150	120.7	92.1	178	4-Φ19	19.5	2	122.5	232	8.8
65	2 1/2	180	139.7	104.8	190	4-Φ19	23.3	2	184	300	13.9
80	3	190	152.4	127	203	4-Φ19	24.3	2	192	300	17.6
100	4	230	190.5	157.2	229	8-Φ19	24.3	2	227	400	23.9

Valve Operator

Lever operation

- Pneumatic or electric actuators available.
- Limit switches, positioners, solenoid valves and many other customer options available.
- Contact FLOWX for appropriate choice and sizing of valve actuators.

ALL VALVES ARE 100% ELECTRONICALLY TESTED AT 80 PSI IN BOTH THE OPEN AND CLOSED POSITIONS

ANSI Flange Ball Valves

Features of Actuators

- > Heavy duty Rack and pinion design
- > Spring return or double acting
- > Open and closed adjustment stops
- > True NAMUR accessory and ISO mounting
- > Visual indicator, Top Mount indicator
- > High temperature and corrosion resistant models available
- > Solenoids, limit switches, positioners and other accessories are available

- > Fully adjustable limit switches allow for fine control of on-off positions
- > All electric actuators are available for modulating (4-20mA control) or on-off service
- > Motor has thermal overload protection
- > Running Time: 9s/13s/15s/30s/50s/100s/150s
- > Heavy-duty gear train motor with permanent lubrication
- > ISO bottom mounting for direct mount actuation with true ISO valves on most models



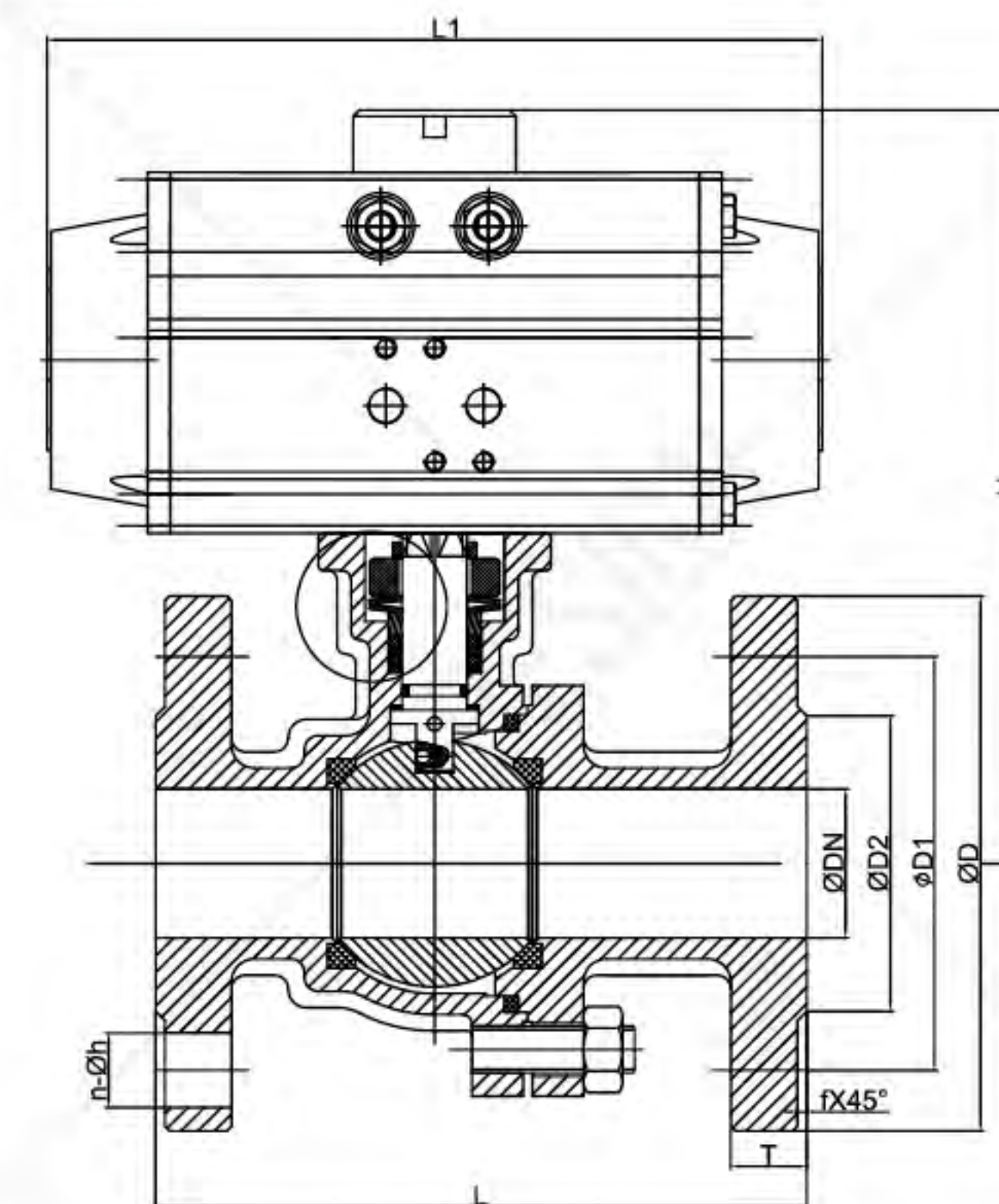
Pneumatically Operated



Electrically Operated

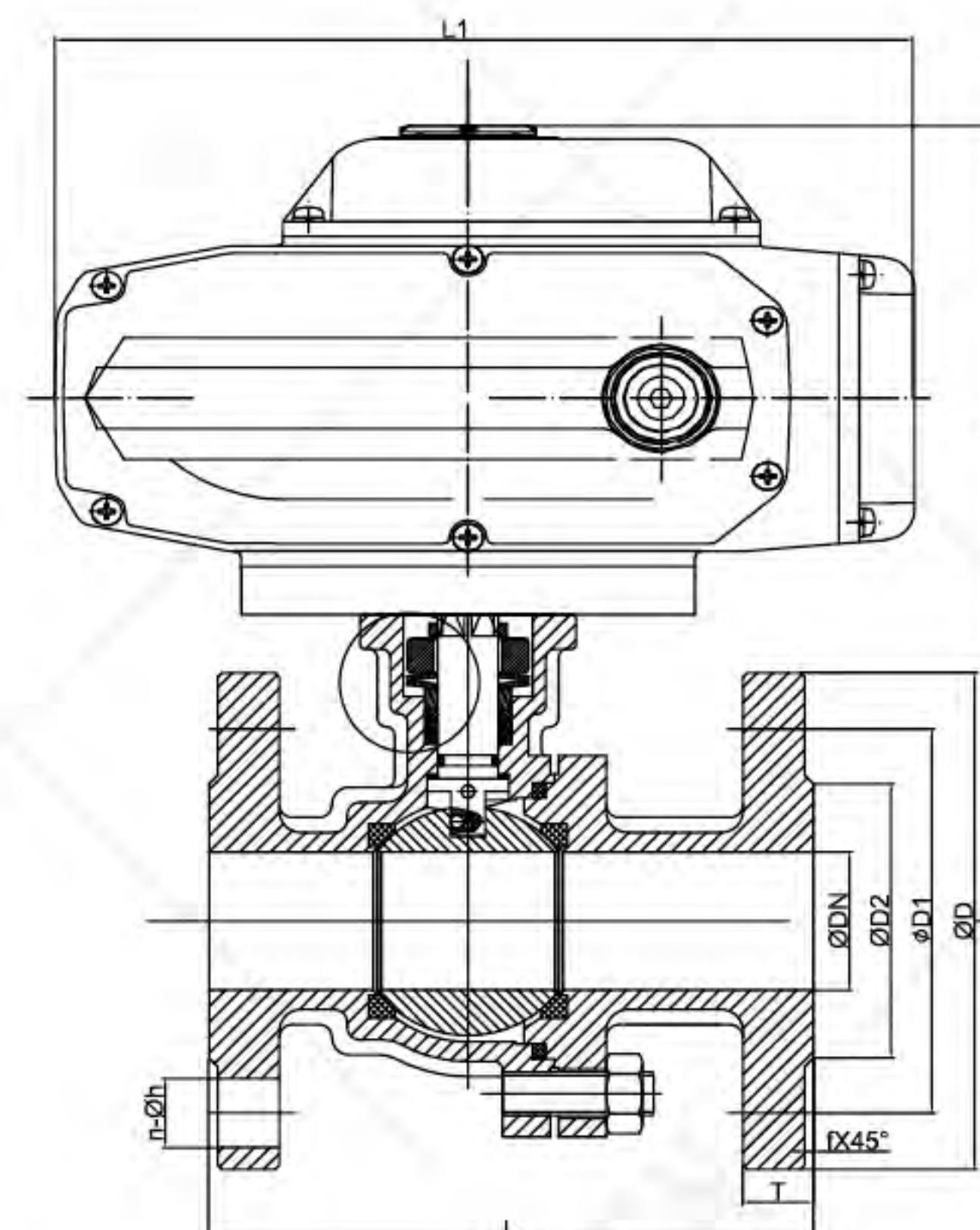
Dimensional Data

Size		D	D1	D2	L	n-Φh	T	f	SR			DA		
DN	In.								H	L1	WT (kg)	H	L1	WT (kg)
15	½	90	60.3	34.9	108	4-Φ16	11.6	2	151.5	162	3.7	140.5	139.5	2.9
20	¾	100	69.9	42.9	117	4-Φ16	13.2	2	172	207	5.5	155.5	162	3.9
25	1	110	79.4	50.8	127	4-Φ16	14.7	2	180	207	6.3	163.5	162	4.7
32	1¼	115	88.9	63.5	140	4-Φ16	16.3	2	188	207	7.2	171.5	162	5.4
40	1½	125	98.4	73	165	4-Φ16	17.9	2	209.5	237.5	10.3	198	207	8.5
50	2	150	120.7	92.1	178	4-Φ19	19.5	2	229.5	271.5	15.3	216.5	237.5	12.1
65	2½	180	139.7	104.8	190	4-Φ19	23	2	285.5	328	22.8	255.5	271.5	18.8
80	3	190	152.4	127	203	4-Φ19	24.3	2	307.5	366	29.3	295.5	328	25.3
100	4	230	190.5	157.2	229	8-Φ19	24.3	2	353	428	43.7	330.5	366	33.6
125	5	254	216	186	356	8-Φ22.3	24.3	2	401	430	61.9	385	428	54.9



Dimensional Data

Size		D	D1	D2	L	H	n-Φh	T	f	H	L1	WT (kg)
DN	In.											
15	½	90	60.3	34.9	108	57	4-Φ16	11.6	2	186.5	165	4.3
20	¾	100	69.9	42.9	117	57	4-Φ16	13.2	2	191.5	165	4.7
25	1	110	79.4	50.8	127	56.4	4-Φ16	14.7	2	196	165	5.6
32	1¼	115	88.9	63.5	140	70.3	4-Φ16	16.3	2	208.5	165	6.5
40	1½	125	98.4	73	165	79	4-Φ16	17.9	2	246.5	211.5	10.3
50	2	150	120.7	92.1	178	86.7	4-Φ19	19.5	2	253.5	211.5	12.9
65	2½	180	139.7	104.8	190	114	4-Φ19	23	2	317	259	20.9
80	3	190	152.4	127	203	121	4-Φ19	24.3	2	325	259	24.5
100	4	230	190.5	157.2	229	140	8-Φ19	24.3	2	338	259	30.9

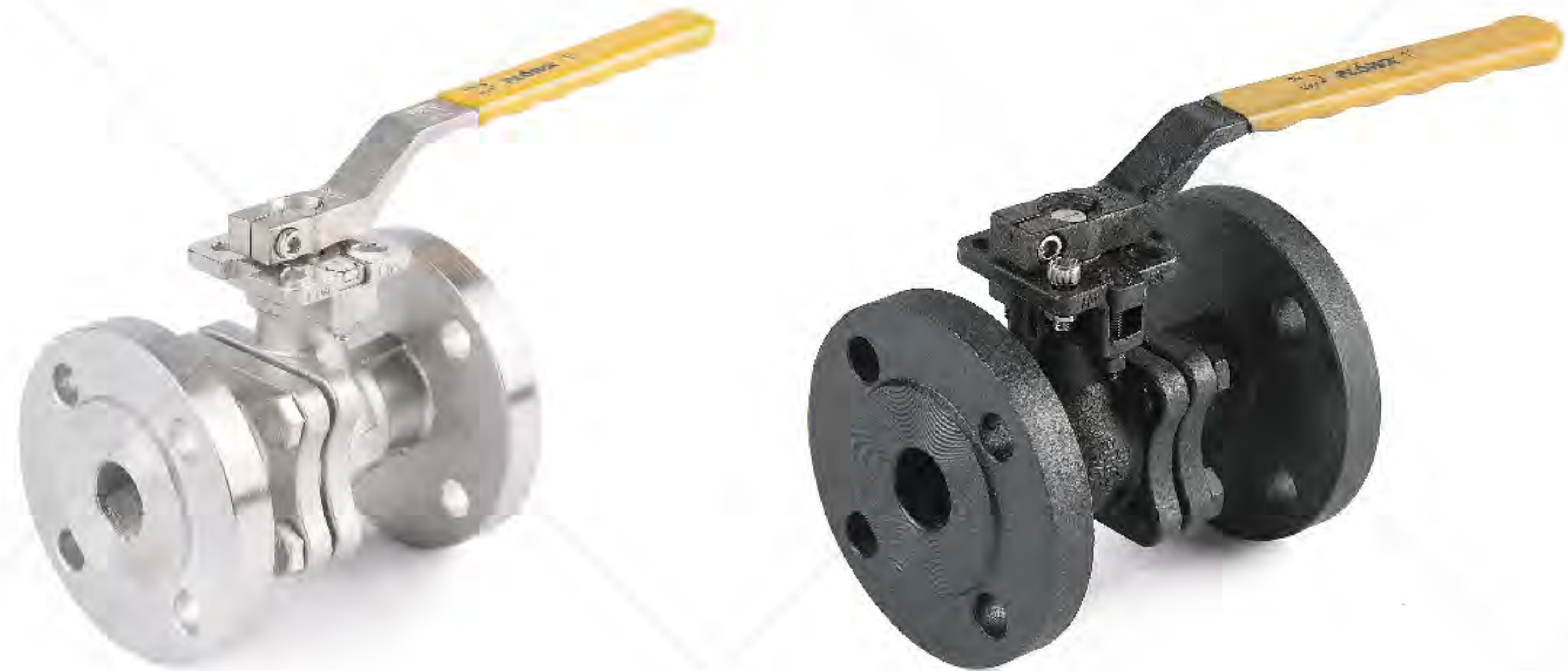


ALL VALVES ARE 100% ELECTRONICALLY TESTED AT 80 PSI IN BOTH THE OPEN AND CLOSED POSITIONS

GB Flange Ball Valves

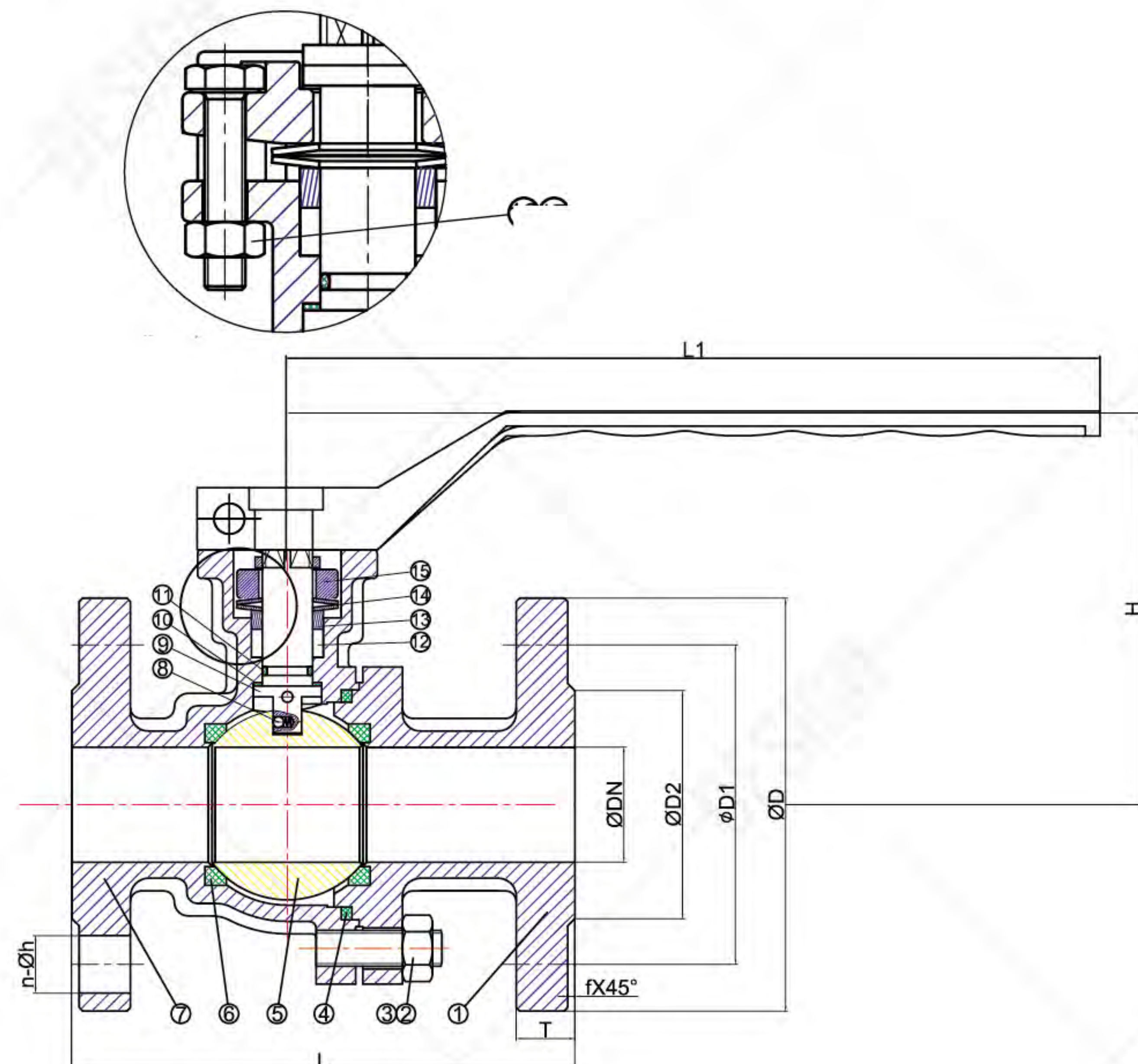
Features

- > Full port stainless or carbon steel flanged ball valve
- > 1/2" through 8" with PN16 GB flanges
- > Antistatic device
- > Blowout-proof stem
- > Pressure rating PN16
- > Temperature rating varies from with o-ring material
- > API 607 fire safe tested and certified
- > Belleville washers and adjustable packing for high cycle applications
- > Inspection and testing to current GB/13927



Material List

NO.	PARTS NAME	MATERIAL	QTY
1	BONNET	DI/WCB/CF8/CF8M	1
2	DOUBLE END STUD	A 193 B8	
3	NUT	A 194 8	
4	BODY GASKET	PTFE	1
5	BALL	SS304/SS316	1
6	SEAT	TFM1600	1
7	BODY	DI/WCB/CF8/CF8M	1
8	ANTISTATIC DEVICE	SS	1
9	STEM	SS304/SS316	1
10	THRUST WASHER	RTFE	1
11	O-RING	VITON	1
12	PACKING	TFM1600	3
13	PACKING GLAND	SS	1
14	DISC SPRING	SS	2
15	PACKING GLAND	WCB/SS	1
16	SCREW	A 193 B8	2
17	NUT	A 194 8	2



Dimensional Data

Size		D	D1	D2	L	n-Øh	T	f	H	L2	WT (kg)
DN	In.										
15	1/2	95	65	45	130	4-Ø14	16	2	77	165	2.5
20	3/4	105	75	58	130	4-Ø14	18	2	82	165	3.2
25	1	115	85	68	140	4-Ø14	18	2	88.5	196	4.1
32	1 1/4	140	100	78	165	4-Ø18	18	2	101	196	5.8
40	1 1/2	150	110	88	165	4-Ø18	18	2	115.5	232	7.6
50	2	165	125	102	203	4-Ø18	20	2	122.5	232	9.7
65	2 1/2	185	145	122	222	8(4)-Ø18	18	2	184	300	14.5
80	3	200	160	138	241	8-Ø18	20	2	192	300	17.1
100	4	220	180	158	305	8-Ø18	22	2	227	400	23.4

Valve Operator

Lever operation

- Pneumatic or electric actuators available.
- Limit switches, positioners, solenoid valves and many other customer options available.
- Contact FLOWX for appropriate choice and sizing of valve actuators.

ALL VALVES ARE 100% ELECTRONICALLY TESTED AT 80 PSI IN BOTH THE OPEN AND CLOSED POSITIONS

GB Flange Ball Valves

■ Features of Actuators

- > Heavy duty Rack and pinion design
- > Spring return or double acting
- > Open and closed adjustment stops
- > True NAMUR accessory and ISO mounting
- > Visual indicator, Top Mount indicator
- > High temperature and corrosion resistant models available
- > Solenoids, limit switches, positioners and other accessories are available

- > Fully adjustable limit switches allow for fine control of on-off positions
- > All electric actuators are available for modulating (4-20mA control) or on-off service
- > Motor has thermal overload protection
- > Running Time: 9s/13s/15s/30s/50s/100s/150s
- > Heavy-duty gear train motor with permanent lubrication
- > ISO bottom mounting for direct mount actuation with true ISO valves on most models



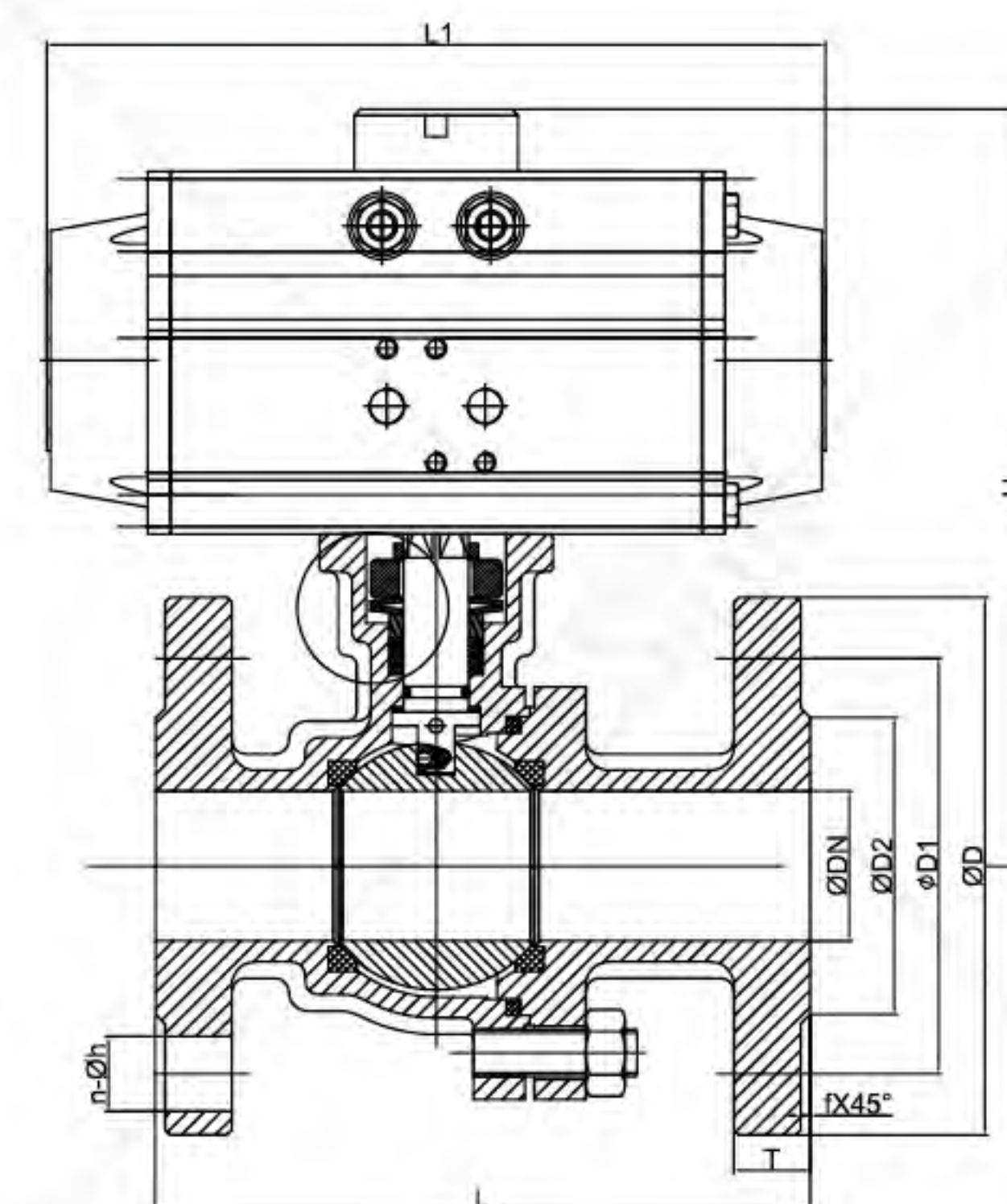
Pneumatically Operated



Electrically Operated

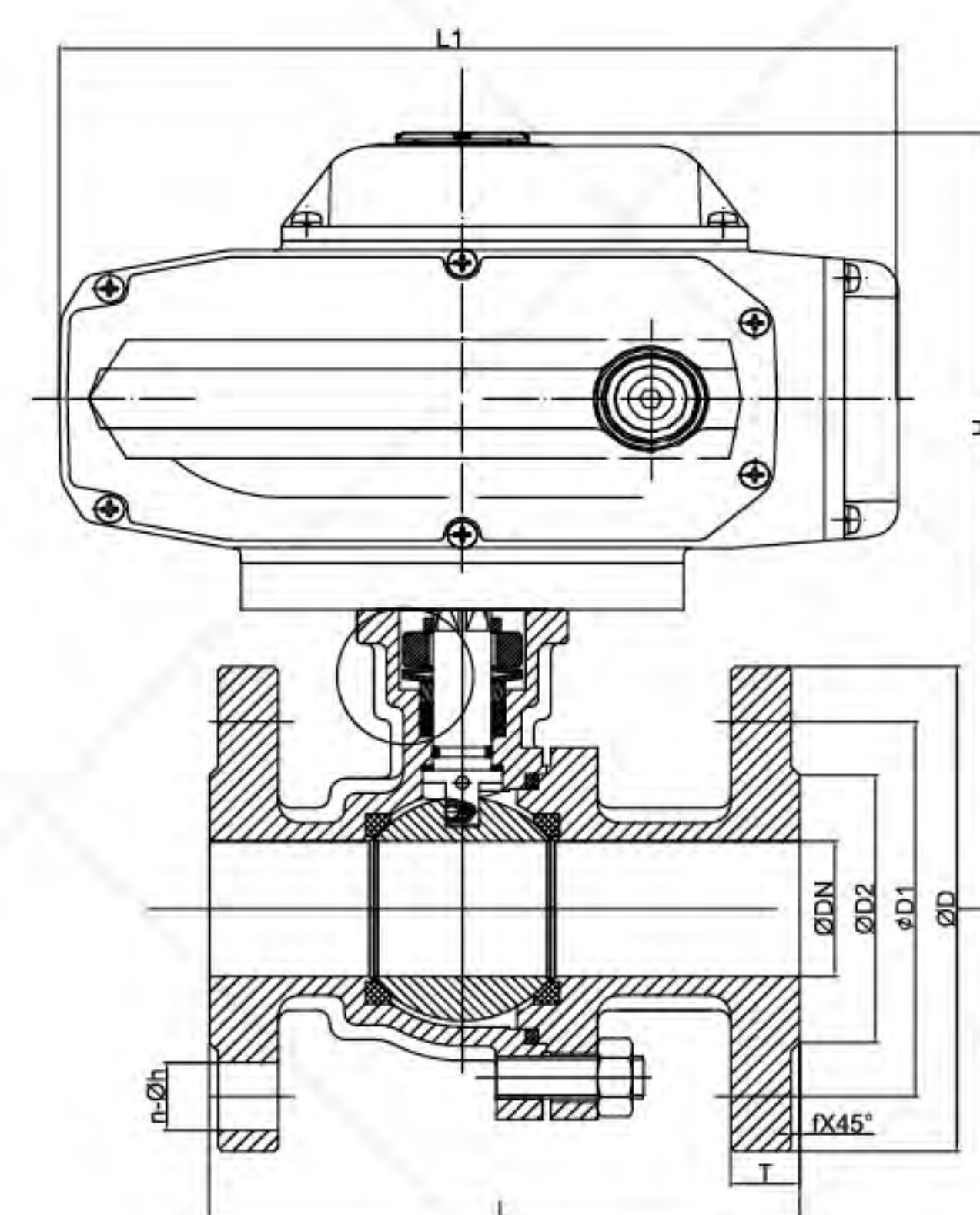
■ Dimensional Data

Size		D	D1	D2	L	n-Φh	T	f	SR			DA		
DN	In.								H	L1	WT (kg)	H	L1	WT (kg)
15	1/2	95	65	45	130	4-Φ14	16	2	151.5	162	4.3	140.5	139.5	3.5
20	3/4	105	75	58	130	4-Φ14	18	2	172	207	6.3	155.5	162	4.7
25	1	115	85	68	140	4-Φ14	18	2	180	207	7.2	163.5	162	5.6
32	1 1/4	140	100	78	165	4-Φ18	18	2	188	207	8.8	171.5	162	7.2
40	1 1/2	150	110	88	165	4-Φ18	18	2	209.5	237.5	11.7	198	207	9.9
50	2	165	125	102	203	4-Φ18	20	2	229.5	271.5	16.1	216.5	237.5	12.9
65	2 1/2	185	145	122	222	8(4)-Φ18	18	2	285.5	328	23.3	255.5	271.5	19.3
80	3	200	160	138	241	8-Φ18	20	2	307.5	366	28.9	295.5	328	24.9
100	4	220	180	158	305	8-Φ18	22	2	353	428	43.2	330.5	366	33.1
125	5	250	210	188	356	8-Φ18	24	2	401	430	59.9	385	428	52.9



■ Dimensional Data

Size		D	D1	D2	L	n-Φh	T	f	H	L1	WT (kg)
DN	In.										
15	1/2	95	65	45	130	4-Φ14	16	2	186.5	165	4.9
20	3/4	105	75	58	130	4-Φ14	18	2	191.5	165	5.6
25	1	115	85	68	140	4-Φ14	18	2	196	165	6.5
32	1 1/4	140	100	78	165	4-Φ18	18	2	208.5	165	8.1
40	1 1/2	150	110	88	165	4-Φ18	18	2	246.5	211.5	11.7
50	2	165	125	102	203	4-Φ18	20	2	253.5	211.5	13.7
65	2 1/2	185	145	122	222	8(4)-Φ18	18	2	317	259	21.5
80	3	200	160	138	241	8-Φ18	20	2	325	259	24.1
100	4	220	180	158	305	8-Φ18	22	2	338	259	30.4
125	5	250	210	188	356	8-Φ18	24	2	376	259	45.5



ALL VALVES ARE 100% ELECTRONICALLY TESTED AT 80 PSI IN BOTH THE OPEN AND CLOSED POSITIONS

3-Piece Clamp Ball Valves

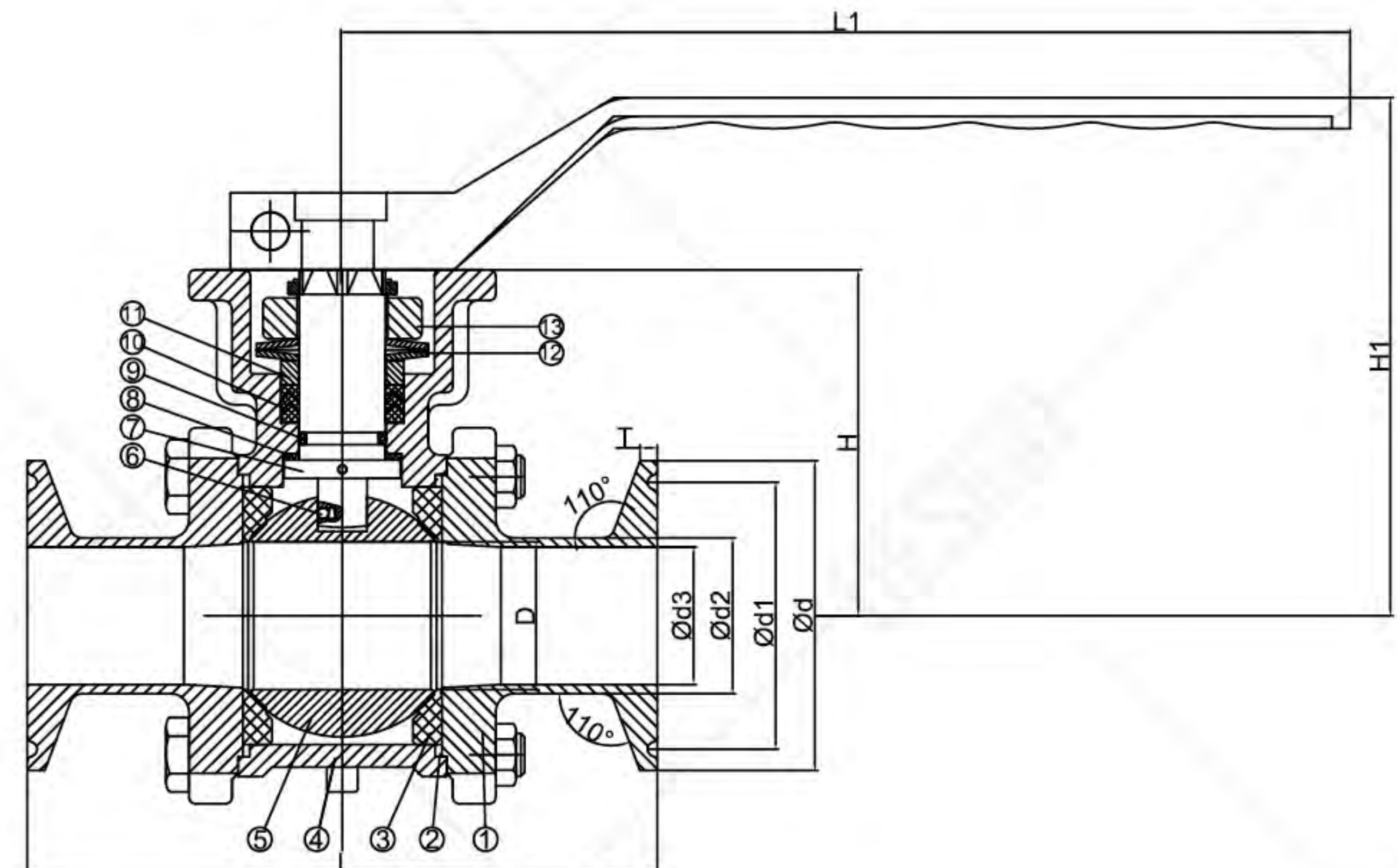
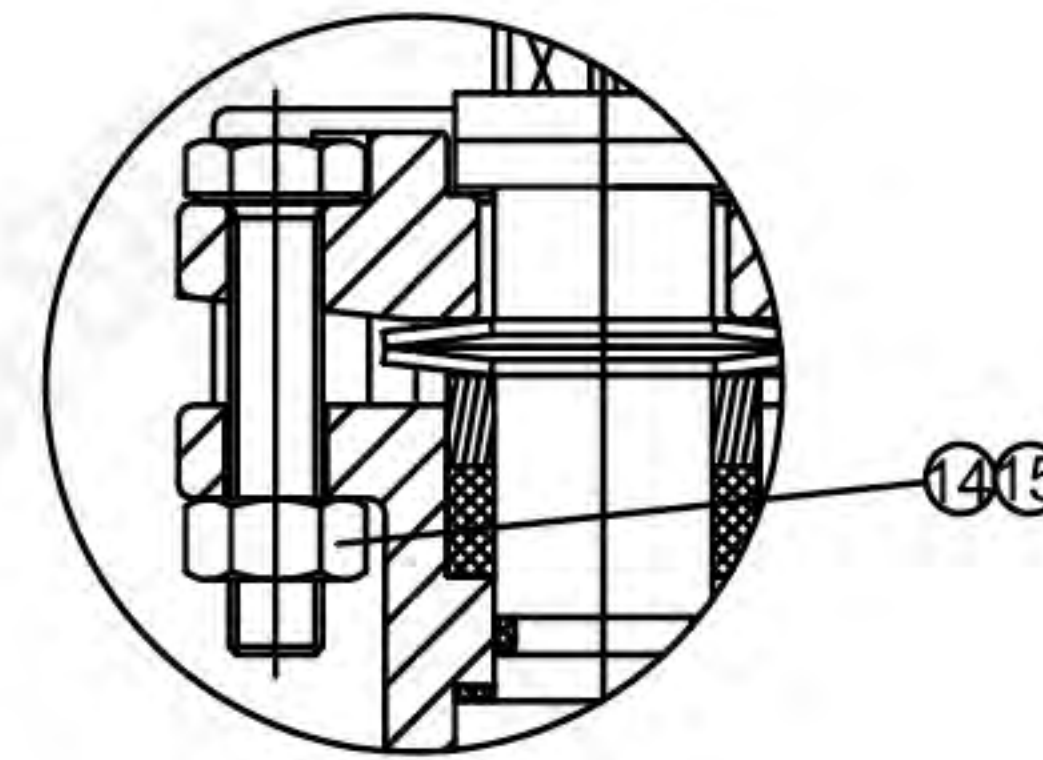
Features

- > Full port stainless steel sanitary ball valve
- > 1/2" through 4" clamp end
- > 1000 Wog working pressure
- > Temperature rating varies from with o-ring material
- > Antistatic device
- > Blowout-proof stem
- > Swing out design for easy maintenance
- > Cavity filler TFE seats and seals to reduce risk of product entrapment
- > Ideal for food, beverage and pharmaceutical applications
- > ISO mounting pad for direct mount automation



Material List

NO.	PARTS NAME	MATERIAL	QTY
1	BONNET	CF8/CF8M	2
2	SEAT	PTFE	2
3	SEAT	TFM1600	2
4	BODY	CF8/CF8M	1
5	BALL	SS304/SS316	1
6	ESD	SS	1
7	STEM	SS304/SS316	1
8	THRUST WASHER	PTFE	1
9	O-RING	VITON	1
10	PACKING	TFM1600	3
11	PACKING RING	SS	1
12	DISC SPRING	SS	2
13	PACKING GLAND	SS	1
14	NUT	A 194 8	2
15	BOLT	A 193 B8	2



Dimentional Data

Size		D	d	d1	d2	d3	L	H	T	L1	H1
DN	In.										
15	1/2	15	25.4	18	12.7	9.7	89	44.5	2.85	165	72.5
20	3/4	20	34	27	19	16	101.6	46	2.85	165	74
25	1	25	50.5	43.5	25.4	22.4	114.3	56.4	2.85	196	86.4
32	1 1/4	32	50.5	43.5	32	29	120	70.3	2.85	196	100.3
40	1 1/2	38	50.5	43.5	38	35	139.7	79	2.85	232	116.5
50	2	50	64	56.5	51	48	158.4	86.7	2.85	232	124.2
65	2 1/2	64	77.5	70.5	63.5	59.5	171.5	114	2.85	300	184
80	3	72	91	83.5	76.6	72	197	121	2.85	300	191
100	4	98	119	110	102.6	98	241	140	2.85	400	232

Valve Operator

Lever operation

- Pneumatic or electric actuators available.
- Limit switches, positioners, solenoid valves and many other customer options available.
- Contact FLOWX for appropriate choice and sizing of valve actuators.

ALL VALVES ARE 100% ELECTRONICALLY TESTED AT 80 PSI IN BOTH THE OPEN AND CLOSED POSITIONS

FLOWX VALVE • WORLD-CLASS VALVE SUPPLIERS • T (86) 021 3497 7873 • F (86) 021 5415 0271 • Email:sales@flowxvalve.com

3-Piece Clamp Ball Valves

■ Features of Actuators

- > Heavy duty Rack and pinion design
- > Spring return or double acting
- > Open and closed adjustment stops
- > True NAMUR accessory and ISO mounting
- > Visual indicator, Top Mount indicator
- > High temperature and corrosion resistant models available
- > Solenoids, limit switches, positioners and other accessories are available

- > Fully adjustable limit switches allow for fine control of on-off positions
- > All electric actuators are available for modulating (4-20mA control) or on-off service
- > Motor has thermal overload protection
- > Running Time: 9s/13s/15s/30s/50s/100s/150s
- > Heavy-duty gear train motor with permanent lubrication
- > ISO bottom mounting for direct mount actuation with true ISO valves on most models



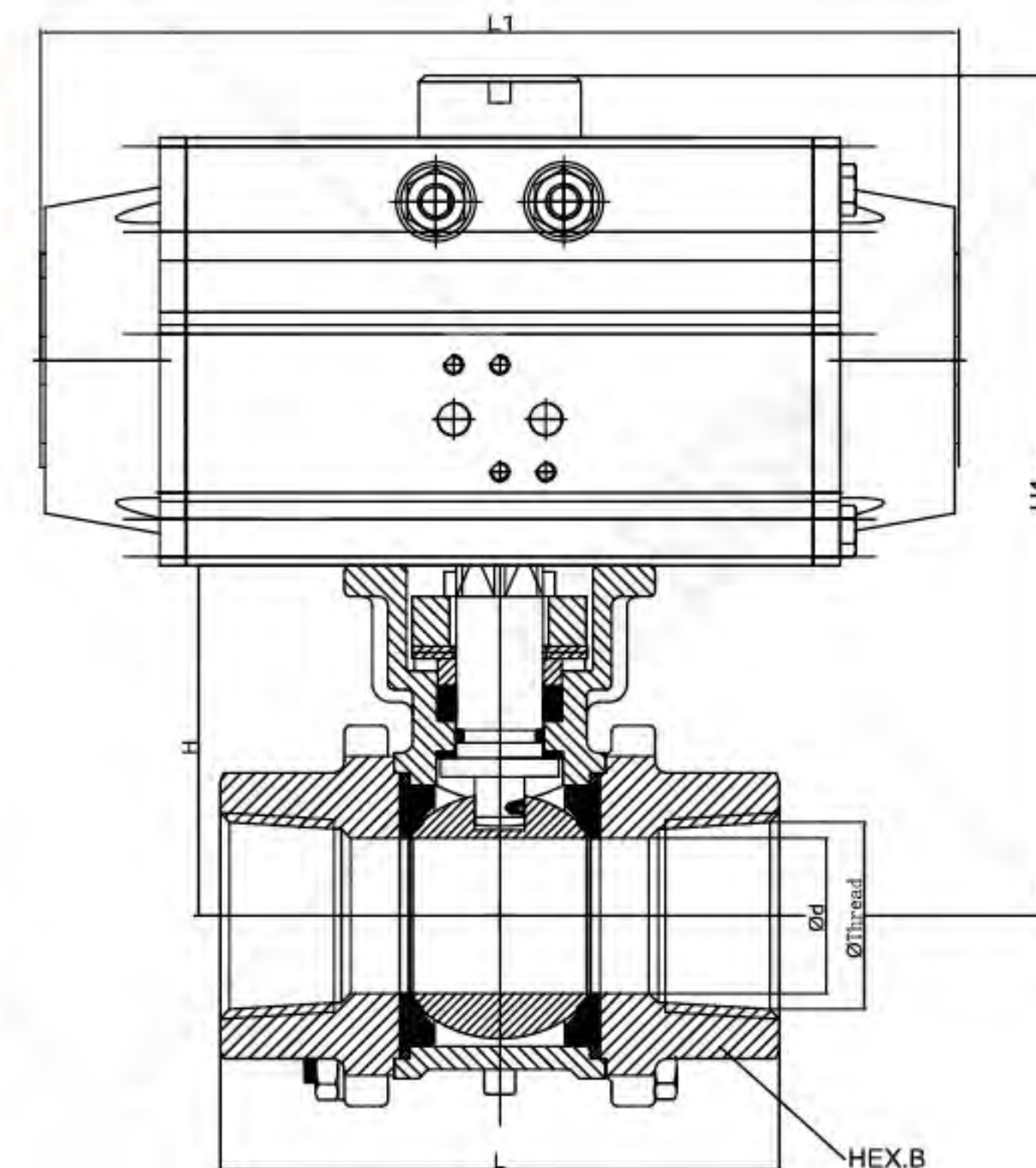
Pneumatically Operated



Electrically Operated

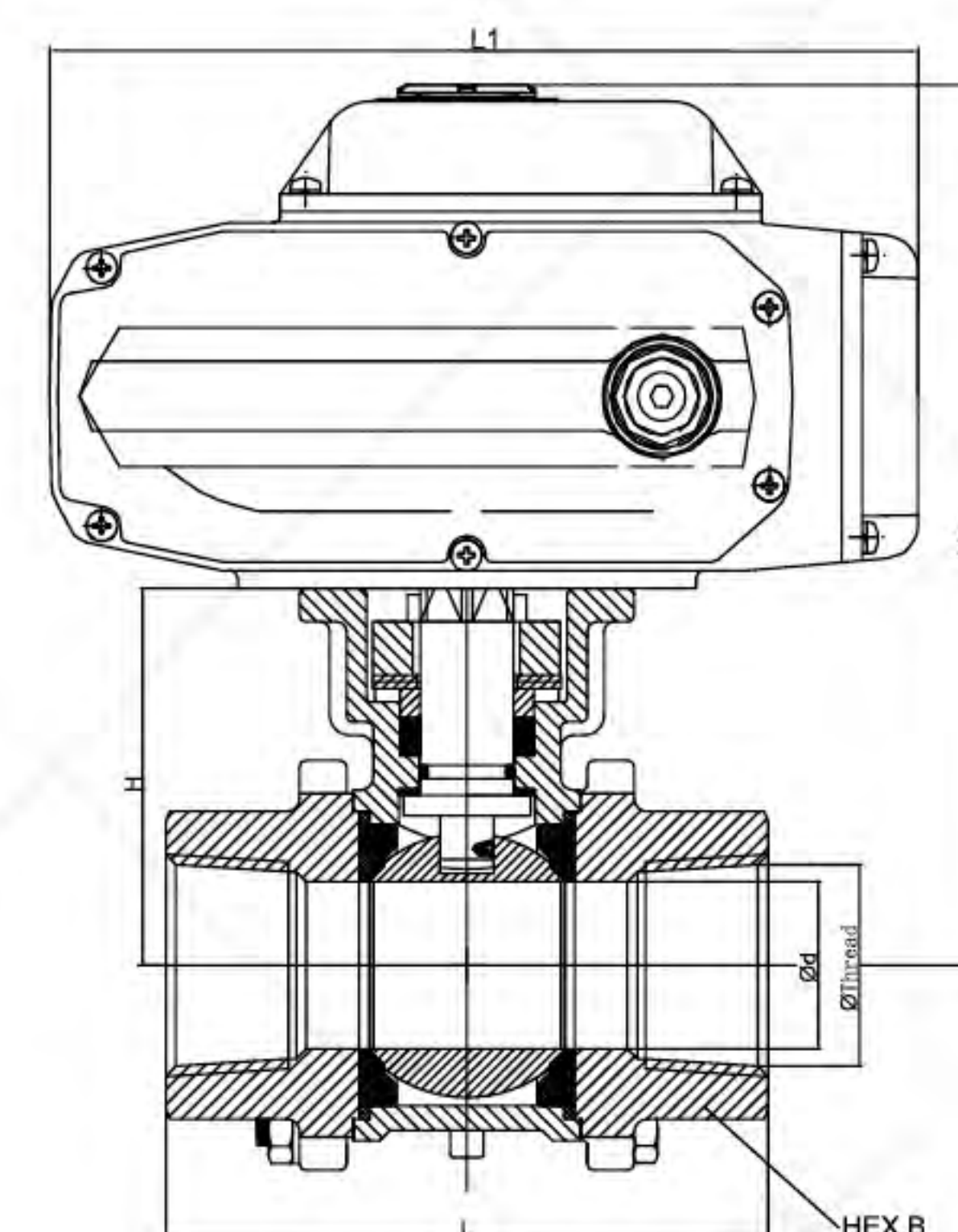
■ Dimensional Data

Size		D	d	d1	d2	d3	L	H	T	SR		DA	
DN	In.									H1	L1	H1	L1
15	1/2	15	25.4	18	12.7	9.7	89	44.5	2.85	133	162	123	139.5
20	3/4	20	34	27	19	16	101.6	46	2.85	151	207	134.5	162
25	1	25	50.5	43.5	25.4	22.4	114.3	56.4	2.85	161.4	207	144.9	162
32	1 1/4	32	50.5	43.5	32	29	120	70.3	2.85	176.3	207	158.8	162
40	1 1/2	38	50.5	43.5	38	35	139.7	79	2.85	195.5	237.5	148	207
50	2	50	64	56.5	51	48	158.4	86.7	2.85	216.5	271.5	203.2	237.5
65	2 1/2	64	77.5	70.5	63.5	59.5	171.5	114	2.85	263.5	328	243.5	271.5
80	3	72	91	83.5	76.6	72	197	121	2.85	292.5	366	250.5	328
100	4	98	119	110	102.6	98	241	140	2.85	334	428	311.5	366



■ Dimensional Data

Size		D	d	d1	d2	d3	L	H	T	L1	H1
DN	In.										
15	1/2	15	25.4	18	12.7	9.7	89	44.5	2.85	165	182
20	3/4	20	34	27	19	16	101.6	46	2.85	165	183.5
25	1	25	50.5	43.5	25.4	22.4	114.3	56.4	2.85	165	193.9
32	1 1/4	32	50.5	43.5	32	29	120	70.3	2.85	165	207.8
40	1 1/2	38	50.5	43.5	38	35	139.7	79	2.85	165	216.5
50	2	50	64	56.5	51	48	158.4	86.7	2.85	211.5	255.2
65	2 1/2	64	77.5	70.5	63.5	59.5	171.5	114	2.85	259	317
80	3	72	91	83.5	76.6	72	197	121	2.85	259	324
100	4	98	119	110	102.6	98	241	140	2.85	259	343



ALL VALVES ARE 100% ELECTRONICALLY TESTED AT 80 PSI IN BOTH THE OPEN AND CLOSED POSITIONS

Butt Welding Ball Valves

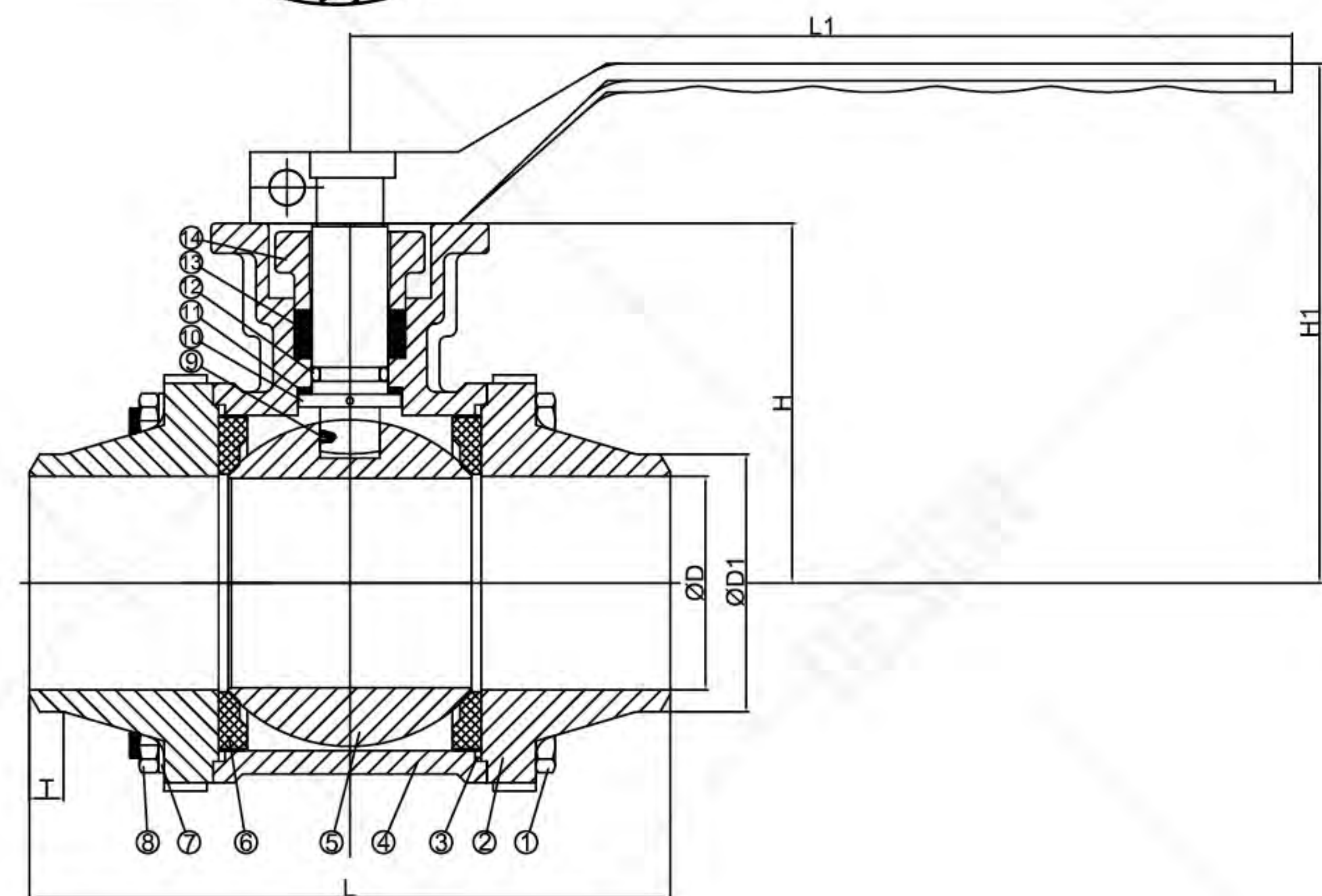
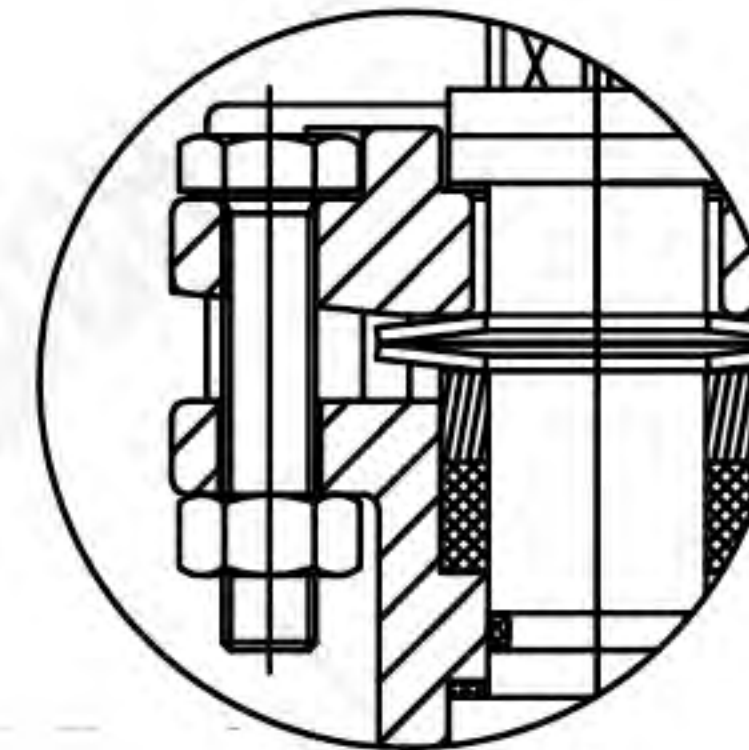
Features

- > Full port stainless steel ball valve
- > 1/2" through 4"
- > Butt Welding end connections
- > 1000 Wog working pressure
- > Temperature rating varies from with o-ring material
- > Antistatic device
- > Blowout-proof stem
- > Inspection and testing to MSS SP-110



Material List

NO.	PARTS NAME	MATERIAL	QTY
1	BOLT	A2-70	4
2	BONNET	CF8/CF8M	1
3	BODY GASKET	TFM1600	1
4	BODY	CF8/CF8M	1
5	BALL	SS304/SS316	1
6	SEAT	TFM1600	1
7	SPRING WASHER	SS	1
8	NUT	A2-70	4
9	ANTISTATIC DEVICE	SS	1
10	STEM	SS304/SS316	1
11	THRUST WASHER	PTFE	1
12	O-RING	VITON	1
13	PACKING	TFM1600	3
14	PACKING GLAND	SS	1
15	BOLT	A2-70	2
16	NUT	A2-70	2



Dimensional Data

Size		D	D1	T	L	H	L1	H1
DN	In.							
15	1/2	15	21.3	5	73	44.5	165	72.5
20	3/4	20	26.9	6	80	46	165	74
25	1	25	33.7	6	100	56.4	196	86.4
32	1 1/4	32	42.4	6	110	70.3	196	100.3
40	1 1/2	38	48.3	7	125	79	232	116.5
50	2	50	60.3	8	150	86.7	232	124.2
65	2 1/2	64	76.1	10	190	114	300	184
80	3	72	89	10	220	121	300	191
100	4	98	114.3	12	270	140	400	232

Valve Operator

Lever operation

- Pneumatic or electric actuators available.
- Limit switches, positioners, solenoid valves and many other customer options available.
- Contact FLOWX for appropriate choice and sizing of valve actuators.

ALL VALVES ARE 100% ELECTRONICALLY TESTED AT 80 PSI IN BOTH THE OPEN AND CLOSED POSITIONS

FLOWX VALVE • WORLD-CLASS VALVE SUPPLIERS • T (86) 021 3497 7873 • F (86) 021 5415 0271 • Email:sales@flowxvalve.com

Butt Welding Ball Valves

■ Features of Actuators

- > Heavy duty Rack and pinion design
- > Spring return or double acting
- > Open and closed adjustment stops
- > True NAMUR accessory and ISO mounting
- > Visual indicator, Top Mount indicator
- > High temperature and corrosion resistant models available
- > Solenoids, limit switches, positioners and other accessories are available

- > Fully adjustable limit switches allow for fine control of on-off positions
- > All electric actuators are available for modulating (4-20mA control) or on-off service
- > Motor has thermal overload protection
- > Running Time: 9s/13s/15s/30s/50s/100s/150s
- > Heavy-duty gear train motor with permanent lubrication
- > ISO bottom mounting for direct mount actuation with true ISO valves on most models



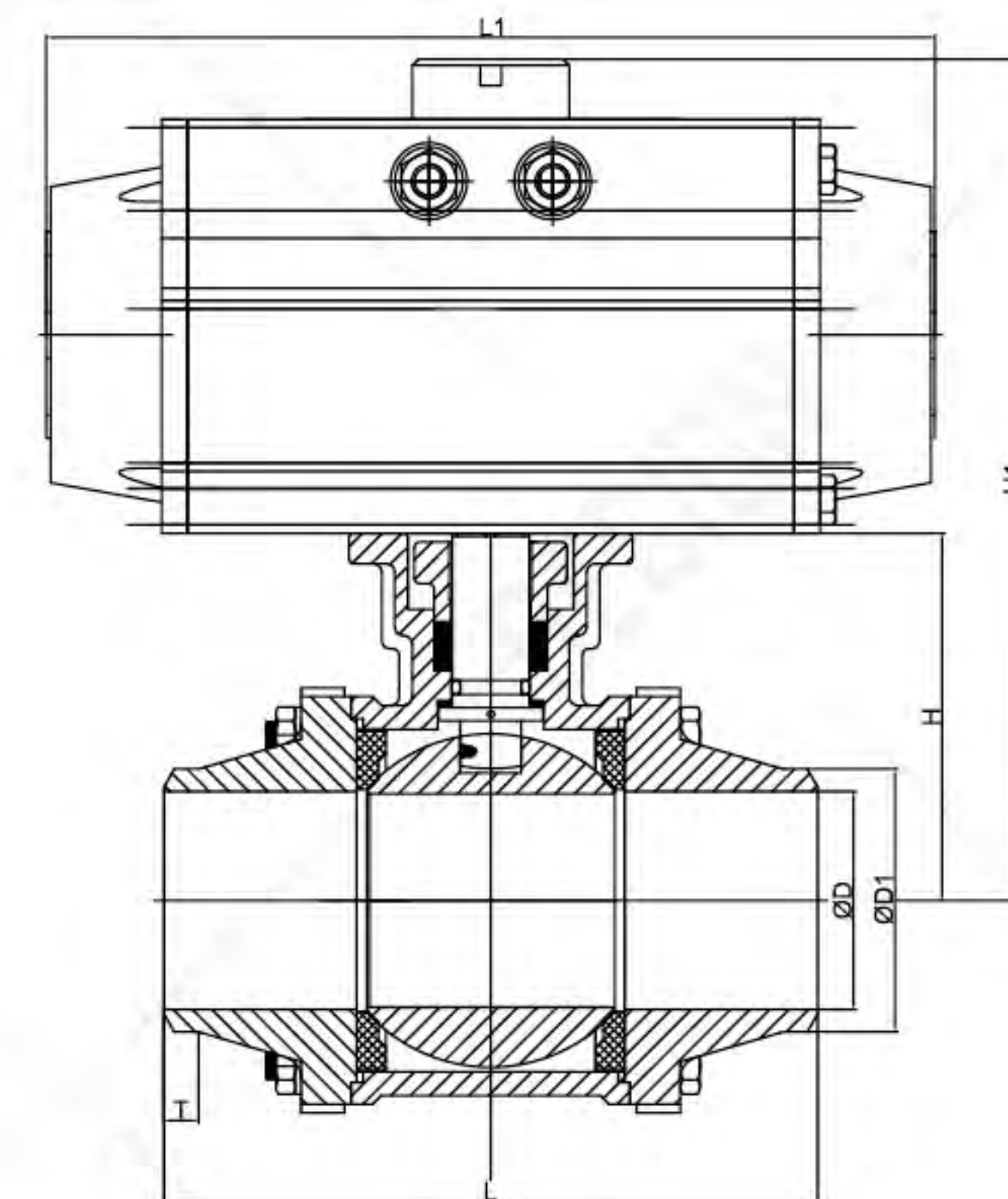
Pneumatically Operated



Electrically Operated

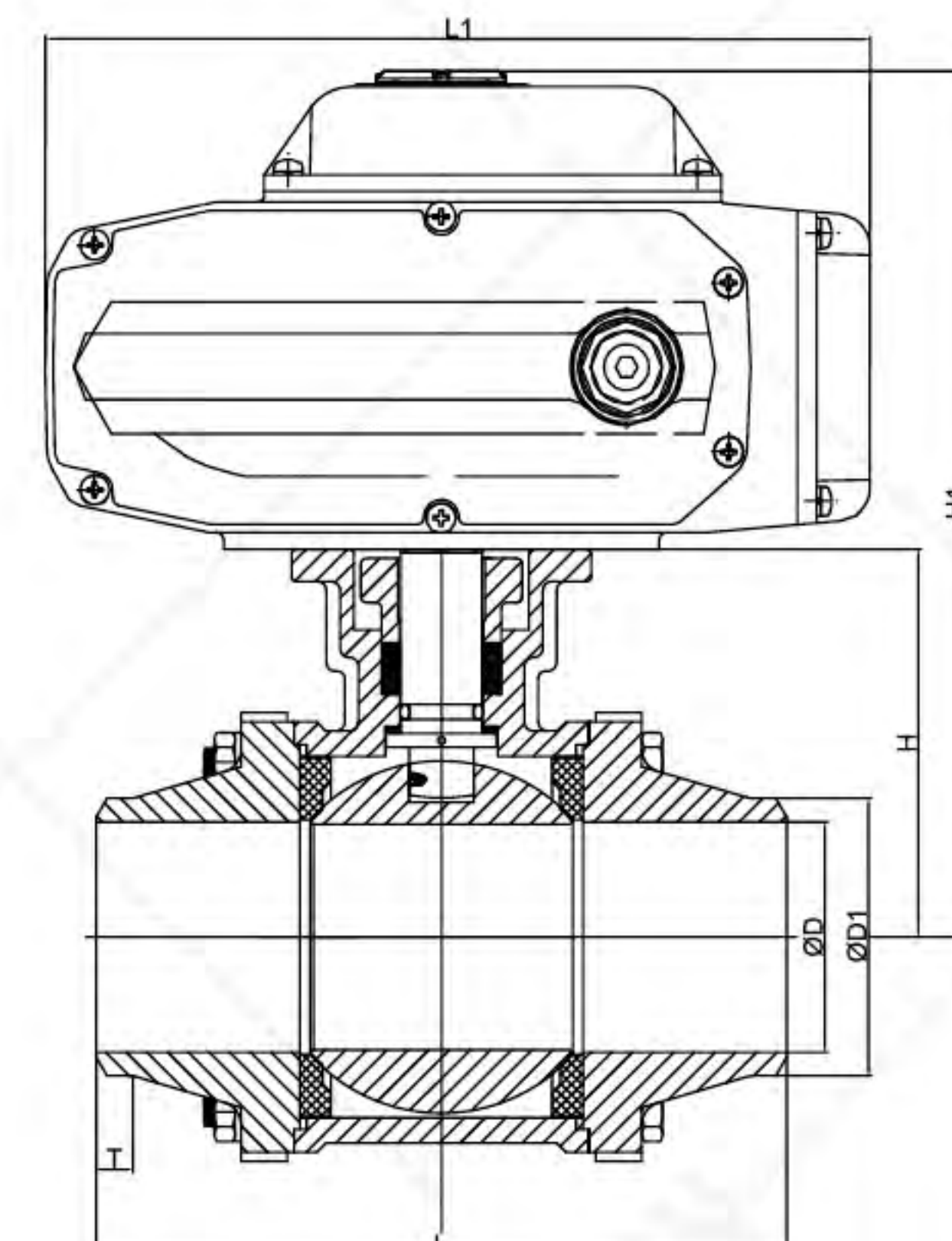
■ Dimensional Data

Size		D	D1	T	L	H	SR		DA	
DN	In.						H1	L1	H1	L1
15	1/2	15	21.3	5	73	44.5	135	162	124	139.5
20	3/4	20	26.9	6	80	46	153	207	136.5	162
25	1	25	33.7	6	100	56.4	163.4	207	146.9	162
32	1 1/4	32	42.4	6	110	70.3	177.3	207	160.8	162
40	1 1/2	38	48.3	7	125	79	197.5	237.5	186	207
50	2	50	60.3	8	150	86.7	218.2	271.5	215.2	237.5
65	2 1/2	64	76.1	10	190	114	275.5	328	245.5	271.5
80	3	74	89	10	220	121	294.5	366	282.5	328
100	4	100	114.3	12	270	140	336	428	313.5	366



■ Dimensional Data

Size		D	D1	T	L	H	L1	H1
DN	In.							
15	1/2	15	21.3	5	73	44.5	165	182
20	3/4	20	26.9	6	80	46	165	183.5
25	1	25	33.7	6	100	56.4	165	193.9
32	1 1/4	32	42.4	6	110	70.3	165	207.8
40	1 1/2	38	48.3	7	125	79	211.5	247.5
50	2	50	60.3	8	150	86.7	211.5	255.2
65	2 1/2	64	76.1	10	190	114	295	317
80	3	74	89	10	220	121	295	324
100	4	100	114.3	12	270	140	295	343



ALL VALVES ARE 100% ELECTRONICALLY TESTED AT 80 PSI IN BOTH THE OPEN AND CLOSED POSITIONS

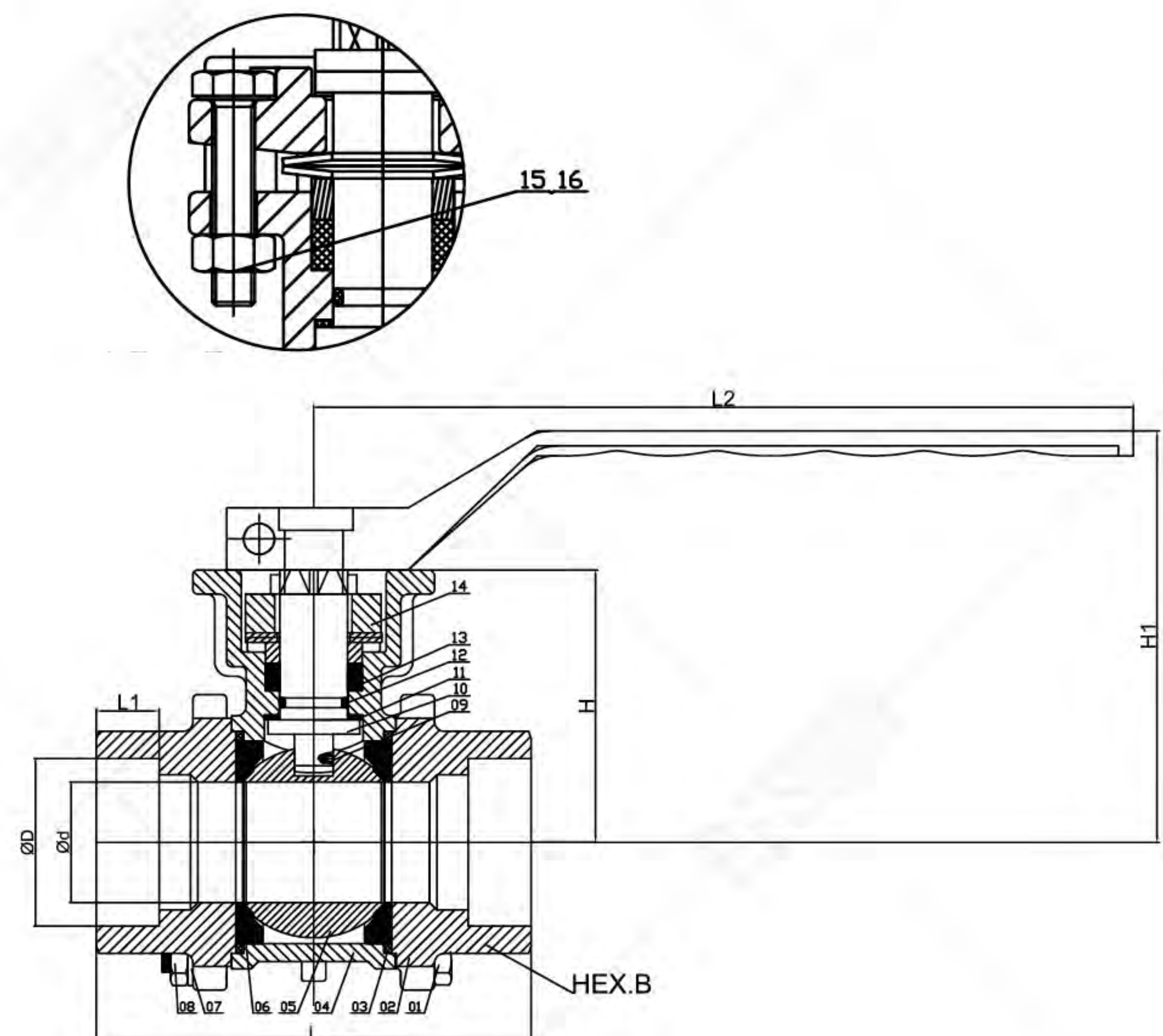
Socket Welding Ball Valves

■ Features

- > Full port stainless steel ball valve
- > 1/2" through 4"
- > Antistatic device
- > Blowout-proof stem
- > 1000 Wog working pressure
- > Temperature rating varies from with o-ring material
- > Socket Welding end connections
- > Inspection and testing to MSS SP-110

■ Material List

NO.	PARTS NAME	MATERIAL	QTY
1	BOLT	A2-70	4
2	BONNET	CF8/CF8M	1
3	BODY GASKET	TFM1600	1
4	BODY	CF8/CF8M	1
5	BALL	SS304/SS316	1
6	SEAT	TFM1600	1
7	SPRING WASHER	SS	1
8	NUT	A2-70	4
9	ANTISTATIC DEVICE	SS	1
10	STEM	SS304/SS316	1
11	THRUST WASHER	PTFE	1
12	O-RING	VITON	1
13	PACKING	TFM1600	3
14	PACKING GLAND	SS	1
15	BOLT	A2-70	2
16	NUT	A2-70	2



■ Dimensional Data

Size		d	D	L	L1	H	L2	H1
DN	In.							
15	1/2	15	21.8	73	10	44.5	165	72.5
20	3/4	20	27.5	80	13	46	165	74
25	1	25	34.7	90	13	56.4	196	130
32	1 1/4	32	43	110	16	70.3	196	140
40	1 1/2	38	49.5	120	16	79	232	116.5
50	2	50	61.5	140	18	86.7	232	124.2
65	2 1/2	64	77	185	18	114	300	184
80	3	74	90	205	20	121	300	191
100	4	100	115.2	240	20	140	400	232

Valve Operator

Lever operation

- Pneumatic or electric actuators available.
- Limit switches, positioners, solenoid valves and many other customer options available.
- Contact FLOWX for appropriate choice and sizing of valve actuators.

ALL VALVES ARE 100% ELECTRONICALLY TESTED AT 80 PSI IN BOTH THE OPEN AND CLOSED POSITIONS

FLOWX VALVE • WORLD-CLASS VALVE SUPPLIERS • T (86) 021 3497 7873 • F (86) 021 5415 0271 • Email:sales@flowxvalve.com

Socket Welding Ball Valves

Features of Actuators

- > Heavy duty Rack and pinion design
 - > Spring return or double acting
 - > Open and closed adjustment stops
 - > True NAMUR accessory and ISO mounting
 - > Visual indicator, Top Mount indicator
 - > High temperature and corrosion resistant models available
 - > Solenoids, limit switches, positioners and other accessories are available
-
- > Fully adjustable limit switches allow for fine control of on-off positions
 - > All electric actuators are available for modulating (4-20mA control) or on-off service
 - > Motor has thermal overload protection
 - > Running Time: 9s/13s/15s/30s/50s/100s/150s
 - > Heavy-duty gear train motor with permanent lubrication
 - > ISO bottom mounting for direct mount actuation with true ISO valves on most models



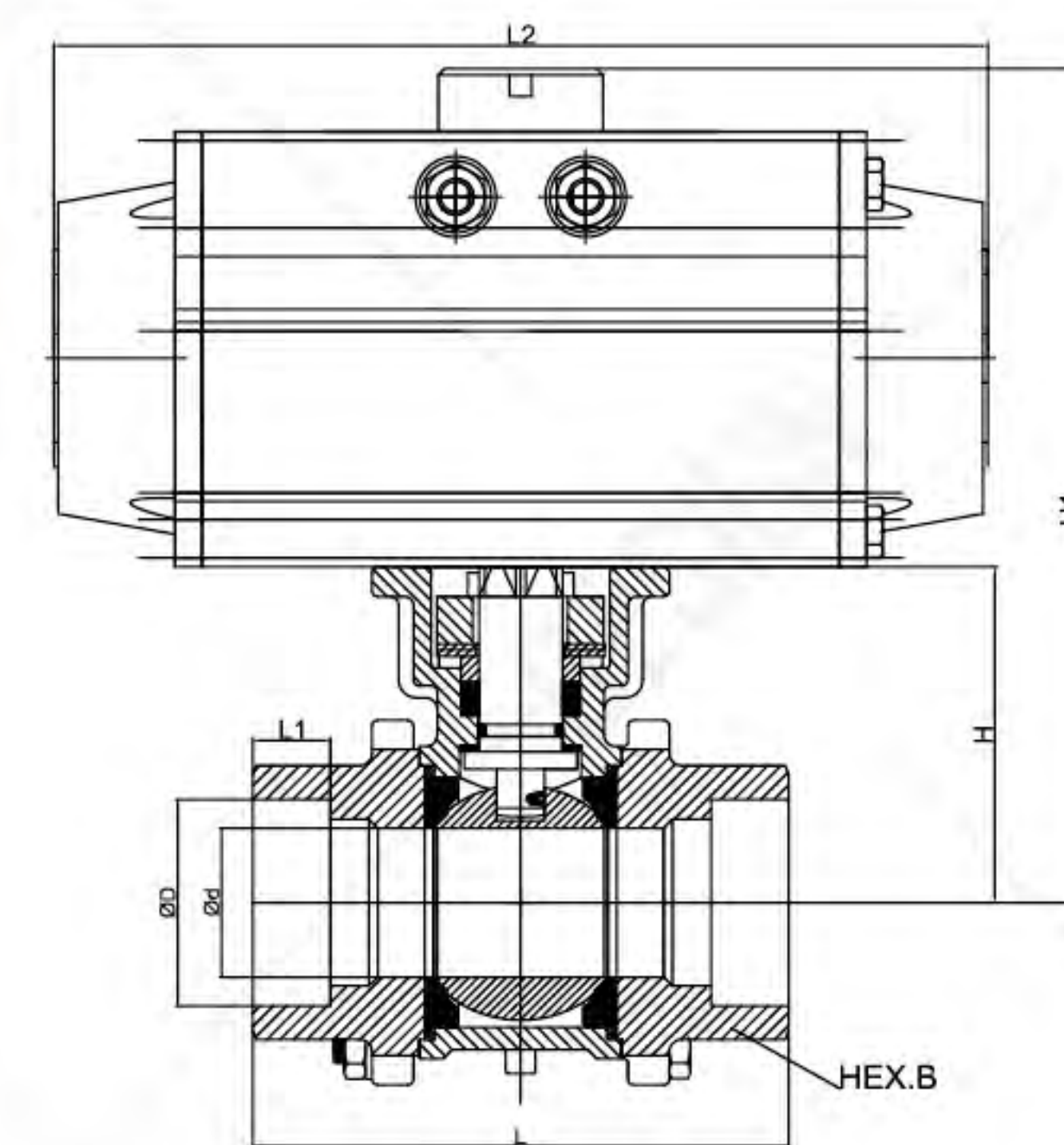
Pneumatically Operated



Electrically Operated

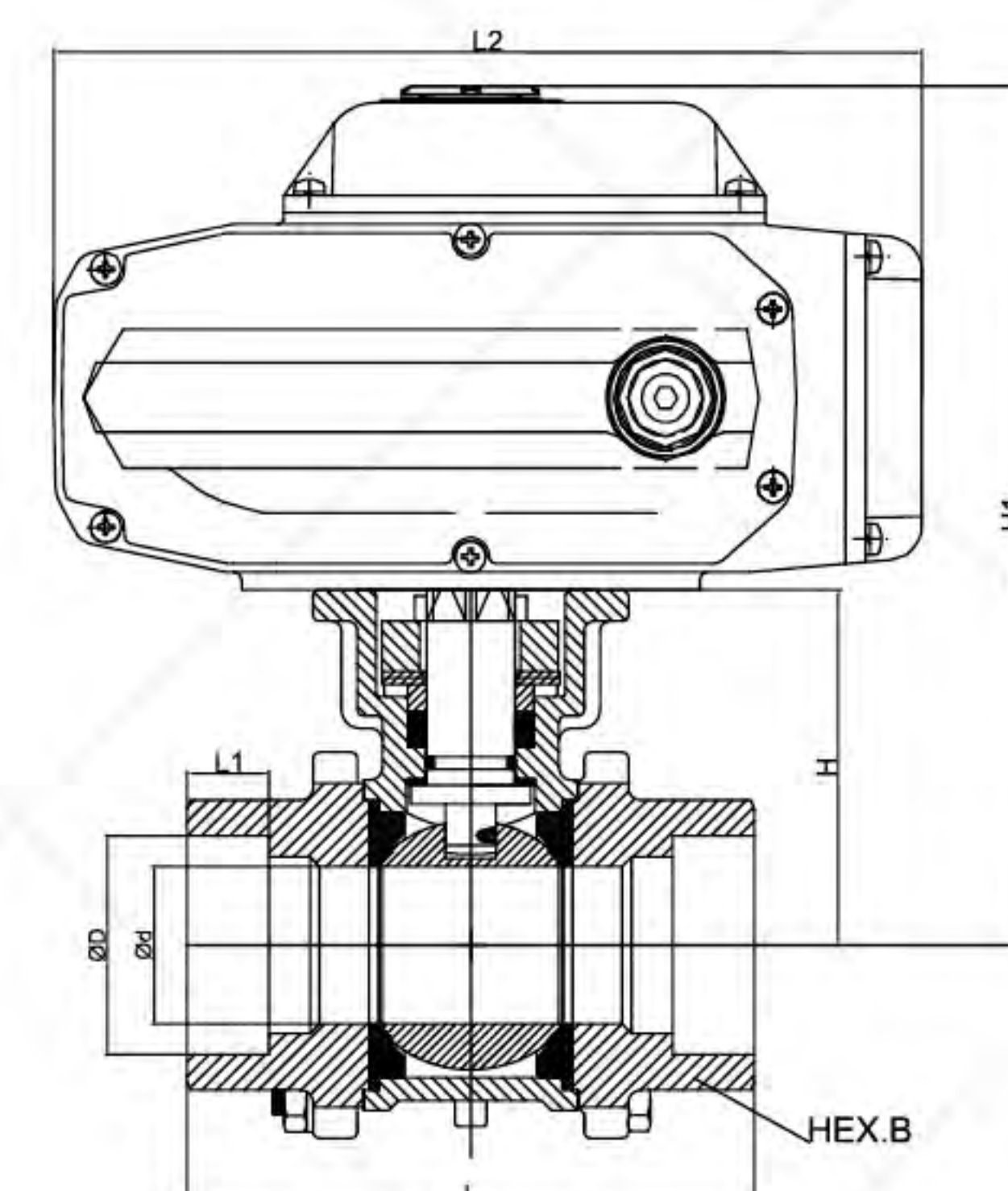
Dimensional Data

Size		d	D	L	L1	H	SR		DA	
DN	In.						H1	L1	H1	L1
15	1/2	15	21.8	73	10	44.5	135	162	124	139.5
20	3/4	20	27.5	80	13	46	153	207	136.5	162
25	1	25	34.7	90	13	56.4	163.4	207	146.9	162
32	1 1/4	32	43	110	16	70.3	177.3	207	160.8	162
40	1 1/2	38	49.5	120	16	79	197.5	237.5	186	207
50	2	50	61.5	140	18	86.7	218.2	271.5	215.2	237.5
65	2 1/2	64	77	185	18	114	275.5	328	245.5	271.5
80	3	74	90	205	20	121	294.5	366	282.5	328
100	4	100	115.2	240	20	140	336	428	313.5	366



Dimensional Data

Size		d	D	L	L1	H	L2	H1
DN	In.							
15	1/2	15	21.8	73	10	44.5	165	182
20	3/4	20	27.5	80	13	46	165	183.5
25	1	25	34.7	90	13	56.4	165	193.9
32	1 1/4	32	43	110	16	70.3	165	207.8
40	1 1/2	38	49.5	120	16	79	211.5	247.5
50	2	50	61.5	140	18	86.7	211.5	255.2
65	2 1/2	64	77	185	18	114	295	317
80	3	74	90	205	20	121	295	324
100	4	100	115.2	240	20	140	295	343



ALL VALVES ARE 100% ELECTRONICALLY TESTED AT 80 PSI IN BOTH THE OPEN AND CLOSED POSITIONS

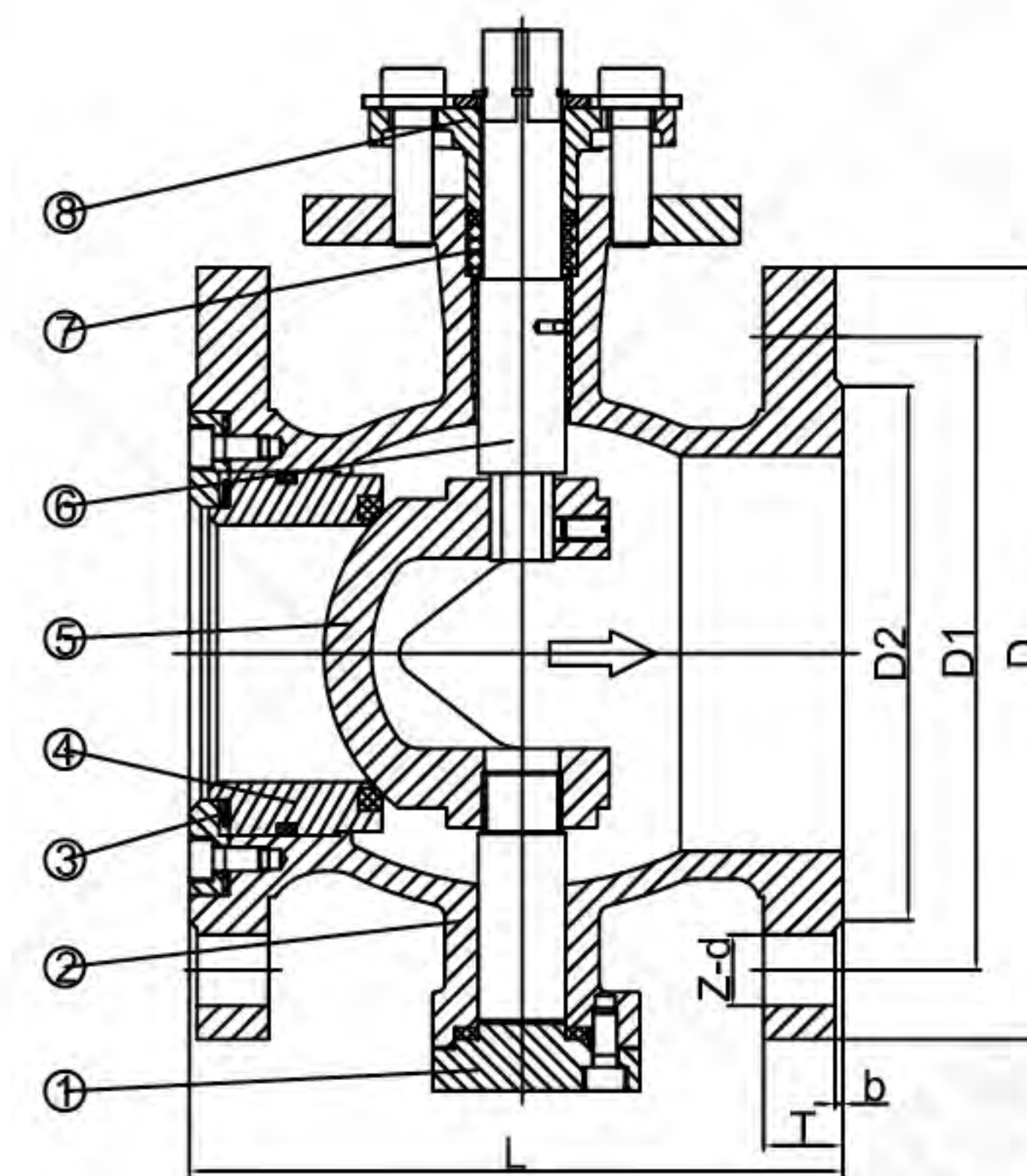
V-Type Flanged Ball Valves

■ Features

- > 1/2" through 8"
- > wafer or flange connection
- > 150LB working pressure
- > Temperature rating varies from with o-ring material
- > With characterized V-ports, slotted ports or custom ports,
- > V-Control Ball Valves provide accurate flow control.
- > Available in 3-Piece and Flanged bodies, V-Control valves offer superior rangeability, repeatability and high flow capacity.
- > Designed for easy automation
- > Ideal control element in process piping systems.
- > Inspection and testing meet API598

■ Material List

NO.	PARTS NAME	MATERIAL	QTY
1	GLAND	WCB/CF8/CF8M	1
2	BODY	WCB/CF8/CF8M	1
3	SEAL	FPM	2
4	SEAT	SS304+STL/SS316+STL	1
5	BALL	CF8+STL/CF8M/STL	1
6	STEM	SS304/SS316	1
7	PACKING	PTFE	1
8	PACKING RING	WCB/CF8/CF8M	1



■ Dimensional Data

Size		D	D1	D2	L1	d	T	f	L
DN	In.								
25	1	110	79.4	50.8	4	15.9	16	2	102
32	1¼	115	88.9	63.5	4	15.9	18	2	102
40	1½	125	98.4	73	4	15.9	18	2	114
50	2	150	120.7	92.1	4	19.1	18	2	124
65	2½	180	139.7	104.8	4	19.1	19	2	145
80	3	190	152.4	127	4	19.1	20	2	165
100	4	230	190.5	157.2	8	19.1	20	2	194
125	5	255	215.9	185.7	8	22.2	22	2	194
150	6	280	241.3	215.9	8	22.2	24	2	229
200	8	345	298.5	269.9	8	22.2	26	2	243

Valve Operator

Lever operation

- Pneumatic or electric actuators available.
- Limit switches, positioners, solenoid valves and many other customer options available.
- Contact FLOWX for appropriate choice and sizing of valve actuators.

ALL VALVES ARE 100% ELECTRONICALLY TESTED AT 80 PSI IN BOTH THE OPEN AND CLOSED POSITIONS

FLOWX VALVE • WORLD-CLASS VALVE SUPPLIERS • T (86) 021 3497 7873 • F (86) 021 5415 0271 • Email:sales@flowxvalve.com

V-Type Flanged Ball Valves

Features of Actuators

- > Heavy duty Rack and pinion design
- > Spring return or double acting
- > Open and closed adjustment stops
- > True NAMUR accessory and ISO mounting
- > Visual indicator, Top Mount indicator
- > High temperature and corrosion resistant models available
- > Solenoids, limit switches, positioners and other accessories are available

- > Fully adjustable limit switches allow for fine control of on-off positions
- > All electric actuators are available for modulating (4-20mA control) or on-off service
- > Motor has thermal overload protection
- > Running Time: 9s/13s/15s/30s/50s/100s/150s
- > Heavy-duty gear train motor with permanent lubrication
- > ISO bottom mounting for direct mount actuation with true ISO valves on most models



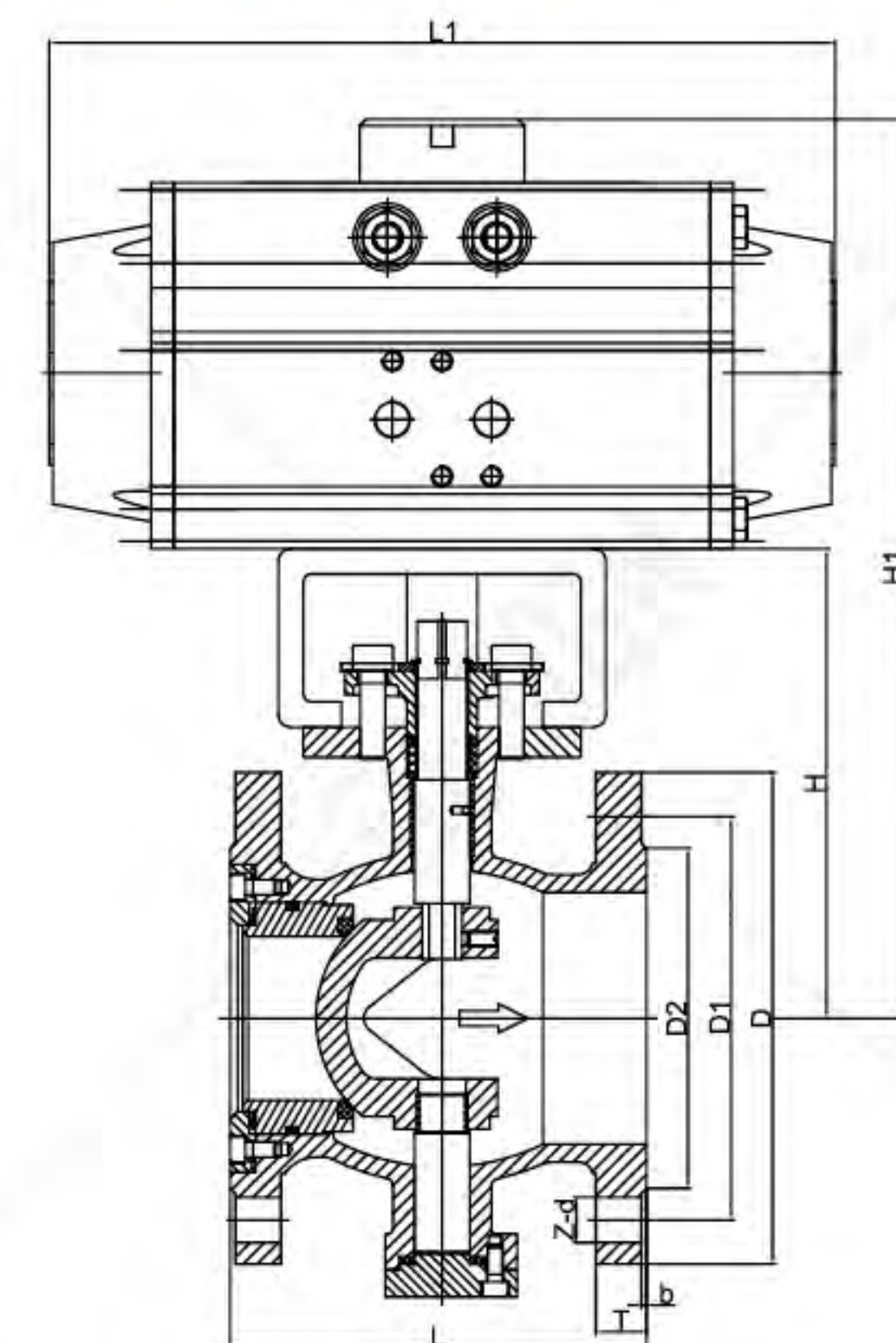
Pneumatically Operated



Electrically Operated

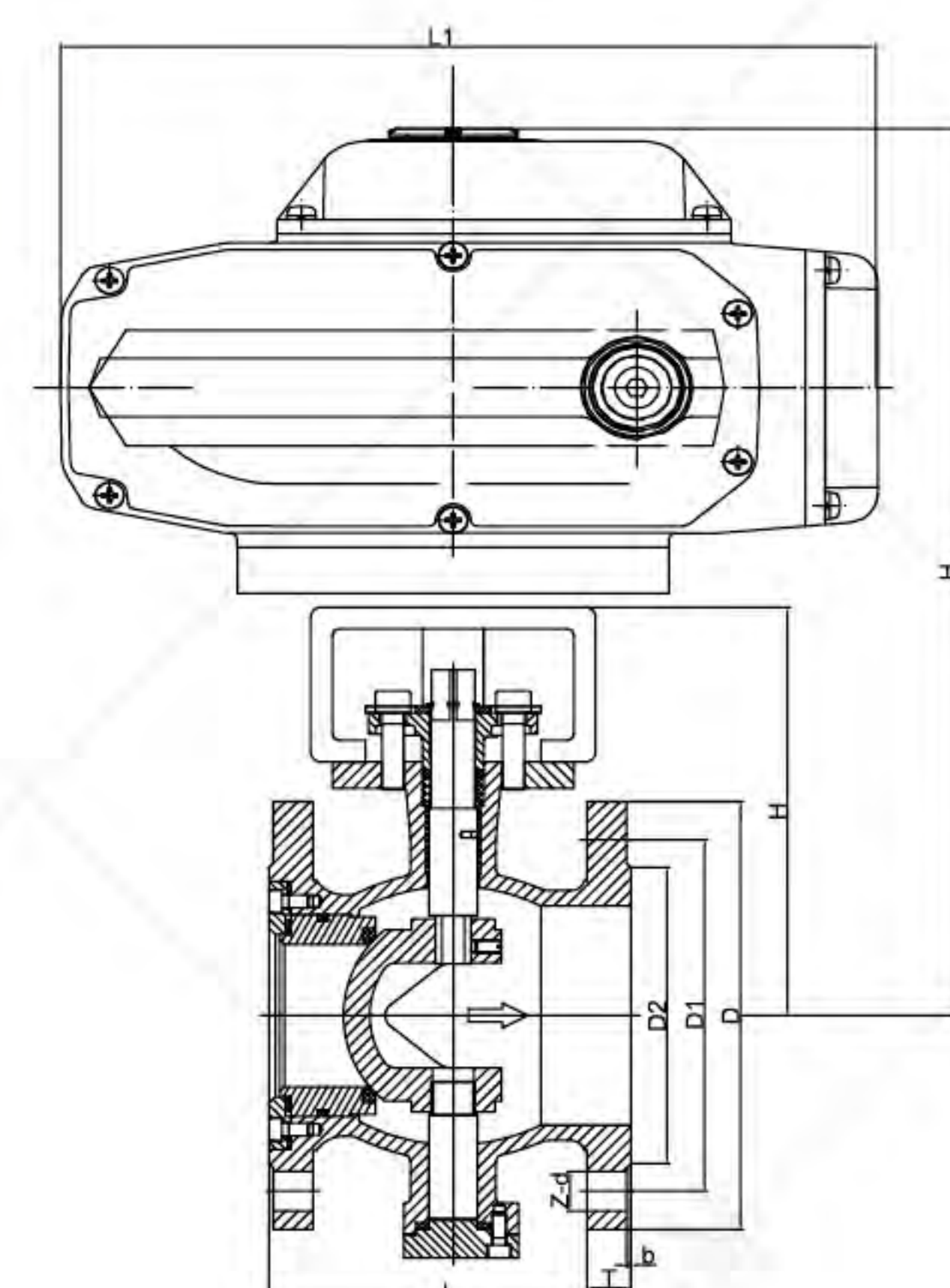
Dimensional Data

Size		D	D1	D2	Z	d	T	f	L	H	SR		DA	
DN	In.										H1	L1	H1	L1
25	1	110	79.4	50.8	4	15.9	16	2	102	133	261.5	237.5	250	207
32	1¼	115	88.9	63.5	4	15.9	18	2	102	138	264.5	237.5	255	207
40	1½	125	98.4	73	4	15.9	18	2	114	140	281.5	271.5	268.5	237.5
50	2	150	120.7	92.1	4	19.1	19	2	124	150	321.5	320	291.5	271.5
65	2½	180	139.7	104.8	4	19.1	20	2	145	165	348.5	366	336.5	320
80	3	190	152.4	127	4	19.1	20	2	165	178	361.5	366	349.5	320
100	4	230	190.5	157.2	8	19.1	22	2	194	190	396	428	373.5	366
125	5	255	215.9	185.7	8	22.2	22	2	194	205	427	430	411	428
150	6	280	241.3	215.9	8	22.2	24	2	229	235	509	532	457	430
200	8	345	298.5	269.9	8	22.2	26	2	243	265	583	662	539	532



Dimensional Data

Size		D	D1	D2	Z	d	T	f	L	H	L1	H1
DN	In.											
25	1	110	79.4	50.8	4	15.9	16	2	102	133	165	270.5
32	1¼	115	88.9	63.5	4	15.9	18	2	102	138	211.5	306.5
40	1½	125	98.1	73	4	15.9	18	2	114	140	211.5	282.5
50	2	150	120.7	92.1	4	19.1	19	2	124	150	259	353
65	2½	180	139.7	104.8	4	19.1	20	2	145	165	259	368
80	3	190	152.4	127	4	19.1	20	2	165	178	259	381
100	4	230	190.5	157.2	8	19.1	22	2	194	190	259	393
125	5	255	215.9	185.7	8	22.2	22	2	194	205	259	408
150	6	280	241.3	215.9	8	22.2	24	2	229	235	259	438
200	8	345	298.5	269.9	8	22.2	26	2	243	265	283.5	495



ALL VALVES ARE 100% ELECTRONICALLY TESTED AT 80 PSI IN BOTH THE OPEN AND CLOSED POSITIONS

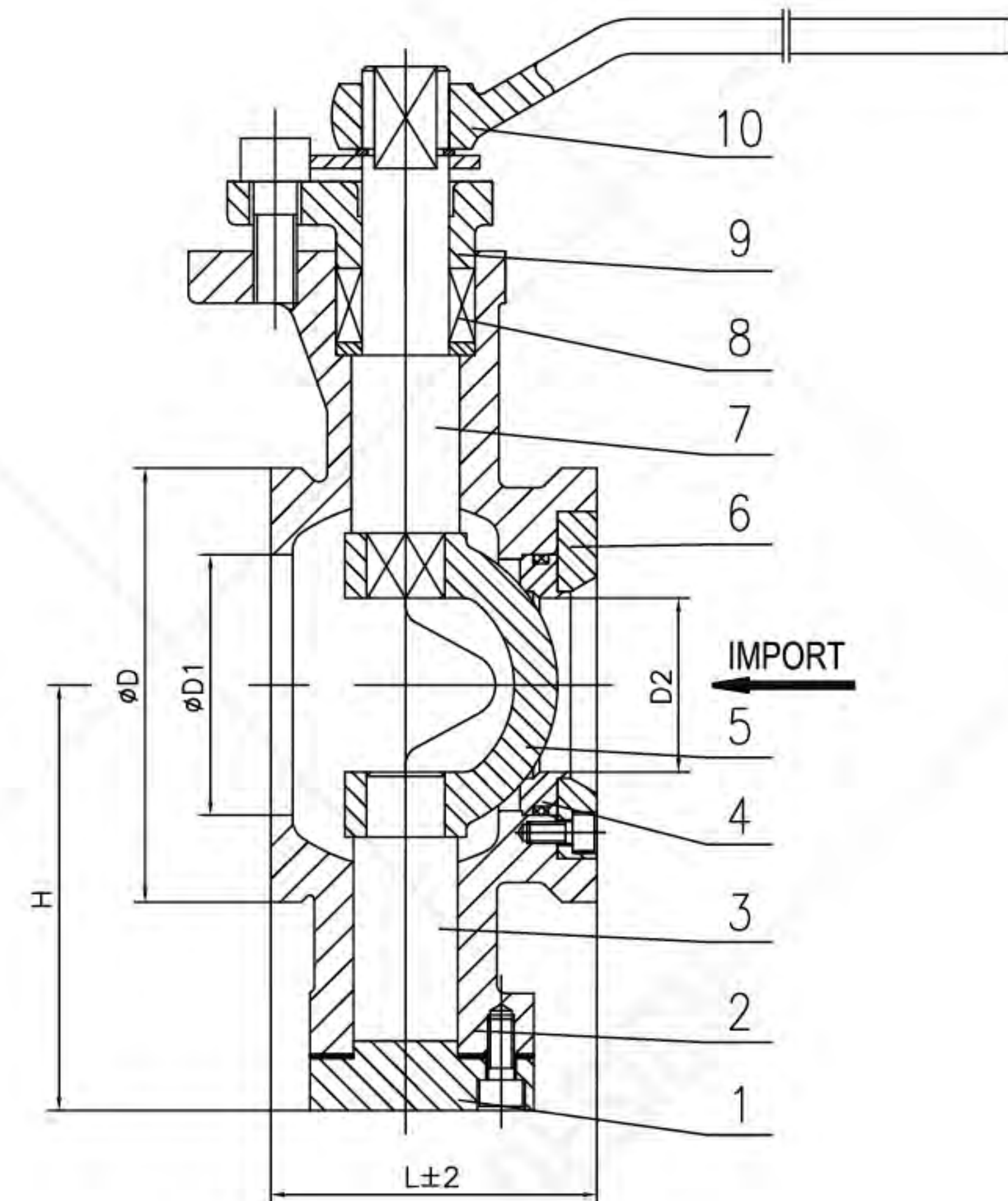
V-type Wafer Type Ball Valves

■ Features

- > 1/2" through 10"
- > wafer or flange connection
- > PN16 working pressure
- > Temperature rating varies from with o-ring material
- > With characterized V-ports, slotted ports or custom ports,
- > V-Control Ball Valves provide accurate flow control.
- > Available in 3-Piece and Flanged bodies, V-Control valves offer
- > superior rangeability, repeatability and high flow capacity.
- > Designed for easy automation
- > Ideal control element in process piping systems.
- > Inspection and testing meet GB/T13927

■ Material List

NO.	PARTS NAME	MATERIAL
1	COVER	WCB/CF8/CF8M
2	BODY	WCB/CF8/CF8M
3	LOWER STEM	20Cr13
4	SEAT	A105+STL/SS304+STL316+STL
5	BALL	CF8+NITRIDING/CF8M+NITRIDING
6	STEM AND CAP	A105/SS304/SS316
7	UPPER STEM	20Cr13
8	PACKING	PTFE
9	PACKING GLAND	WCB/CF8/CF8M
10	HANDLE	WCB



■ Dimensional Data

Size		L	D	D1	D2	H
DN	In.					
25	1	50	66	35	20	73
32	1¼	60	81	48	30	85
40	1½	60	81	48	30	85
50	2	75	100	59	38	99
65	2½	85	120	72	50	113
80	3	100	132	105	60	127
100	4	115	158	125	72	137
125	5	135	183	150	92	155
150	6	160	216	170	115	172
200	8	200	268	210	145	198
250	10	240	323	258	200	231

Valve Operator

Lever operation

- Pneumatic or electric actuators available.
- Limit switches, positioners, solenoid valves and many other customer options available.
- Contact FLOWX for appropriate choice and sizing of valve actuators.

ALL VALVES ARE 100% ELECTRONICALLY TESTED AT 80 PSI IN BOTH THE OPEN AND CLOSED POSITIONS

FLOWX VALVE • WORLD-CLASS VALVE SUPPLIERS • T (86) 021 3497 7873 • F (86) 021 5415 0271 • Email:sales@flowxvalve.com

V-type Wafer Type Ball Valves

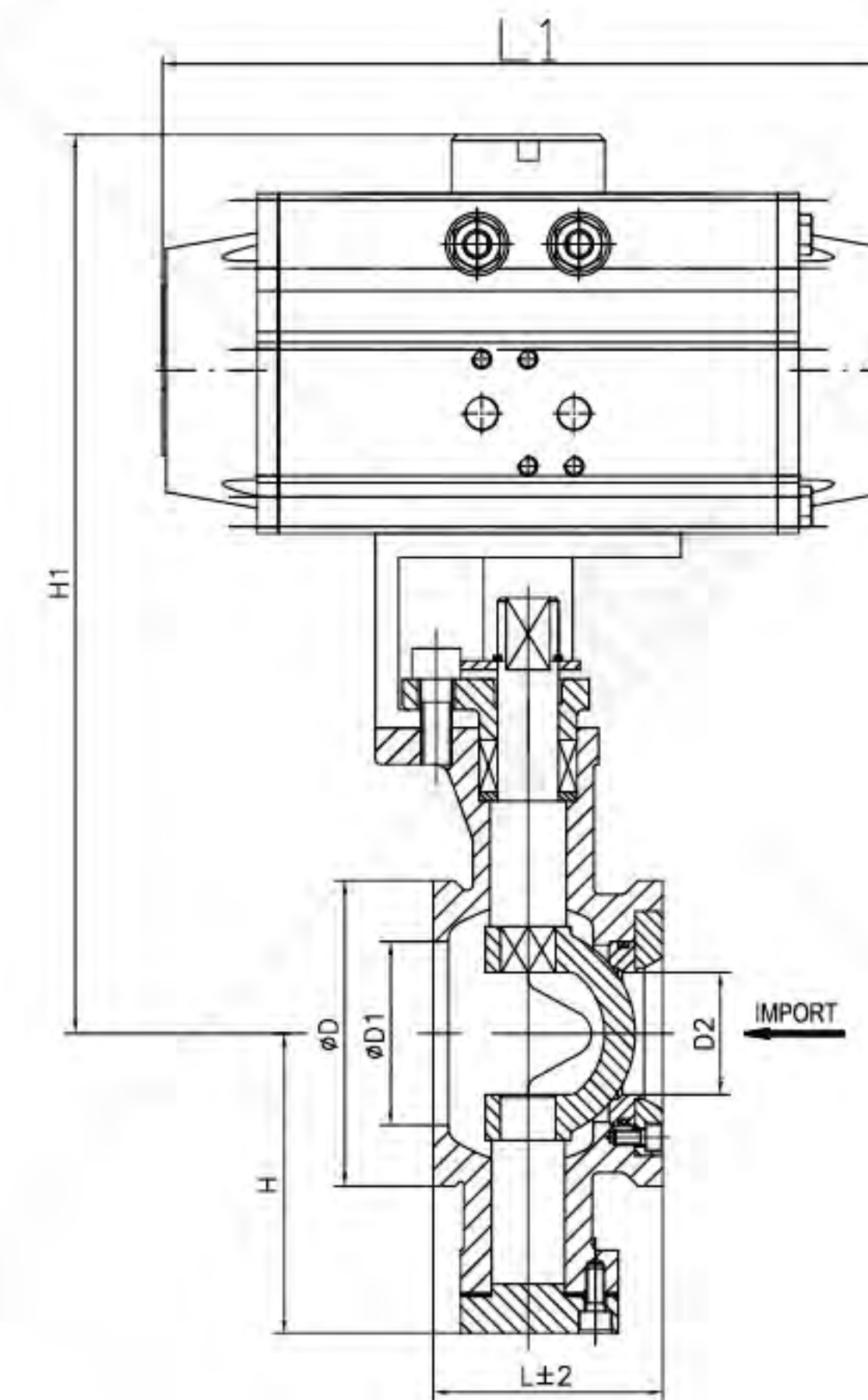
Features of Actuators

- > Heavy duty Rack and pinion design
- > Spring return or double acting
- > Open and closed adjustment stops
- > True NAMUR accessory and ISO mounting
- > Visual indicator, Top Mount indicator
- > High temperature and corrosion resistant models available
- > Solenoids, limit switches, positioners and other accessories are available

- > Fully adjustable limit switches allow for fine control of on-off positions
- > All electric actuators are available for modulating (4-20mA control) or on-off service
- > Motor has thermal overload protection
- > Running Time: 9s/13s/15s/30s/50s/100s/150s
- > Heavy-duty gear train motor with permanent lubrication
- > ISO bottom mounting for direct mount actuation with true ISO valves on most models

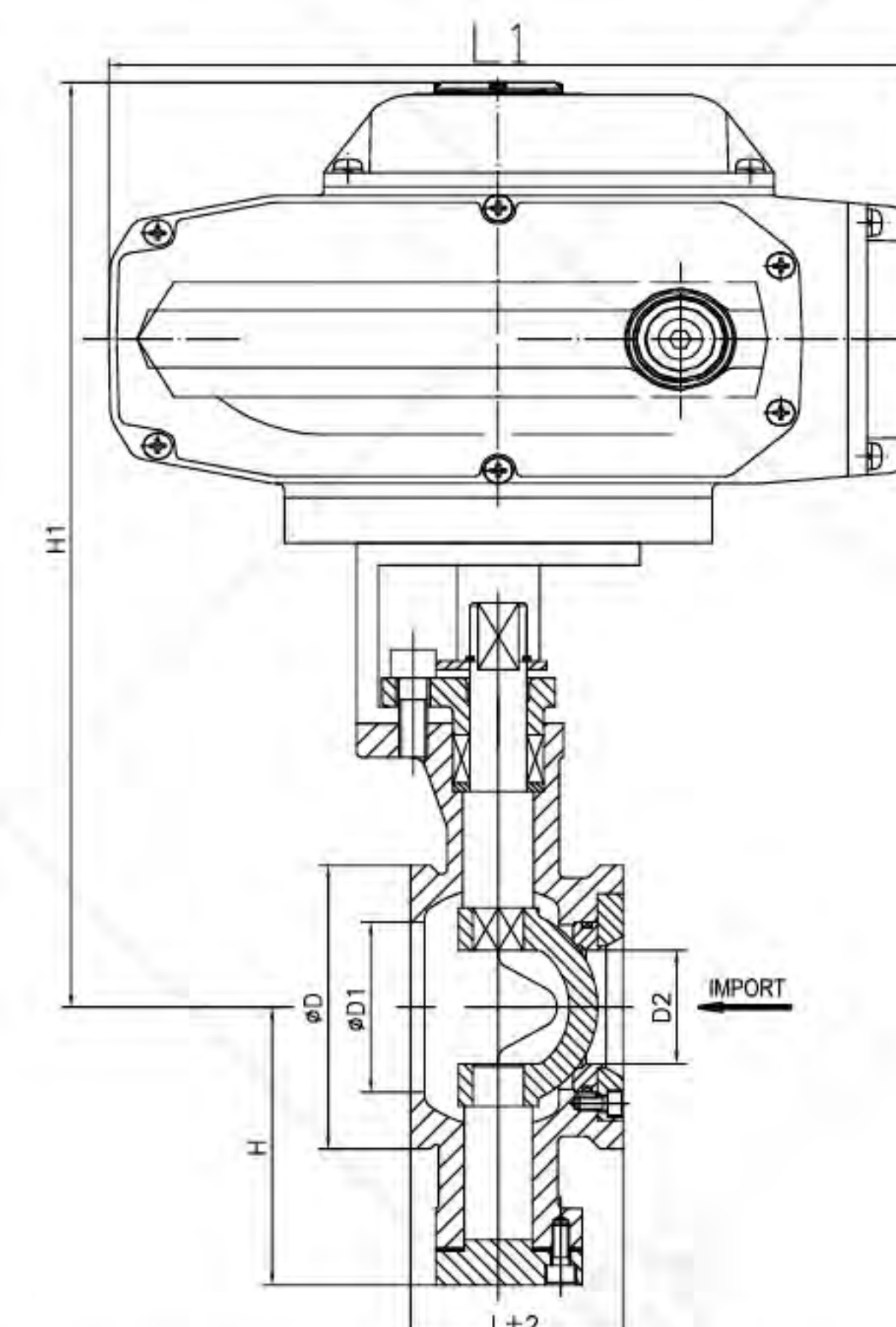
Dimensional Data

Size		L	D	D1	D2	H	SR		DA	
DN	In.						H1	L1	H1	L1
25	1	50	66	35	20	73	257	207	240.5	162
32	1¼	60	81	48	30	85	289.5	237.5	278	207
40	1½	60	81	48	30	85	289.5	237.5	278	207
50	2	75	100	59	38	99	321.5	271.5	308.5	237.5
65	2½	85	120	72	50	113	367.5	328	337.5	271.5
80	3	100	132	105	60	127	402.5	366	390.5	328
100	4	115	158	125	72	137	444	428	421.5	366
125	5	135	183	150	82	155	538	482	508	430
150	6	160	216	170	115	172	575	532	553	482
200	8	200	268	210	145	198	649	662	605	532



Dimensional Data

Size		L	D	D1	D2	H	L1	H1
DN	In.							
25	1	50	66	35	20	73	165	277.5
32	1¼	60	81	48	30	85	165	298.5
40	1½	60	81	48	30	85	165	298.5
50	2	75	100	59	38	99	211.5	348.5
65	2½	85	120	72	50	113	259	399
80	3	100	132	105	60	127	259	422
100	4	115	158	125	72	137	259	441
125	5	135	183	150	92	155	259	489
150	6	160	216	170	115	172	283.5	530.5
200	8	200	268	210	145	198	283.5	560.5



ALL VALVES ARE 100% ELECTRONICALLY TESTED AT 80 PSI IN BOTH THE OPEN AND CLOSED POSITIONS

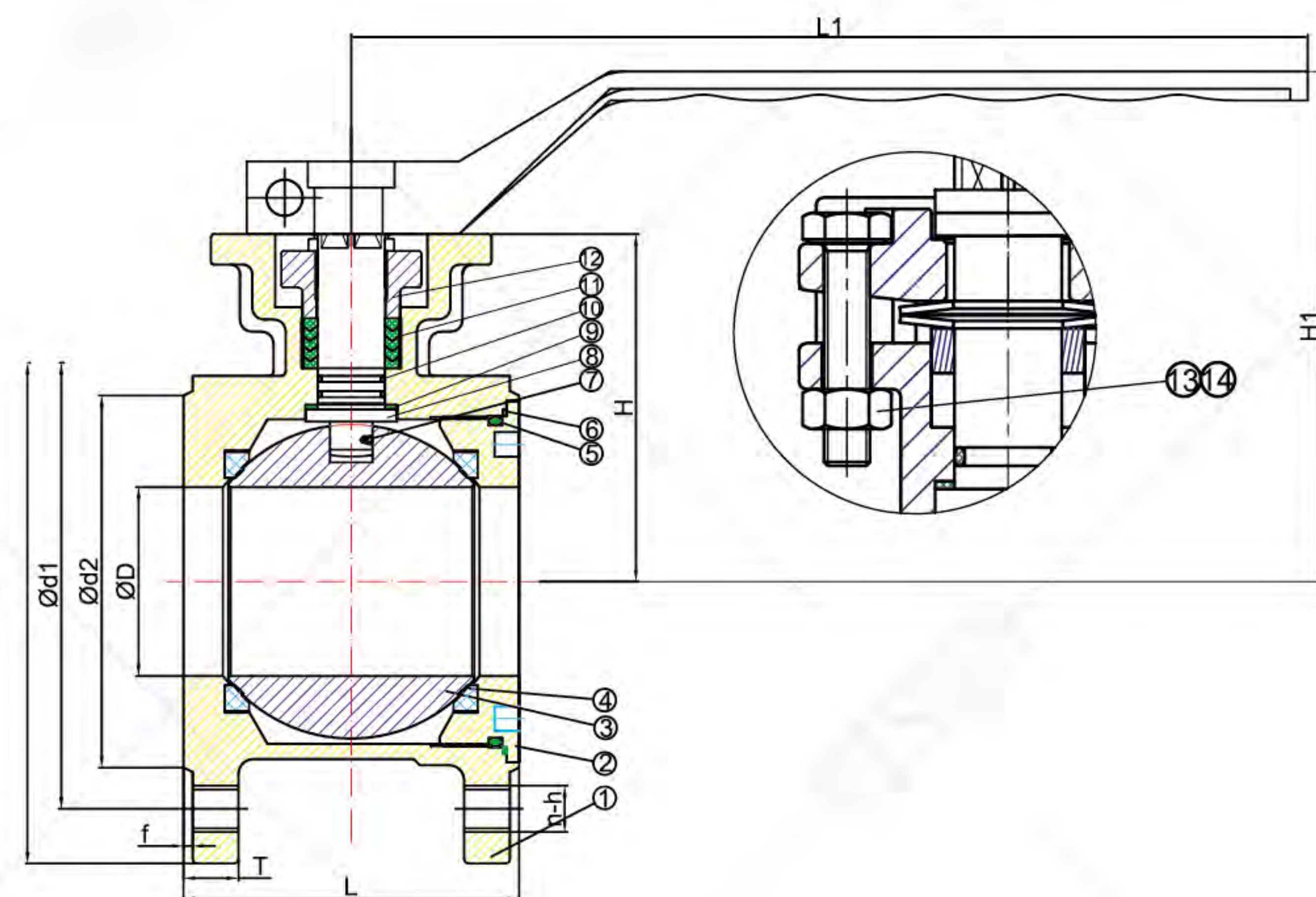
Thin Type Ball Valves

■ Features

- > Full port stainless ball valve
- > 1/2" through 4"
- > Antistatic device
- > Blowout-proof stem
- > PN16 working pressure
- > Temperature rating varies from with o-ring material
- > API 607 fire safe tested and certified
- > Inspection and testing to current API598,API 6D

■ Material List

NO.	PARTS NAME	MATERIAL	QTY
1	BODY	1.4308/1.4408	1
2	BONNET	SS304/SS316	1
3	BALL	SS304/SS316	1
4	SEAT	TFM1600	1
5	O-RING	VITON	1
6	SEAT	PTFE	1
7	ESD	SS	1
8	STEM	SS304/SS316	1
9	THRUST WASHER	RPTFE	1
10	O-RING	VITON	2
11	PACKING	TFM1600	3
12	PACKING RING	SS	1
13	NUT	A2-70	2
14	BOLT	A2-70	2



■ Dimentional Data

Size		D	d	d1	d2	n	h	T	f	L	H	L1	H1	WT (kg)
DN	In.													
15	1/2	15	95	65	45	4	M12	14	2	44	62	165	90	2.5
20	3/4	20	105	75	58	4	M12	16	2	44	62	165	90	3.2
25	1	25	115	85	68	4	M12	16	2	50	68	196	98	4.1
32	1 1/4	32	140	100	78	4	M16	18	2	60	79	196	109	5.8
40	1 1/2	38	150	110	88	4	M16	18	3	65	86	232	123.5	7.6
50	2	49	165	125	102	4	M16	20	3	80	87	232	124.5	9.7
65	2 1/2	62	185	145	122	4	M16	18	3	110	114	300	184	14.5
80	3	74	200	160	138	8	M16	20	3	120	134	300	204	17.1
100	4	100	220	180	158	8	M16	20	3	152	146	400	238	23.4

Valve Operator

Lever operation

- Pneumatic or electric actuators available.
- Limit switches, positioners, solenoid valves and many other customer options available.
- Contact FLOWX for appropriate choice and sizing of valve actuators.

ALL VALVES ARE 100% ELECTRONICALLY TESTED AT 80 PSI IN BOTH THE OPEN AND CLOSED POSITIONS

FLOWX VALVE • WORLD-CLASS VALVE SUPPLIERS • T (86) 021 3497 7873 • F (86) 021 5415 0271 • Email:sales@flowxvalve.com

Thin Type Ball Valves

■ Features of Actuators

- > Heavy duty Rack and pinion design
- > Spring return or double acting
- > Open and closed adjustment stops
- > True NAMUR accessory and ISO mounting
- > Visual indicator, Top Mount indicator
- > High temperature and corrosion resistant models available
- > Solenoids, limit switches, positioners and other accessories are available

- > Fully adjustable limit switches allow for fine control of on-off positions
- > All electric actuators are available for modulating (4-20mA control) or on-off service
- > Motor has thermal overload protection
- > Running Time: 9s/13s/15s/30s/50s/100s/150s
- > Heavy-duty gear train motor with permanent lubrication
- > ISO bottom mounting for direct mount actuation with true ISO valves on most models



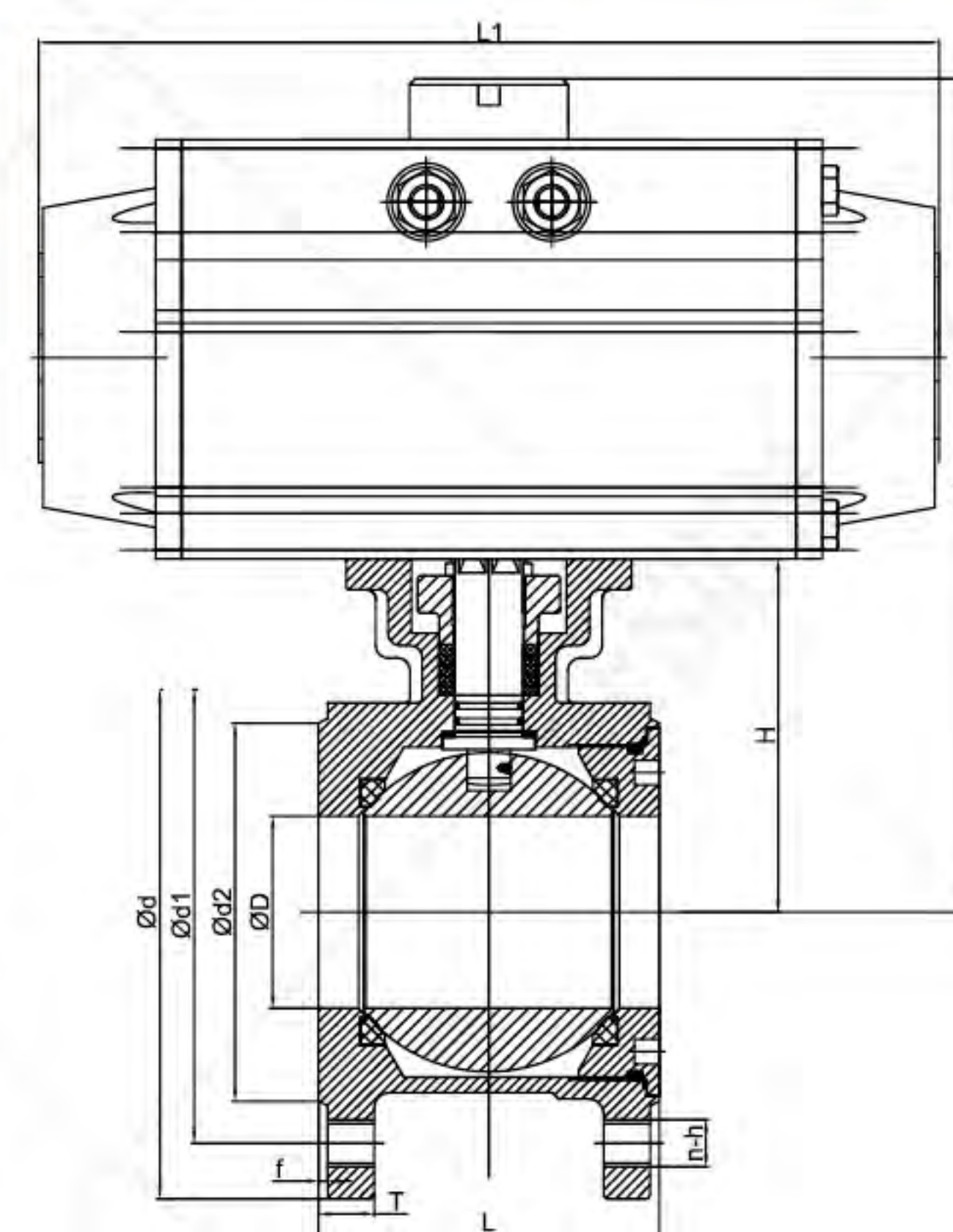
Pneumatically Operated



Electrically Operated

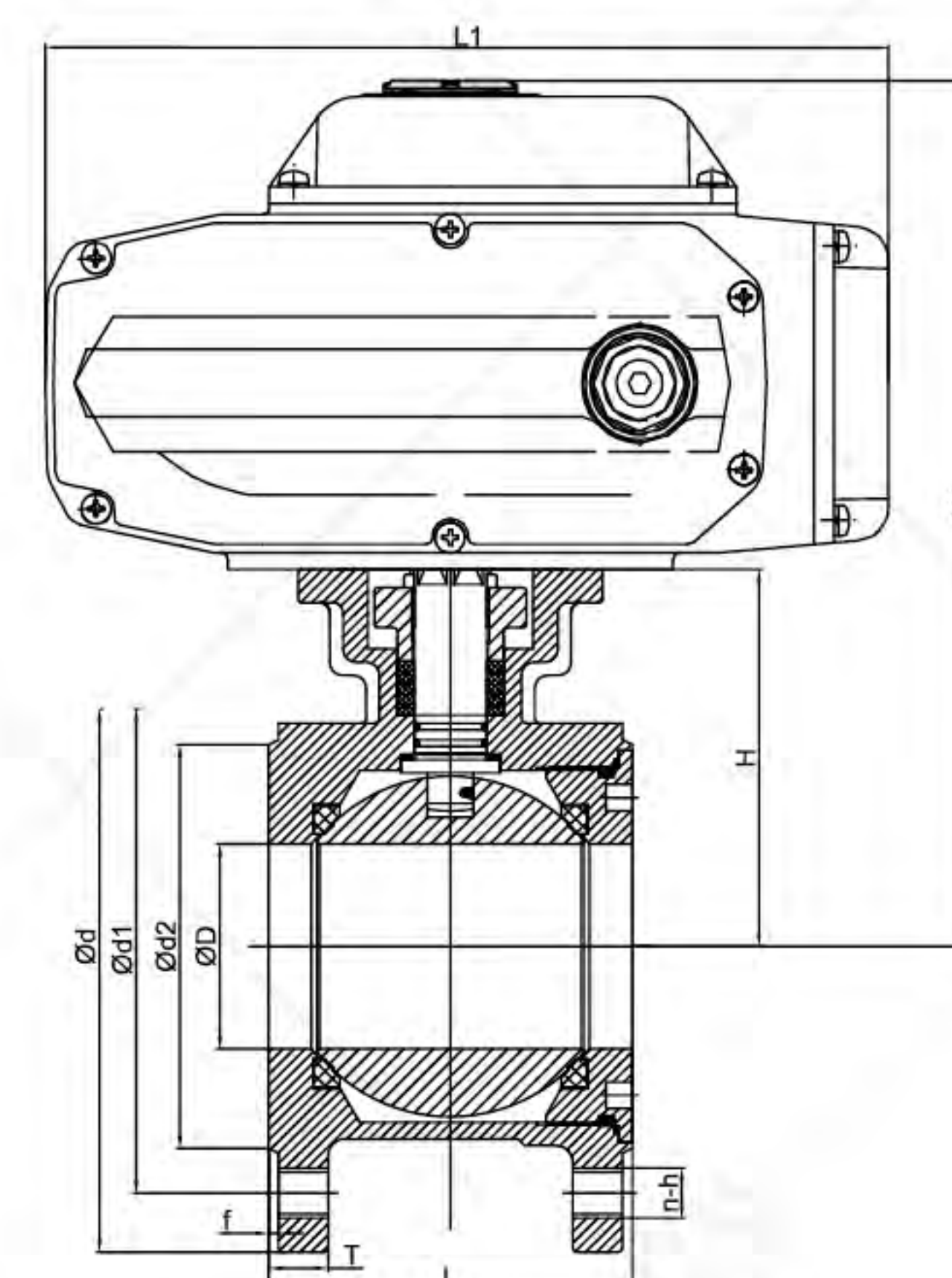
■ Dimensional Data

Size		D	d	d1	d2	n	h	T	f	L	H	SR		DA	
DN	In.											H1	L1	H1	L1
15	1/2	15	95	65	45	4	M12	14	2	44	62	162.5	162	151.5	139.5
20	3/4	20	105	75	58	4	M12	16	2	44	62	179	207	162.5	162
25	1	25	115	85	68	4	M12	16	2	50	68	185	207	168.5	162
32	1 1/4	32	140	100	78	4	M16	18	2	60	79	196	207	179.5	162
40	1 1/2	38	150	110	88	4	M16	18	3	65	86	214.5	237.5	203	207
50	2	49	165	125	102	4	M16	20	3	80	87	228.5	271.5	215	237.5
65	2 1/2	62	185	145	122	4	M16	18	3	110	114	285.5	328	255.5	271.5
80	3	74	200	160	138	8	M16	20	3	120	134	317.5	366	305.5	328
100	4	100	220	180	158	8	M16	20	3	152	146	352	428	329.5	366



■ Dimensional Data

Size		D	d	d1	d2	n	h	T	f	L	H	H1	L1
DN	In.												
15	1/2	15	95	65	45	4	M12	14	2	44	62	199.5	165
20	3/4	20	105	75	58	4	M12	16	2	44	62	199.5	165
25	1	25	115	85	68	4	M12	16	2	50	68	205.5	165
32	1 1/4	32	140	100	78	4	M16	18	2	60	79	216.5	165
40	1 1/2	38	150	110	88	4	M16	18	3	65	86	254.5	211.5
50	2	49	165	125	102	4	M16	20	3	80	87	255.5	211.5
65	2 1/2	62	185	145	122	4	M16	18	3	110	114	317	259
80	3	74	200	160	138	8	M16	20	3	120	134	337	259
100	4	100	220	180	158	8	M16	20	3	152	146	349	259



ALL VALVES ARE 100% ELECTRONICALLY TESTED AT 80 PSI IN BOTH THE OPEN AND CLOSED POSITIONS

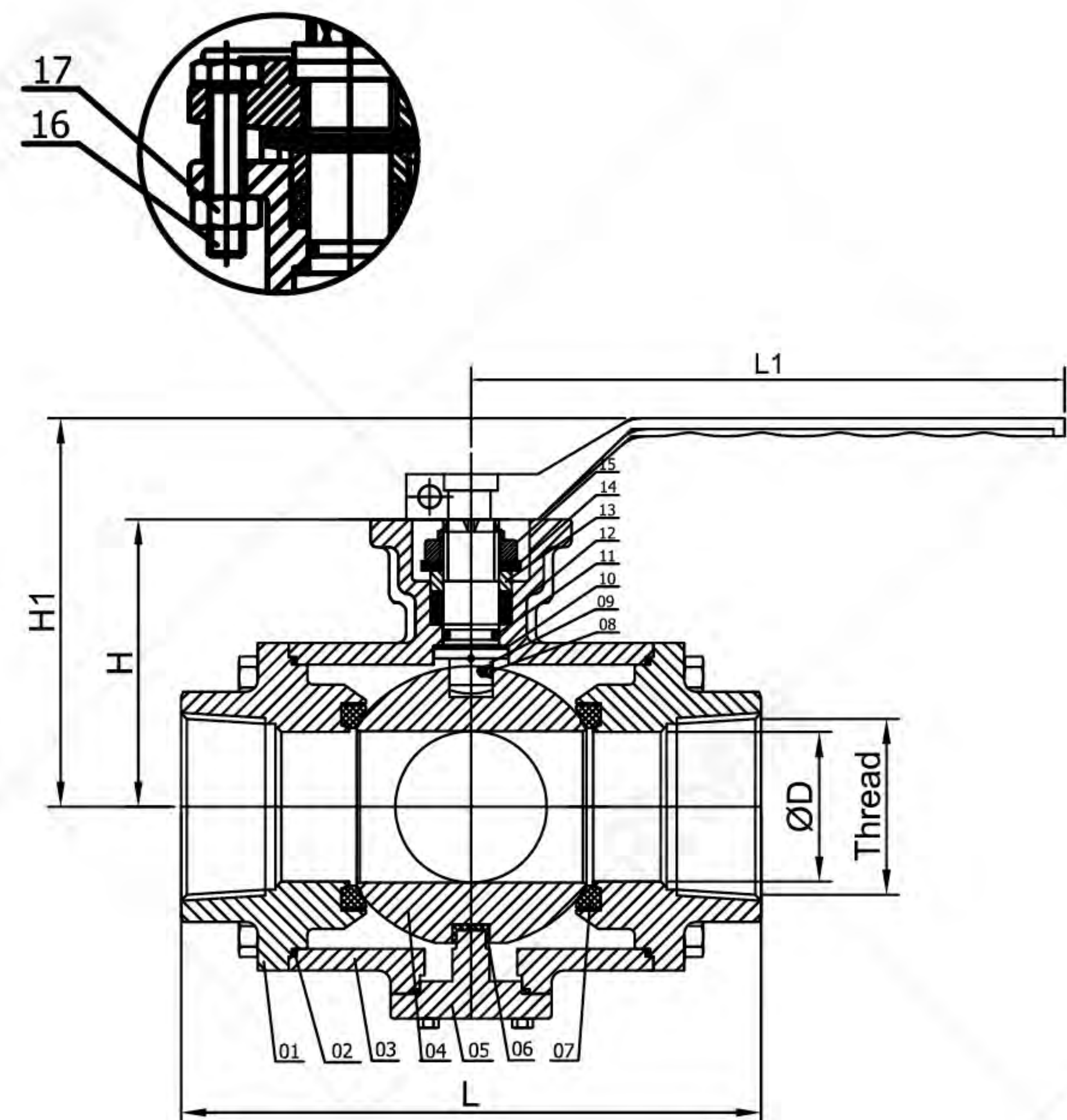
3-Way Thread Ball Valves

■ Features

- > L-Port or T-Port Configurations
- > Threaded End Connections
- > 1/2" through 4"
- > Electric and Pneumatic Actuators
- > 4-Seat Design for high cycling
- > Cost-efficient Actuators
- > Secure True ISO Mounting Pad
- > Most models are direct mount for lowest possible stack up height
- > Ported 3 way ball valves offering excellent versatility for mixing and diverting applications.

■ Material List

NO.	PARTS NAME	MATERIAL		
1	BONNET	WCB	CF8	CF8M
2	SEAT	TFM1600		
3	BODY	WCB	CF8	CF8M
4	BALL	SS304	SS304	SS316
5	FIXED SEAT	SS304	SS304	SS316
6	WEAR-PROOF CASING	PTFE		
7	SEAT	TFM1600		
8	ESD	SS		
9	STEM	SS316		
10	THRUST WASHER	RTFE		
11	O-RING	VITON		
12	PACKING	TFM1600		
13	PACKING RING	SS		
14	DISC SPRING	SS		
15	PACKING GLAND	WCB	SS	SS
16	BOLT	A 193 B7	A 193 B8	A 193 B8
17	NUT	A 194 2H	A 194 8	A 194 8



■ Dimensional Data

Size		PN	ΦD	L	H	L1	H1	THREAD
DN	In.							
15	1/2	16	15	120	64.5	165	92.5	NPT BSP PT DIN etc
20	3/4	16	20	120	64.5	165	92.5	
25	1	16	25	135	67.5	196	97.5	
32	1 1/4	16	32	152	78.5	196	108.5	
40	1 1/2	16	38	170	85	232	122.5	
50	2	16	50	190	93	232	130.2	
65	2 1/2	16	64	240	121	300	191	
80	3	16	76	285	153	300	223	
100	4	16	100	330	170.5	400	262.5	

Valve Operator

Lever operation

- Pneumatic or electric actuators available.
- Limit switches, positioners, solenoid valves and many other customer options available.
- Contact FLOWX for appropriate choice and sizing of valve actuators.

ALL VALVES ARE 100% ELECTRONICALLY TESTED AT 80 PSI IN BOTH THE OPEN AND CLOSED POSITIONS

FLOWX VALVE • WORLD-CLASS VALVE SUPPLIERS • T (86) 021 3497 7873 • F (86) 021 5415 0271 • Email:sales@flowxvalve.com

3-Way Thread Ball Valves

■ Features of Actuators

- > Heavy duty Rack and pinion design
- > Spring return or double acting
- > Open and closed adjustment stops
- > True NAMUR accessory and ISO mounting
- > Visual indicator, Top Mount indicator
- > High temperature and corrosion resistant models available
- > Solenoids, limit switches, positioners and other accessories are available

- > Fully adjustable limit switches allow for fine control of on-off positions
- > All electric actuators are available for modulating (4-20mA control) or on-off service
- > Motor has thermal overload protection
- > Running Time: 9s/13s/15s/30s/50s/100s/150s
- > Heavy-duty gear train motor with permanent lubrication
- > ISO bottom mounting for direct mount actuation with true ISO valves on most models



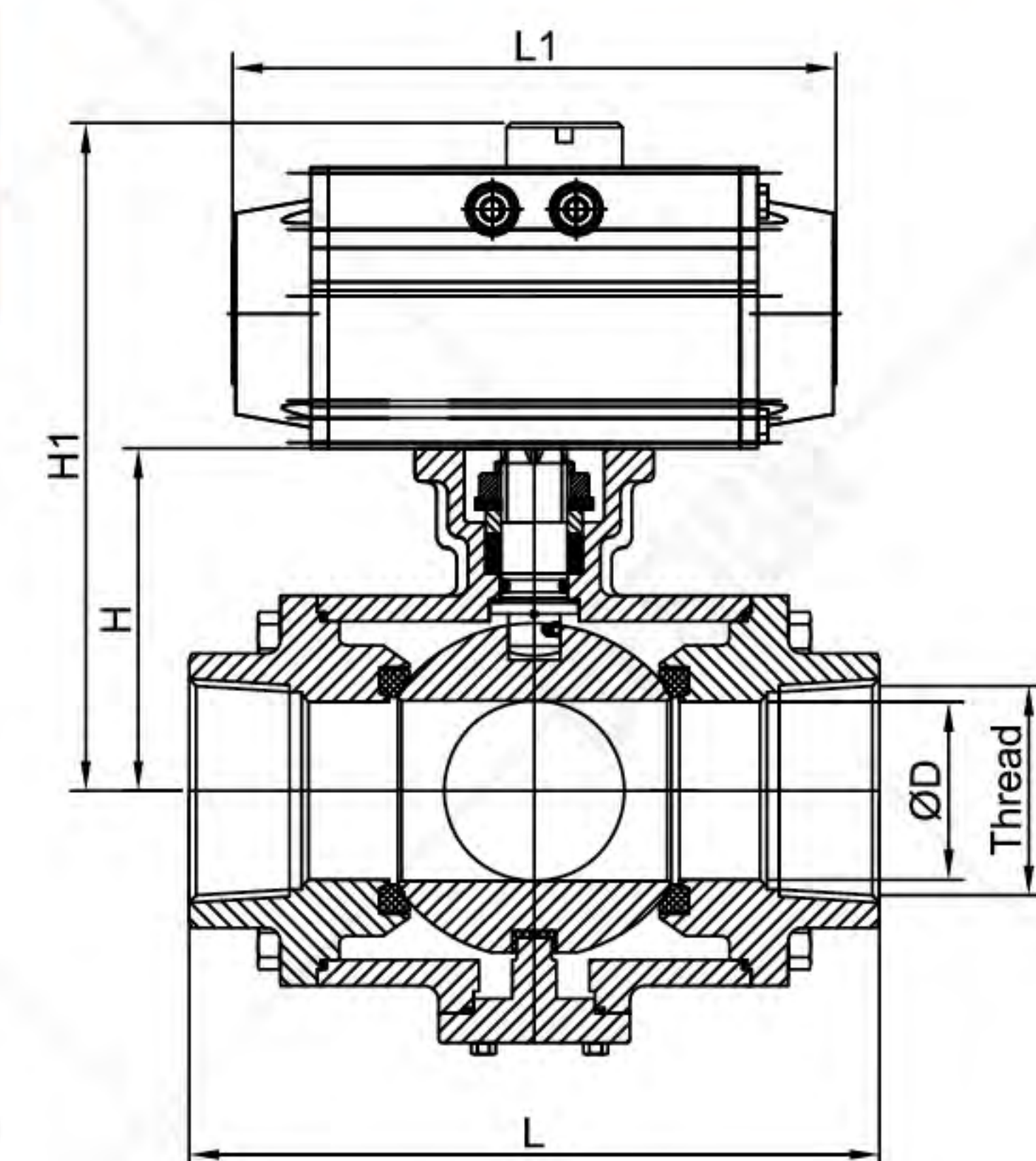
Pneumatically Operated



Electrically Operated

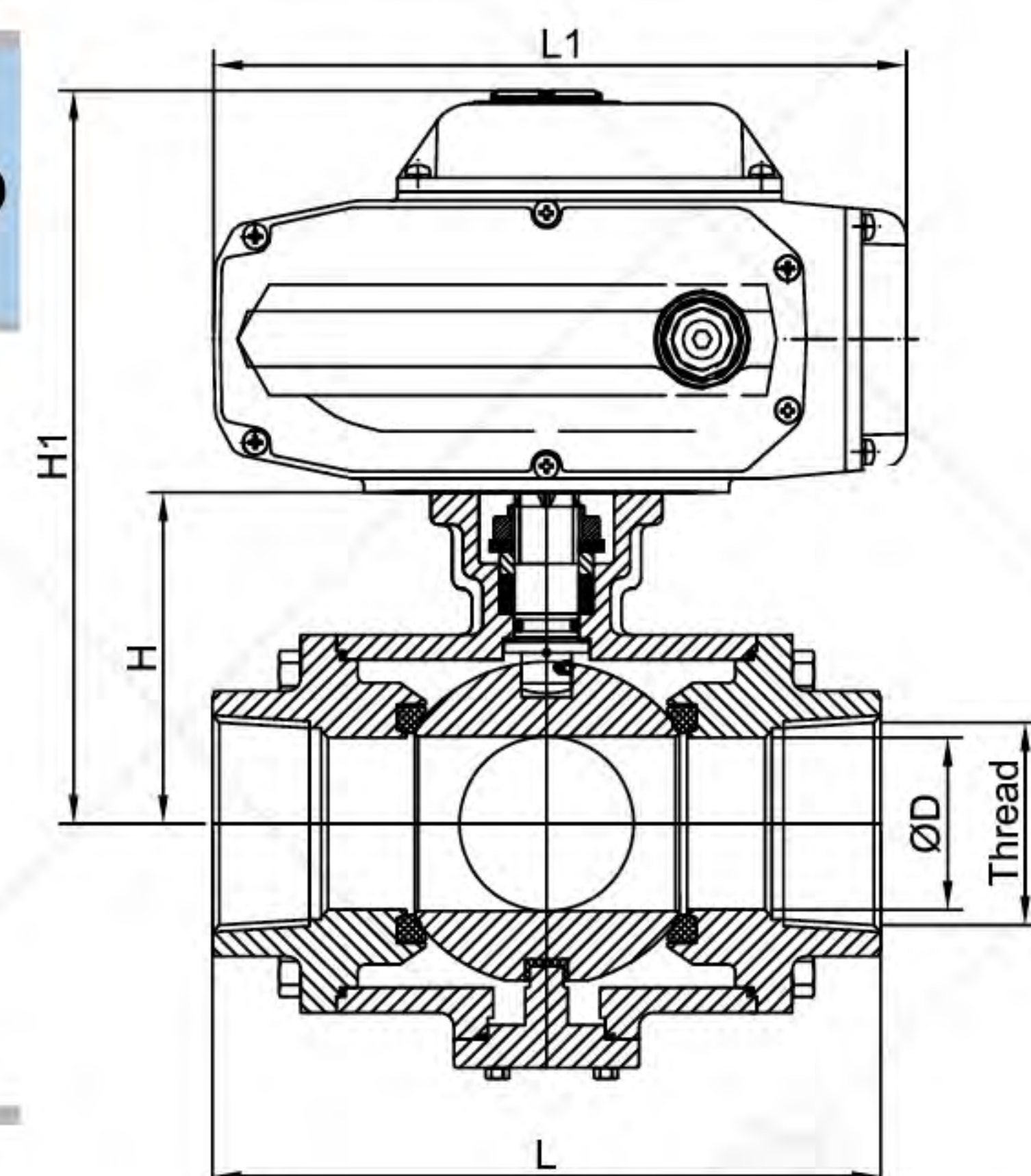
■ Dimensional Data

Size		PN	ΦD	L	H	SR		DA		THREAD
DN	In.					H1	L1	H1	L1	
15	1	16	15	120	64.5	165	162	154	139.5	NPT BSP PT DIN etc
20	1¼	16	20	120	64.5	165	162	154	139.5	
25	1½	16	25	135	67.5	184.5	207	168	162	
32	2	16	32	152	78.5	195.5	207	179	162	
40	2½	16	38	170	85	213.3	237.5	202	207	
50	3	16	50	190	93	211.5	237.5	210	207	
65	4	16	64	240	121	262.5	271.5	249.5	237.5	
80	5	16	76	285	153	324.5	328	294.5	271.5	
100	6	16	100	330	170.5	354.5	366	342	328	



■ Dimensional Data

Size		PN	ΦD	L	H	H1	L1	THREAD
DN	In.							
15	1	16	15	120	64.5	202	165	NPT BSP PT DIN etc
20	1¼	16	20	120	64.5	202	165	
25	1½	16	25	135	67.5	205	165	
32	2	16	32	152	78.5	216	165	
40	2½	16	38	170	85	222.5	165	
50	3	16	50	190	93	261.5	211.5	
65	4	16	64	240	121	324	259	
80	5	16	76	285	153	356	259	
100	6	16	100	330	170.5	373.5	259	



ALL VALVES ARE 100% ELECTRONICALLY TESTED AT 80 PSI IN BOTH THE OPEN AND CLOSED POSITIONS

3-Way Flange Ball Valves

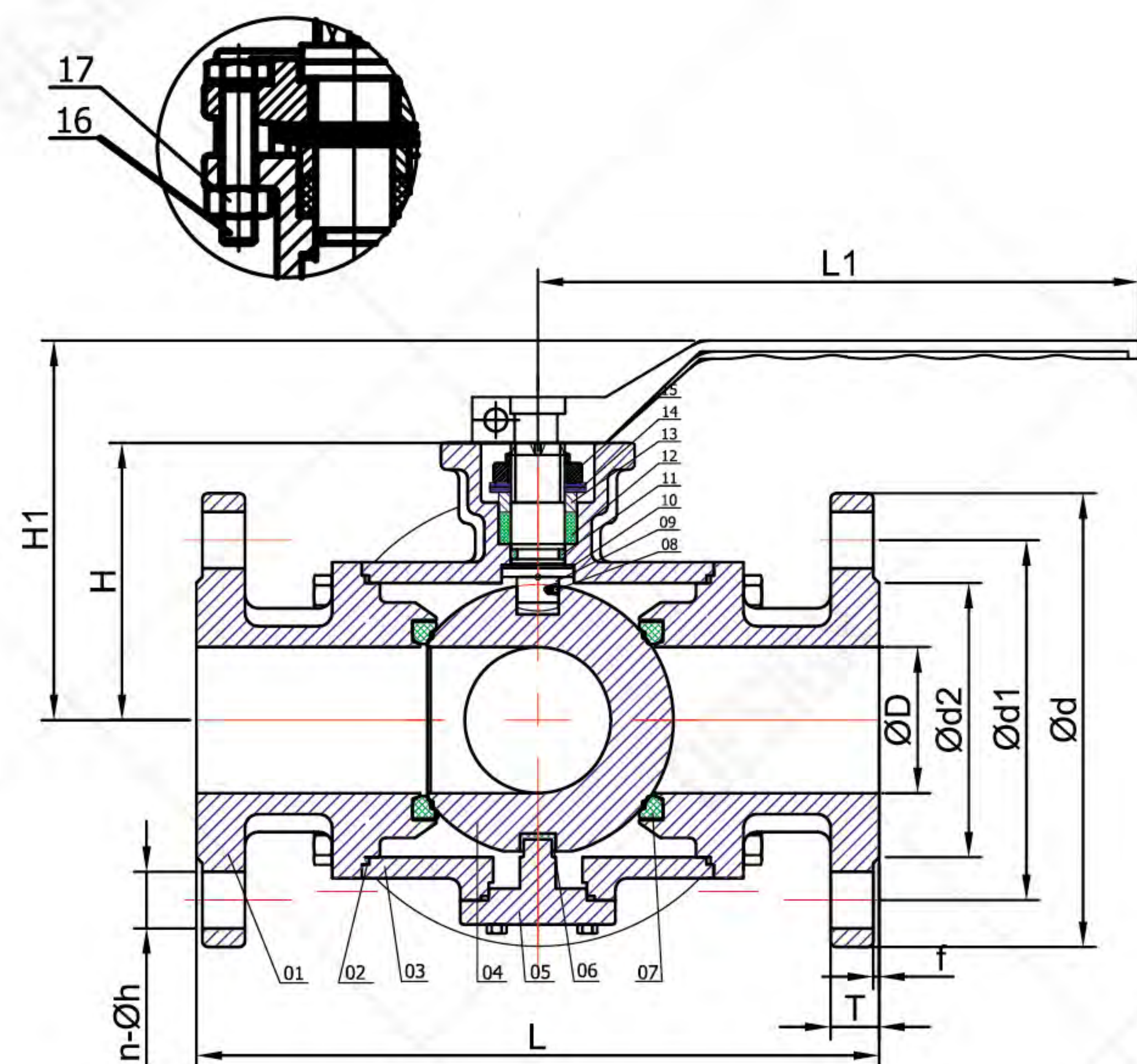
Features

- > 1/2" through 4"
- > L-Port or T-Port Configurations
- > ANSI 150# Flanged Ends
- > Electric and Pneumatic Actuators
- > 4-Seat Design for high cycling
- > Cost-efficient Actuators
- > Secure True ISO Mounting Pad
 - Most models are direct mount for lowest possible stack up height
- > Ported 3 way ball valves offering excellent versatility for mixing and diverting applications.
- > ISO 5211 Secure Mount actuator top flange



Material List

NO.	PARTS NAME	MATERIAL		
1	BONNET	WCB	CF8	CF8M
2	SEAT	TFM1600		
3	BODY	WCB	CF8	CF8M
4	BALL	SS304	SS304	SS316
5	FIXED SEAT	SS304	SS304	SS316
6	WEAR-PROOF CASING	PTFE		
7	SEAT	TFM1600		
8	ESD	SS		
9	STEM	SS316		
10	THRUST WASHER	RTFE		
11	O-RING	VITON		
12	PACKING	TFM1600		
13	PACKING RING	SS		
14	DISC SPRING	SS		
15	PACKING GLAND	WCB	SS	SS
16	BOLT	A 193 B7	A 193 B8	A 193 B8
17	NUT	A 194 2H	A 194 8	A 194 8



Dimensional Data

Size		PN	ΦD	Φd	Φd1	Φd2	L	n	Φh	T	f	H	H1	L1
DN	In.													
15	1/2	10-40	15	95	65	45	155	4	14	16	2	64.5	92.5	165
20	3/4	10-40	20	105	75	58	165	4	14	18	2	64.5	92.5	165
25	1	10-40	25	115	85	68	181	4	14	18	2	67.5	97.5	196
32	1 1/4	10-40	32	140	100	78	190	4	18	18	2	75.5	108.5	196
40	1 1/2	10-40	40	150	110	88	212	4	18	18	3	85	122.5	232
50	2	10-40	50	165	125	102	232	4	18	20	3	93	130.5	232
65	2 1/2	10-40	65	185	145	122	290	4	18	22	3	121	191	300
80	3	10-16	76	200	160	138	310	8	18	20	3	153	223	300
100	4	10-40	100	220	180	158	352	8	18	22	3	170.5	262	400

Valve Operator

Lever operation

- Pneumatic or electric actuators available.
- Limit switches, positioners, solenoid valves and many other customer options available.
- Contact FLOWX for appropriate choice and sizing of valve actuators.

ALL VALVES ARE 100% ELECTRONICALLY TESTED AT 80 PSI IN BOTH THE OPEN AND CLOSED POSITIONS

FLOWX VALVE • WORLD-CLASS VALVE SUPPLIERS • T (86) 021 3497 7873 • F (86) 021 5415 0271 • Email:sales@flowxvalve.com

3-Way Flange Ball Valves

■ Features of Actuators

- > Heavy duty Rack and pinion design
- > Spring return or double acting
- > Open and closed adjustment stops
- > True NAMUR accessory and ISO mounting
- > Visual indicator, Top Mount indicator
- > High temperature and corrosion resistant models available
- > Solenoids, limit switches, positioners and other accessories are available

- > Fully adjustable limit switches allow for fine control of on-off positions
- > All electric actuators are available for modulating (4-20mA control) or on-off service
- > Motor has thermal overload protection
- > Running Time: 9s/13s/15s/30s/50s/100s/150s
- > Heavy-duty gear train motor with permanent lubrication
- > ISO bottom mounting for direct mount actuation with true ISO valves on most models



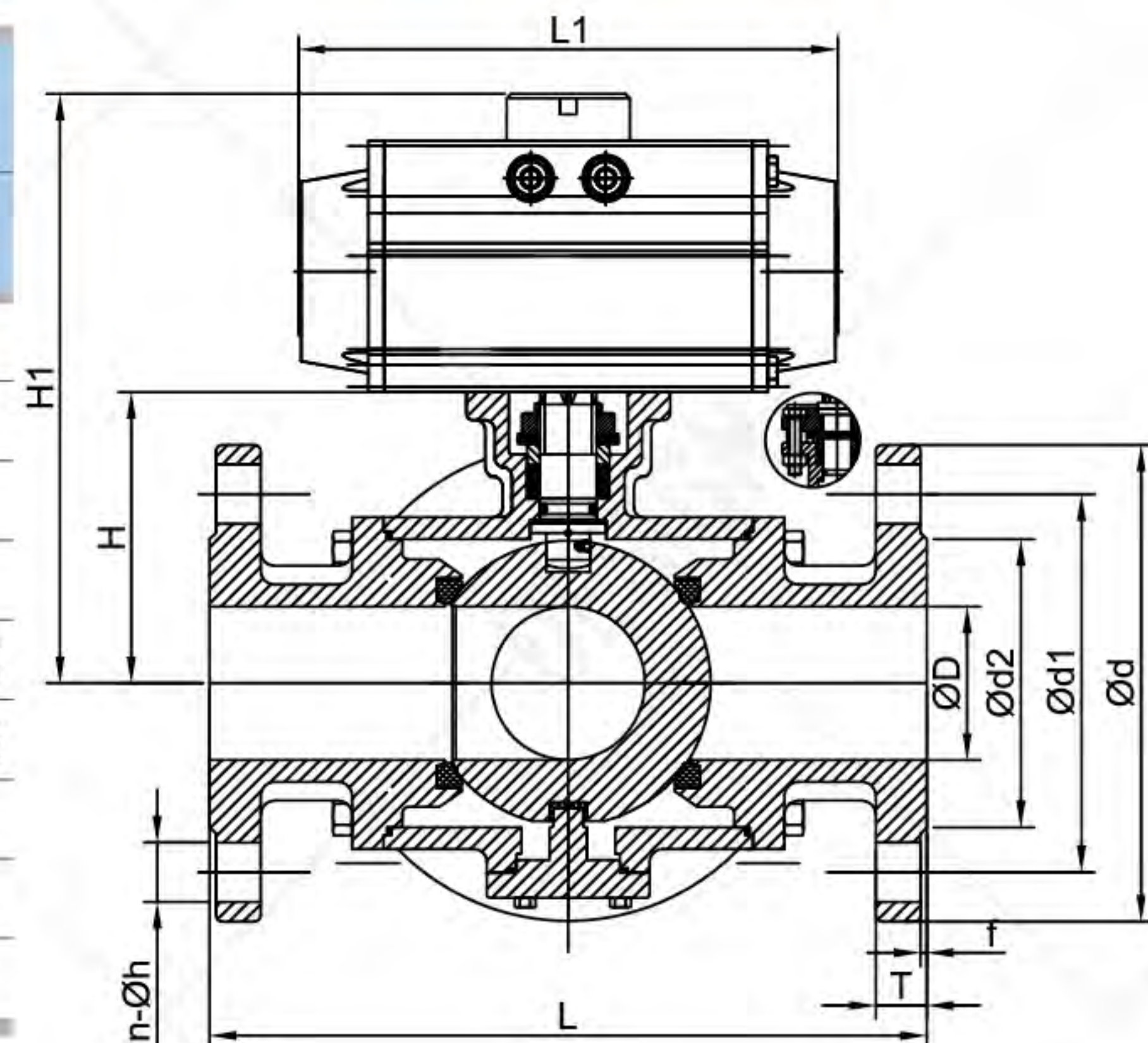
Pneumatically Operated



Electrically Operated

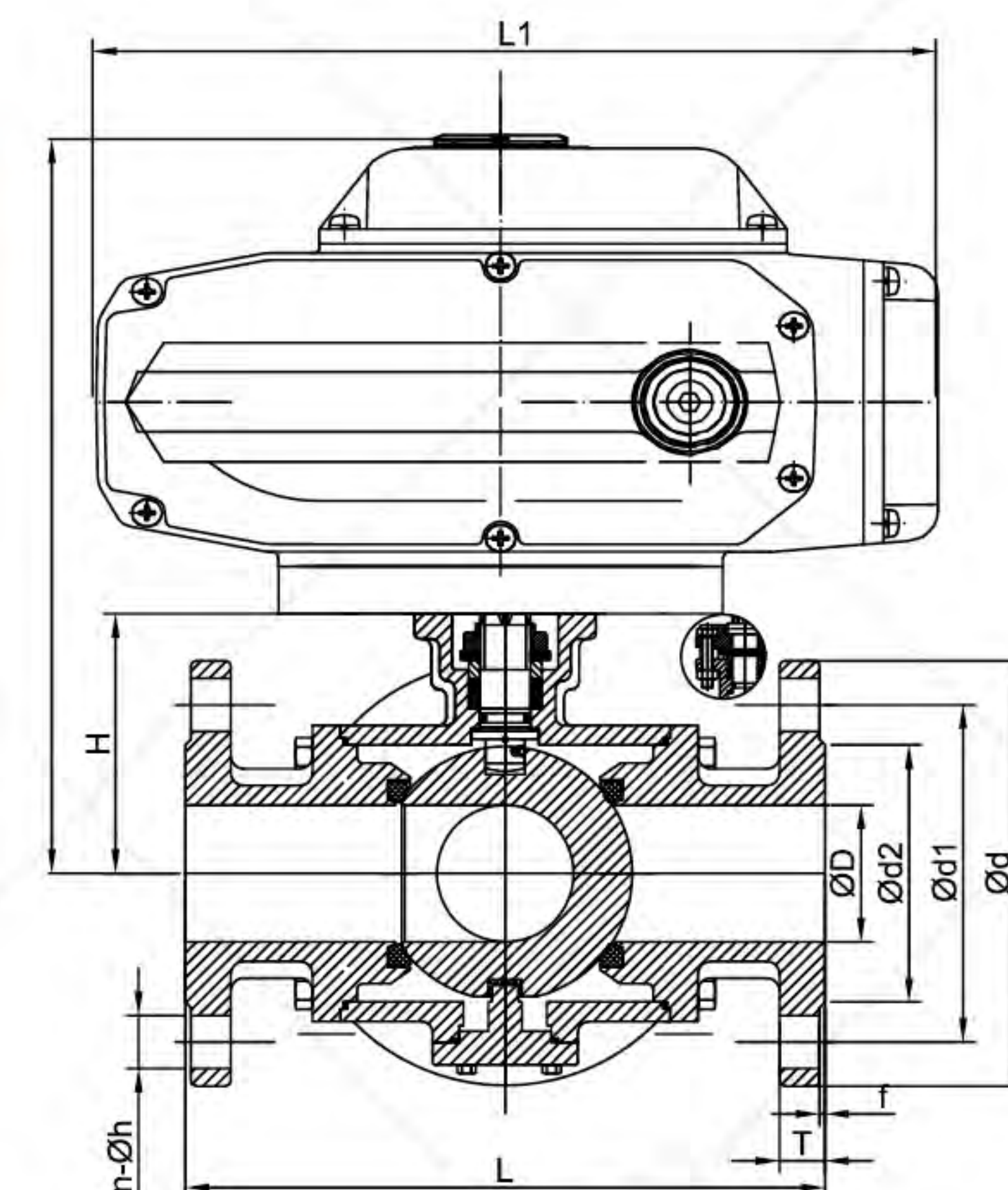
■ Dimensional Data

Size		PN	ΦD	Φd	Φd1	Φd2	L	n	Φh	T	f	H	SR		DA	
DN	In.												H1	L1	H1	L1
15	1/2	10-40	15	95	65	45	155	4	14	16	2	64.5	181.5	207	165	162
20	3/4	10-40	20	105	75	58	165	4	14	18	2	64.5	193	237.5	181.5	207
25	1	10-40	25	115	85	68	181	4	14	18	2	67.5	196	237.5	184.5	207
32	1 1/4	10-40	32	140	100	78	190	4	18	18	2	78.5	207	237.5	195.5	207
40	1 1/2	10-40	40	150	110	88	212	4	18	18	3	85	226.5	271.5	213.5	237.5
50	2	10-40	50	165	125	102	232	4	18	20	3	93	264.5	328	234.5	271.5
65	2 1/2	10-40	65	185	145	122	290	4	18	22	3	121	304.5	366	292.5	328
80	3	10-16	76	200	160	138	310	8	18	20	3	153	359	428	336.5	366
100	4	10-16	100	220	180	158	352	8	18	22	3	170.5	392.5	430	376.5	428



■ Dimensional Data

Size		PN	ΦD	Φd	Φd1	Φd2	L	n	Φh	T	f	H	H1	L1
DN	In.													
15	1/2	10-40	15	95	65	45	155	4	14	16	2	64.5	202	165
20	3/4	10-40	20	105	75	58	165	4	14	18	2	64.5	202	165
25	1	10-40	25	115	85	68	181	4	14	18	2	67.5	205	165
32	1 1/4	10-40	32	140	100	78	190	4	18	18	2	78.5	216	165
40	1 1/2	10-40	40	150	110	88	212	4	18	18	3	85	253.5	211.5
50	2	10-40	50	165	125	102	232	4	18	20	3	93	261.5	211.5
65	2 1/2	10-40	65	185	145	122	290	4	18	22	3	121	324	259
80	3	10-16	76	200	160	138	310	8	18	20	3	153	356	259
100	4	10-16	100	220	180	158	352	8	18	22	3	170.5	373.5	259



ALL VALVES ARE 100% ELECTRONICALLY TESTED AT 80 PSI IN BOTH THE OPEN AND CLOSED POSITIONS

True Union Ball Valves

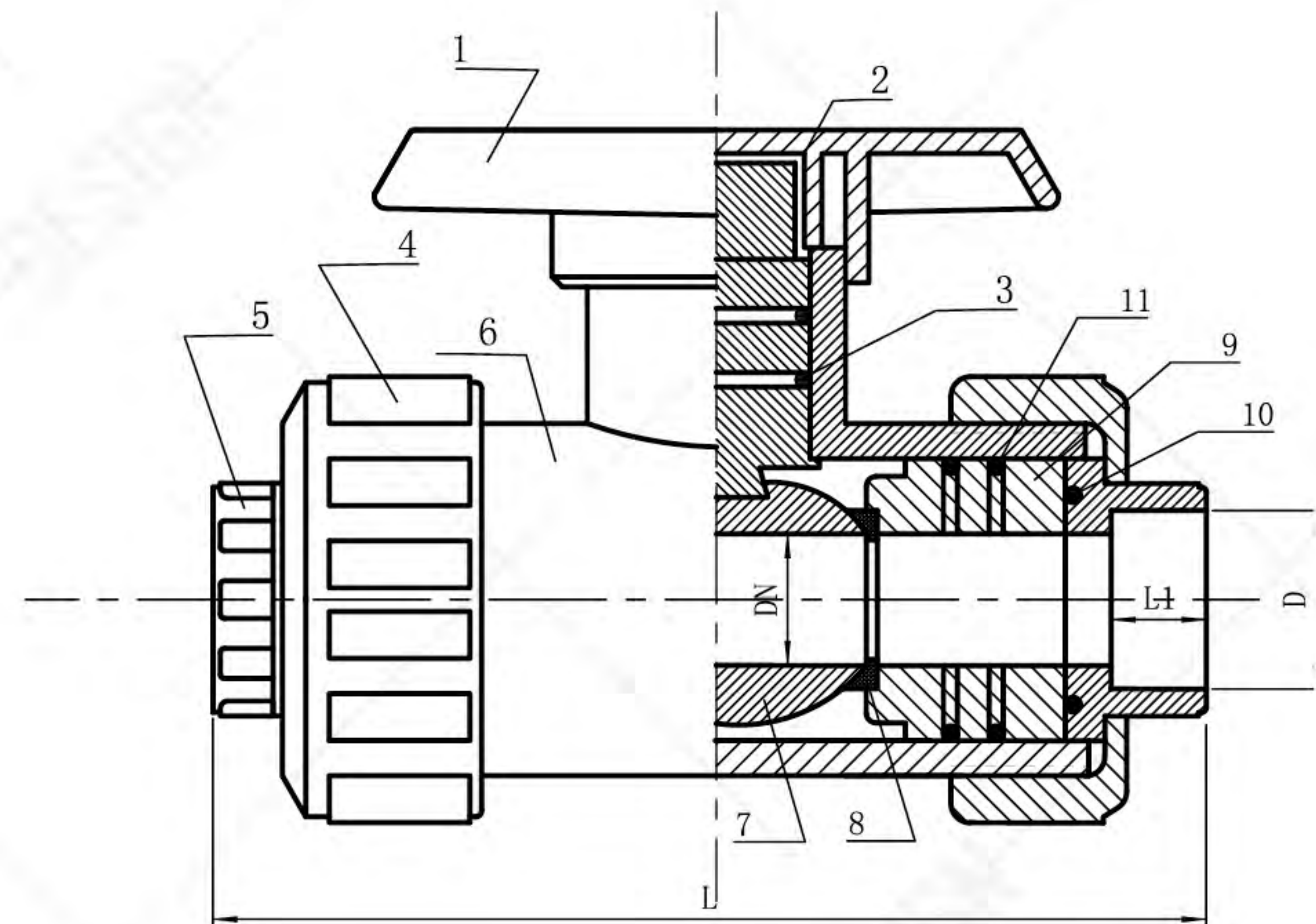
Features

- > 1/2" through 4"
- > True Union Ends
- > PN10 working pressure
- > Temperature rating varies from with o-ring material
- > Electric and Pneumatic Actuators
- > Cost-efficient Actuators
- > Ideal for Use in Chemical, Industrial, Irrigation, or
- > Pool and Spa NSF Listed for Potable Water



Material List

NO.	PARTS NAME	MATERIAL	QTY
1	HANDLE	ABS	1
2	STEM	UPVC	1
3	SEALING	EPDM	2
4	NUT	UPVC	2
5	JOINT	UPVC	2
6	BODY	UPVC	1
7	BALL	UPVC	1
8	SEAL	PTFE	2
9	PLUG	UPVC	2
10	SEAL	EPDM	2
11	SEAL	EPDM	2



Dimensional Data

Size		D	L	L1
DN	In.			
15	1/2	20	100	15
25	1	32	118	20
32	1 1/4	40	150	23
40	1 1/2	50	170	25
50	2	63	200	28
65	2 1/2	75	215	32
80	3	90	265	35
100	4	110	360	45

Valve Operator

Lever operation

- Pneumatic or electric actuators available.
- Limit switches, positioners, solenoid valves and many other customer options available.
- Contact FLOWX for appropriate choice and sizing of valve actuators.

ALL VALVES ARE 100% ELECTRONICALLY TESTED AT 80 PSI IN BOTH THE OPEN AND CLOSED POSITIONS

FLOWX VALVE • WORLD-CLASS VALVE SUPPLIERS • T (86) 021 3497 7873 • F (86) 021 5415 0271 • Email: sales@flowxvalve.com

True Union Ball Valves

Features of Actuators

- > Heavy duty Rack and pinion design
- > Spring return or double acting
- > Open and closed adjustment stops
- > True NAMUR accessory and ISO mounting
- > Visual indicator, Top Mount indicator
- > High temperature and corrosion resistant models available
- > Solenoids, limit switches, positioners and other accessories are available

- > Fully adjustable limit switches allow for fine control of on-off positions
- > All electric actuators are available for modulating (4-20mA control) or on-off service
- > Motor has thermal overload protection
- > Running Time: 9s/13s/15s/30s/50s/100s/150s
- > Heavy-duty gear train motor with permanent lubrication
- > ISO bottom mounting for direct mount actuation with true ISO valves on most models



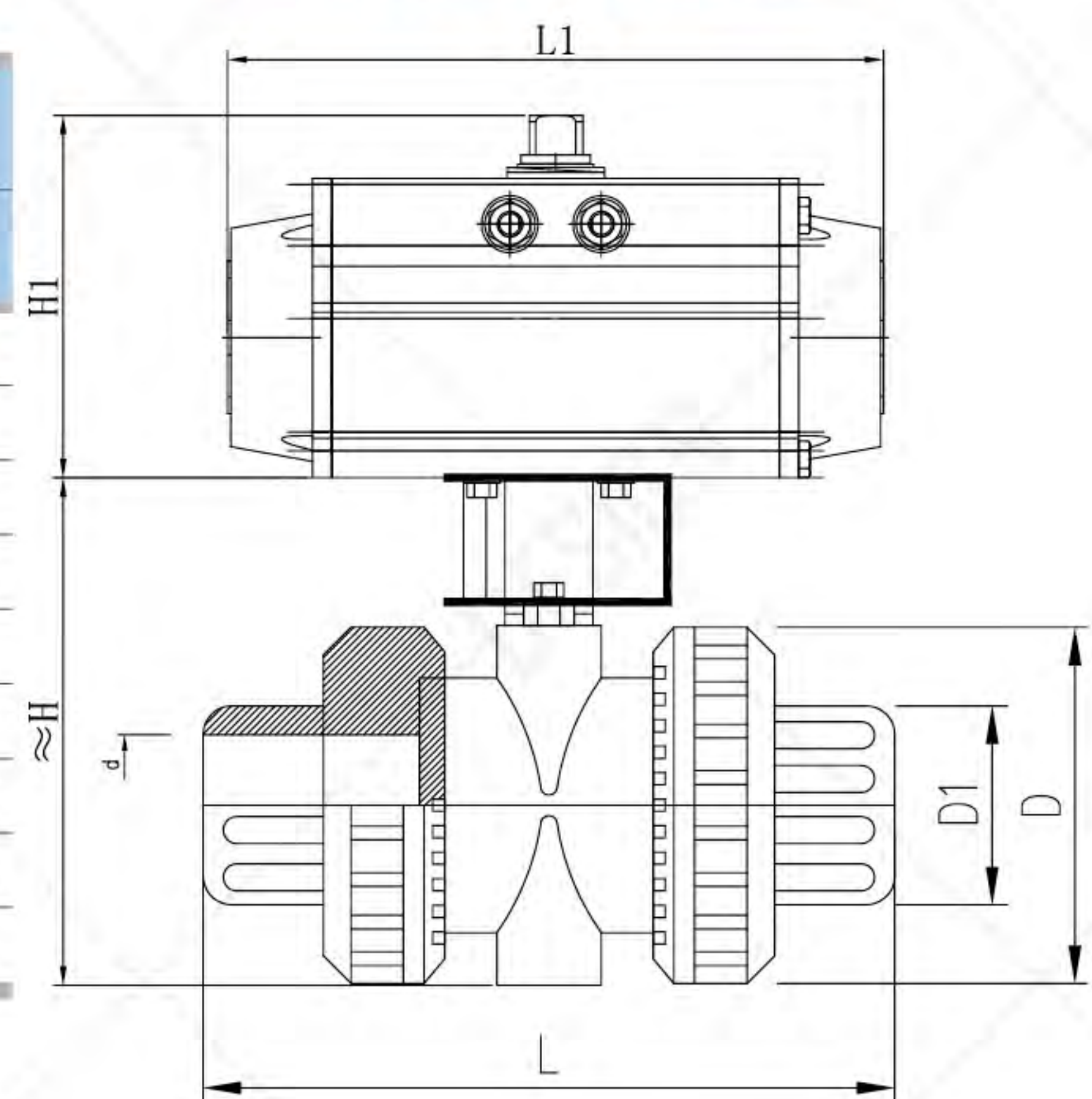
Pneumatically Operated



Electrically Operated

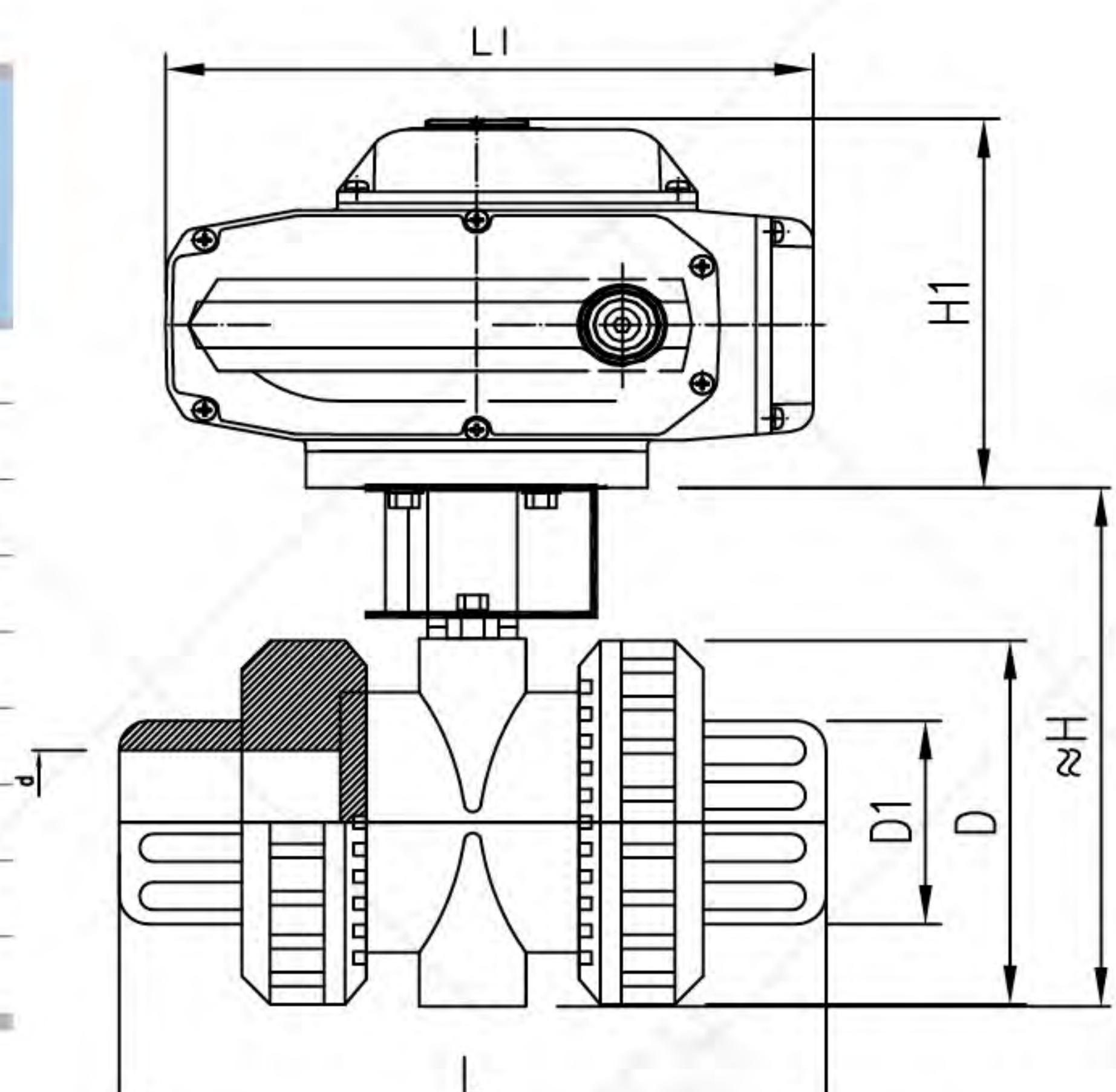
Dimensional Data

Size		Φd	ΦD	ΦD1	L	H	SR		DA	
DN	In.						L1	H1	L1	H1
15	1/2	20	46	30.5	112	81	162	100.5	139.5	89.5
20	3/4	25	55	36.5	130	90	162	100.5	139.5	89.5
25	1	32	66	43.5	144	101	207	117	162	100.5
32	1 1/4	40	82	54	168	117	207	117	162	100.5
40	1 1/2	50	98	64.5	173	133	237.5	128.5	207	117
50	2	63	120	78.5	204	170	237.5	128.5	207	117
65	2 1/2	75	139	92	275	189	271.5	141.5	237.5	128.5
80	3	90	162	109	300.5	212	328	171.5	271.5	141.5
100	4	110	226	145.5	330	286	366	183.5	328	171.5



Dimensional Data

Size		Φd	ΦD	ΦD1	L	H	L1	H1
DN	In.							
15	1/2	20	46	30.5	112	81	165	137.5
20	3/4	25	55	36.5	130	90	165	137.5
25	1	32	66	43.5	144	101	165	137.5
32	1 1/4	40	82	54	168	117	165	137.5
40	1 1/2	50	98	64.5	173	133	165	137.5
50	2	63	120	78.5	204	170	211.5	168.5
65	2 1/2	75	139	92	275	189	259	203
80	3	90	162	109	300.5	212	259	203
100	4	110	226	145.5	330	286	259	203



ALL VALVES ARE 100% ELECTRONICALLY TESTED AT 80 PSI IN BOTH THE OPEN AND CLOSED POSITIONS

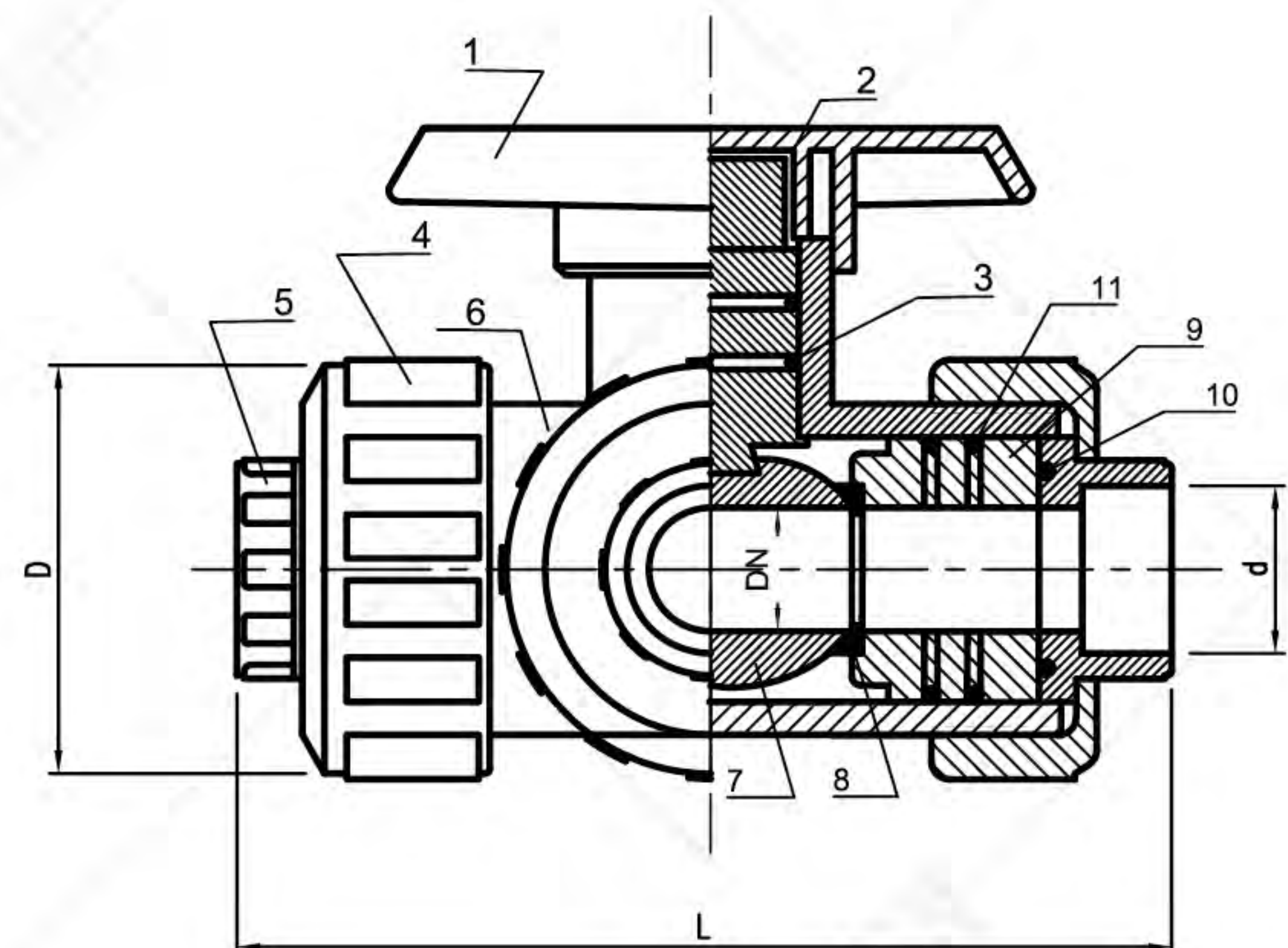
3-Way True Union Ball Valves

■ Features

- > 3/8" through 2"
- > L-Port or T-Port Configurations
- > True Union Ends
- > PN10 working pressure
- > Temperature rating varies from with o-ring material
- > Electric and Pneumatic Actuators
- > Cost-efficient Actuators
- > Ideal for Use in Chemical, Industrial, Irrigation, or Pool and Spa NSF Listed for Potable Water

■ Material List

NO.	PARTS NAME	MATERIAL	QTY
1	HANDLE	ABS	1
2	STEM	UPVC	1
3	SEALING	EPDM	2
4	NUT	UPVC	2
5	JOINT	UPVC	2
6	BODY	UPVC	1
7	BALL	UPVC	1
8	SEAL	PTFE	2
9	PLUG	UPVC	2
10	SEAL	EPDM	2
11	SEAL	EPDM	2



■ Dimensional Data

Size		Φd	ΦD	L
DN	In.			
10	3/8	16	54	118
15	1/2	20	54	118
20	3/4	25	65	145
25	1	32	73	160
32	1 1/4	40	86	188.5
40	1 1/2	50	98	219
50	2	63	122	266.5

Valve Operator

Lever operation

- Pneumatic or electric actuators available.
- Limit switches, positioners, solenoid valves and many other customer options available.
- Contact FLOWX for appropriate choice and sizing of valve actuators.

ALL VALVES ARE 100% ELECTRONICALLY TESTED AT 80 PSI IN BOTH THE OPEN AND CLOSED POSITIONS

FLOWX VALVE • WORLD-CLASS VALVE SUPPLIERS • T (86) 021 3497 7873 • F (86) 021 5415 0271 • Email: sales@flowxvalve.com

3-Way True Union Ball Valves

■ Features of Actuators

- > Heavy duty Rack and pinion design
- > Spring return or double acting
- > Open and closed adjustment stops
- > True NAMUR accessory and ISO mounting
- > Visual indicator, Top Mount indicator
- > High temperature and corrosion resistant models available
- > Solenoids, limit switches, positioners and other accessories are available

- > Fully adjustable limit switches allow for fine control of on-off positions
- > All electric actuators are available for modulating (4-20mA control) or on-off service
- > Motor has thermal overload protection
- > Running Time: 9s/13s/15s/30s/50s/100s/150s
- > Heavy-duty gear train motor with permanent lubrication
- > ISO bottom mounting for direct mount actuation with true ISO valves on most models



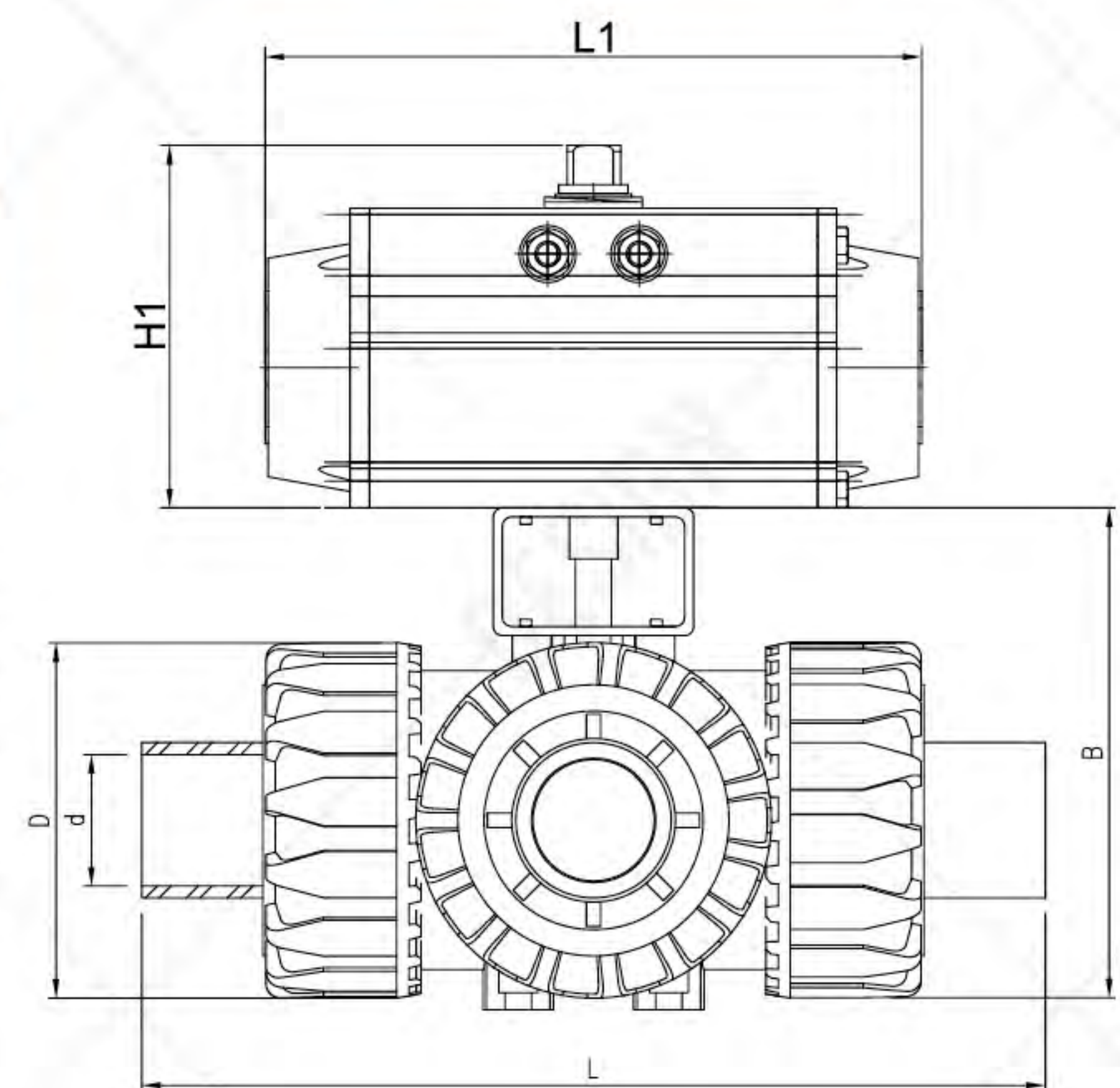
Pneumatically Operated



Electrically Operated

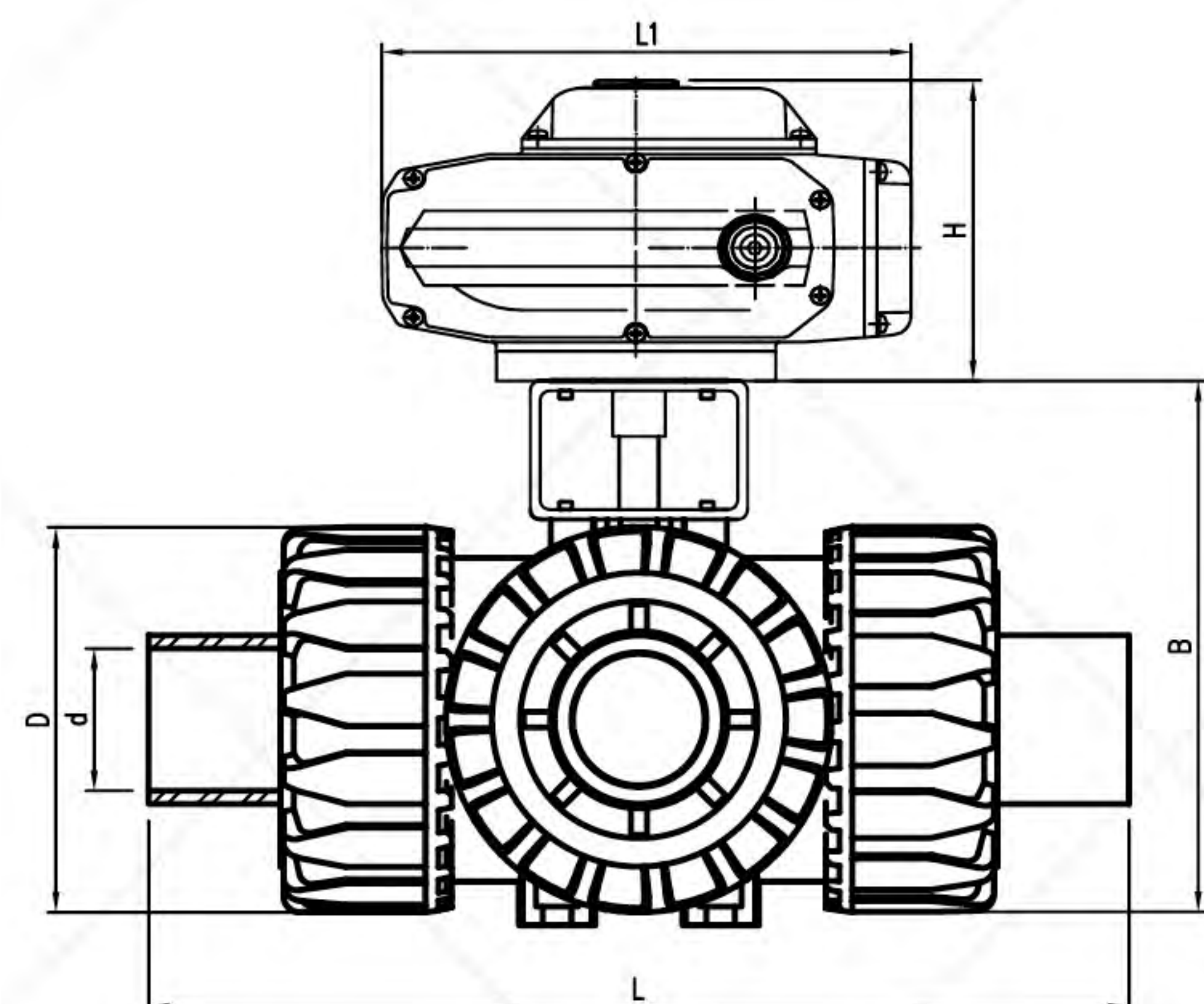
■ Dimensional Data

Size		Φd	ΦD	L	B	SR		DA	
DN	In.					L1	H1	L1	H1
10	3/8	16	54	118	87	162	100.5	139.5	89.5
15	1/2	20	54	118	87	162	100.5	139.5	89.5
20	3/4	25	65	145	103.5	207	117	162	100.5
25	1	32	73	160	113	207	117	162	100.5
32	1 1/4	40	86	188.5	137	207	117	162	100.5
40	1 1/2	50	98	219	149	237.5	128.5	207	117
50	2	63	122	266.5	176	271.5	141.5	237.5	128.5



■ Dimensional Data

Size		Φd	ΦD	L	B	L1	H1
DN	In.						
10	3/8	16	54	118	87	165	137.5
15	1/2	20	54	118	87	165	137.5
20	3/4	25	65	145	103.5	165	137.5
25	1	32	73	160	113	165	137.5
32	1 1/4	40	86	188.5	137	165	137.5
40	1 1/2	50	98	219	149	211.5	168.5
50	2	63	122	266.5	176	211.5	168.5



ALL VALVES ARE 100% ELECTRONICALLY TESTED AT 80 PSI IN BOTH THE OPEN AND CLOSED POSITIONS



All Rights Reserved

The contents of this publication are presented for informational purpose only, and while every effort has been made to ensure their accuracy, they are not to be construed as warranties or guarantees, express or implied, regarding the products or services described herein or their use or applicability. We reserve the right to modify or improve the designs or specifications of such products at any time with out notice.

ITALY FLOWX VALVE S.R.L

Viale Giulio Cesare 71,00192 Rome
Tel: +39 06 5236 2443
Web: www.flowxcontrol.com

SHANGHAI FLOWX VALVE CO., LTD.

Tel: 86 021 3297 7873
Email: sales@flowxvalve.com
Web: www.flowxvalve.com