

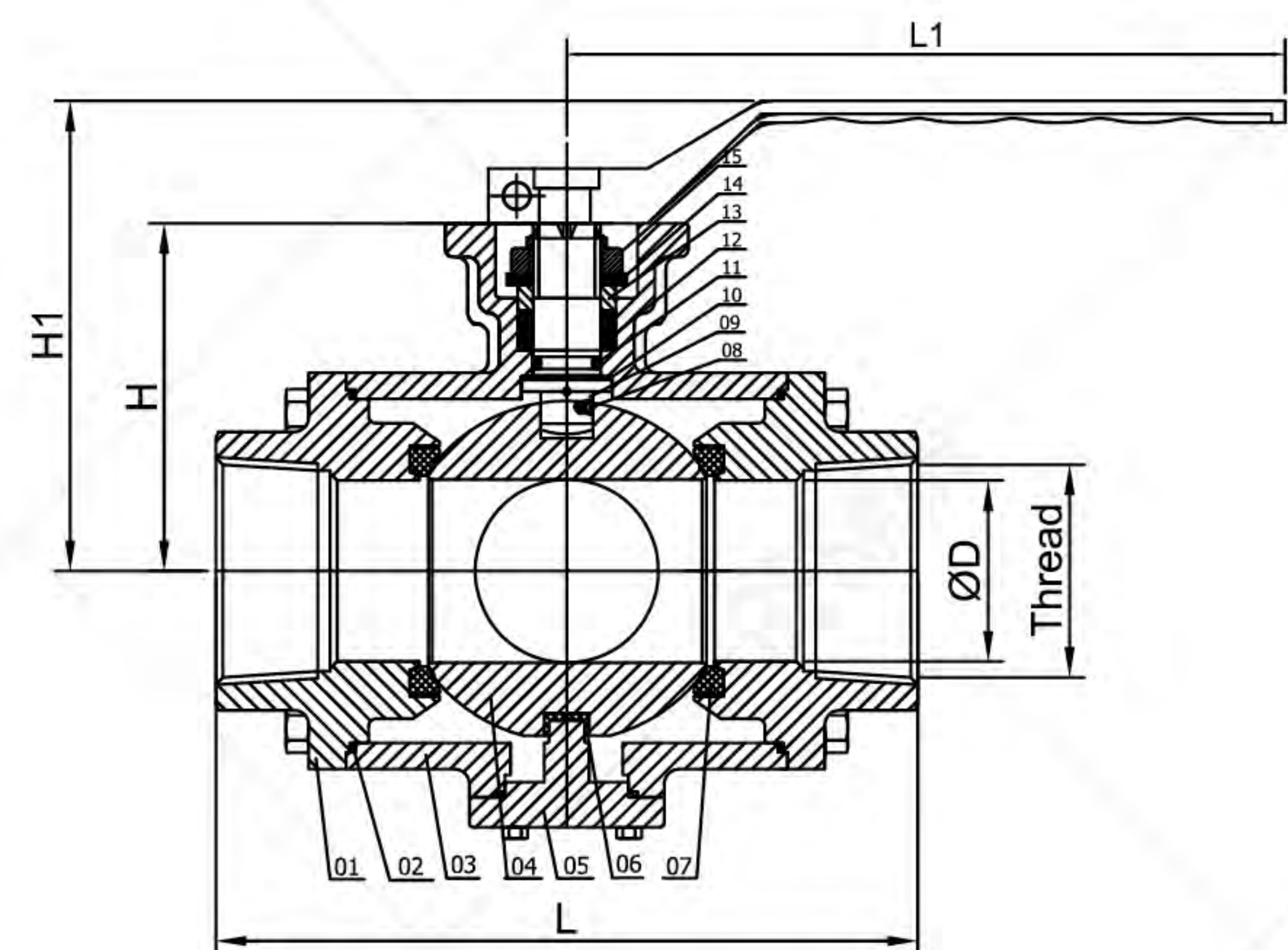
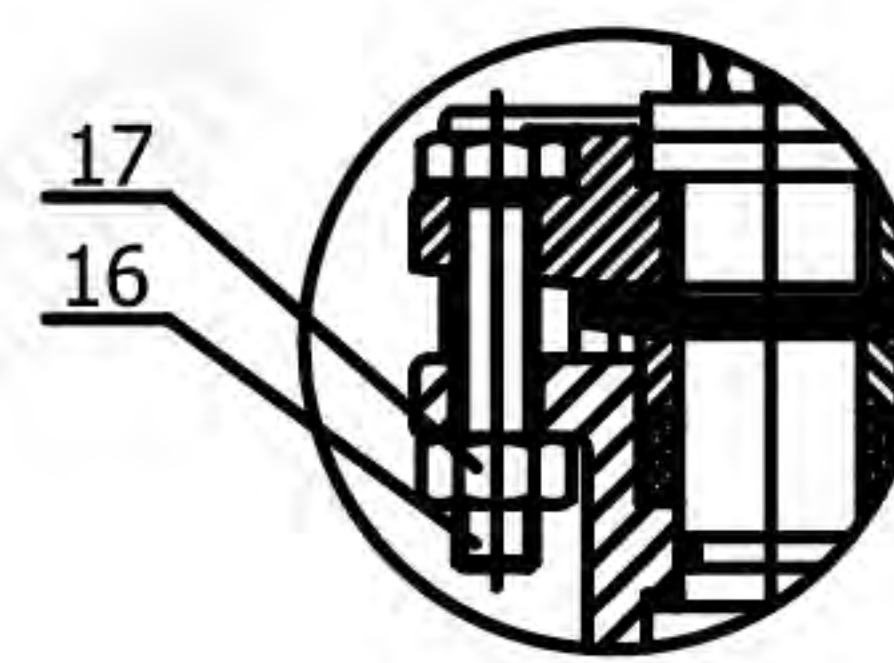
3-Way Thread Ball Valves

Features

- > L-Port or T-Port Configurations
- > Threaded End Connections
- > 1/2" through 4"
- > Electric and Pneumatic Actuators
- > 4-Seat Design for high cycling
- > Cost-efficient Actuators
- > Secure True ISO Mounting Pad
- > Most models are direct mount for lowest possible stack up height
- > Ported 3 way ball valves offering excellent versatility for mixing and diverting applications.

Material List

NO.	PARTS NAME	MATERIAL		
1	BONNET	WCB	CF8	CF8M
2	SEAT	TFM1600		
3	BODY	WCB	CF8	CF8M
4	BALL	SS304	SS304	SS316
5	FIXED SEAT	SS304	SS304	SS316
6	WEAR-PROOF CASING	PTFE		
7	SEAT	TFM1600		
8	ESD	SS		
9	STEM	SS316		
10	THRUST WASHER	RTFE		
11	O-RING	VITON		
12	PACKING	TFM1600		
13	PACKING RING	SS		
14	DISC SPRING	SS		
15	PACKING GLAND	WCB	SS	SS
16	BOLT	A 193 B7	A 193 B8	A 193 B8
17	NUT	A 194 2H	A 194 8	A 194 8



Dimensional Data

Size		PN	ΦD	L	H	L1	H1	THREAD
DN	In.							
15	1/2	16	15	120	64.5	165	92.5	NPT BSP PT DIN etc
20	3/4	16	20	120	64.5	165	92.5	
25	1	16	25	135	67.5	196	97.5	
32	1 1/4	16	32	152	78.5	196	108.5	
40	1 1/2	16	38	170	85	232	122.5	
50	2	16	50	190	93	232	130.2	
65	2 1/2	16	64	240	121	300	191	
80	3	16	76	285	153	300	223	
100	4	16	100	330	170.5	400	262.5	

Valve Operator

Lever operation

- Pneumatic or electric actuators available.
- Limit switches, positioners, solenoid valves and many other customer options available.
- Contact FLOWX for appropriate choice and sizing of valve actuators.

ALL VALVES ARE 100% ELECTRONICALLY TESTED AT 80 PSI IN BOTH THE OPEN AND CLOSED POSITIONS

FLOWX VALVE • WORLD-CLASS VALVE SUPPLIERS • T (86) 021 3497 7873 • F (86) 021 5415 0271 • Email:sales@flowxvalve.com

3-Way Thread Ball Valves

■ Features of Actuators

- > Heavy duty Rack and pinion design
- > Spring return or double acting
- > Open and closed adjustment stops
- > True NAMUR accessory and ISO mounting
- > Visual indicator, Top Mount indicator
- > High temperature and corrosion resistant models available
- > Solenoids, limit switches, positioners and other accessories are available

- > Fully adjustable limit switches allow for fine control of on-off positions
- > All electric actuators are available for modulating (4-20mA control) or on-off service
- > Motor has thermal overload protection
- > Running Time: 9s/13s/15s/30s/50s/100s/150s
- > Heavy-duty gear train motor with permanent lubrication
- > ISO bottom mounting for direct mount actuation with true ISO valves on most models



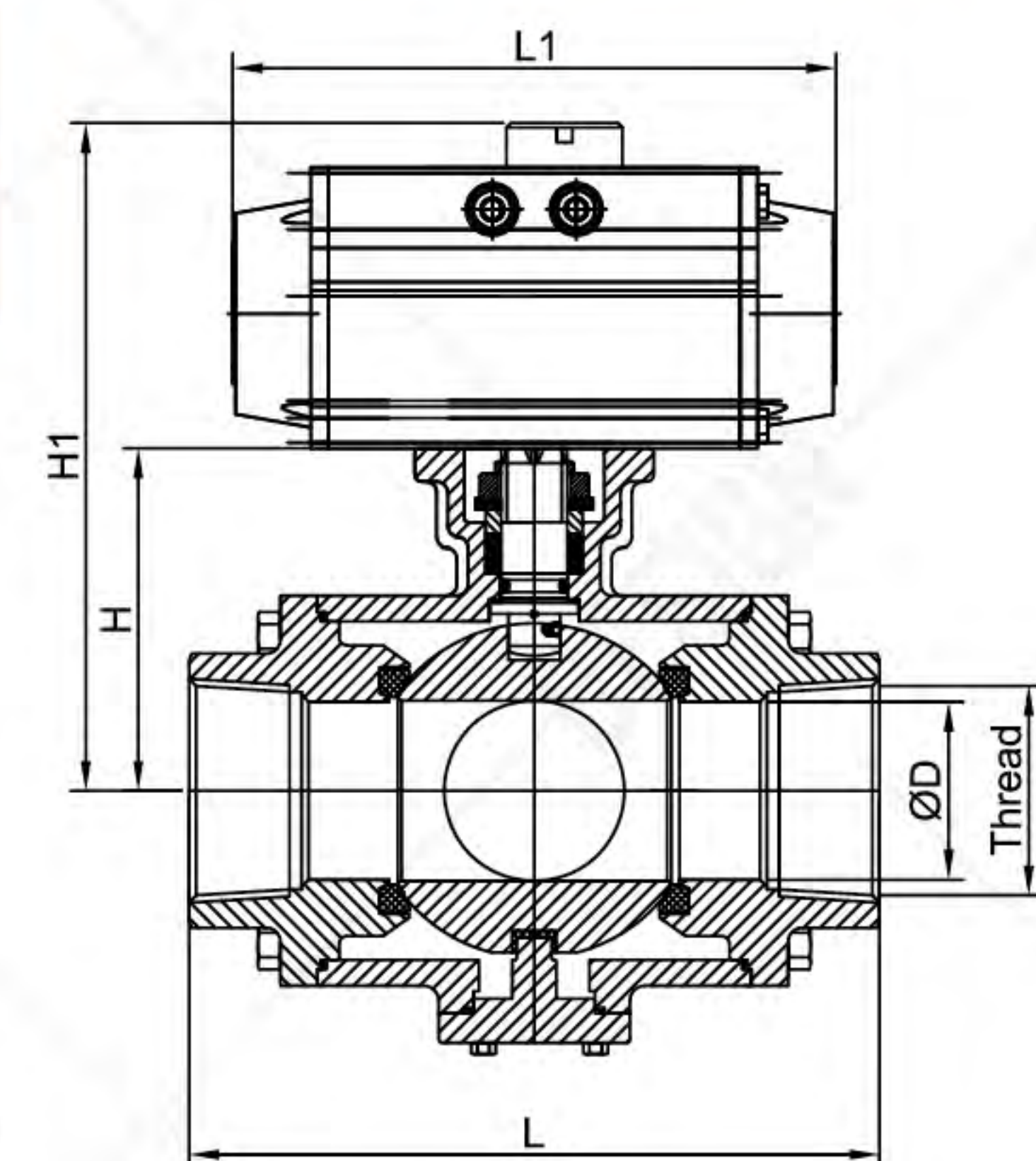
Pneumatically Operated



Electrically Operated

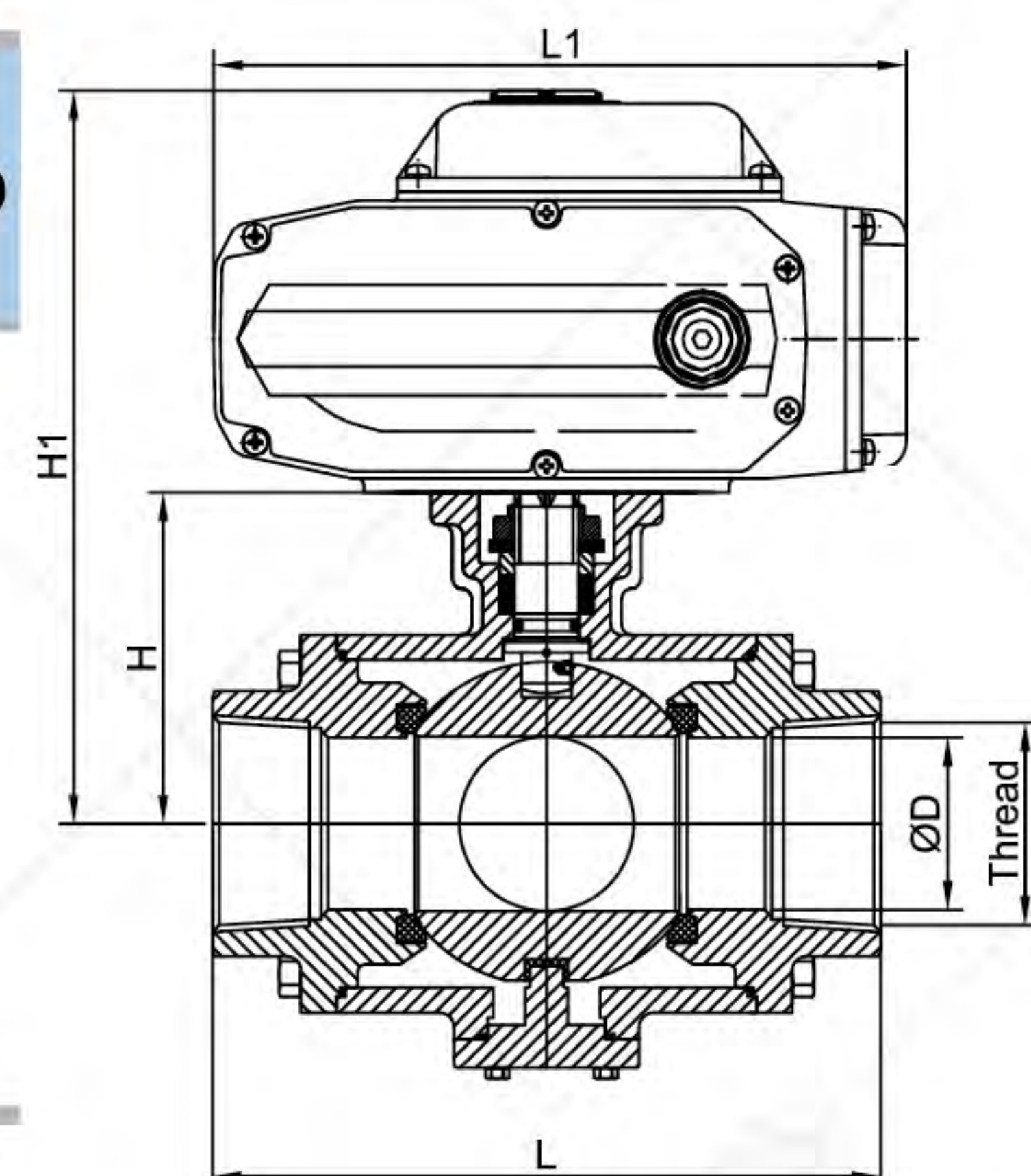
■ Dimensional Data

Size		PN	ΦD	L	H	SR		DA		THREAD
DN	In.					H1	L1	H1	L1	
15	1	16	15	120	64.5	165	162	154	139.5	NPT BSP PT DIN etc
20	1¼	16	20	120	64.5	165	162	154	139.5	
25	1½	16	25	135	67.5	184.5	207	168	162	
32	2	16	32	152	78.5	195.5	207	179	162	
40	2½	16	38	170	85	213.3	237.5	202	207	
50	3	16	50	190	93	211.5	237.5	210	207	
65	4	16	64	240	121	262.5	271.5	249.5	237.5	
80	5	16	76	285	153	324.5	328	294.5	271.5	
100	6	16	100	330	170.5	354.5	366	342	328	



■ Dimensional Data

Size		PN	ΦD	L	H	H1	L1	THREAD
DN	In.							
15	1	16	15	120	64.5	202	165	NPT BSP PT DIN etc
20	1¼	16	20	120	64.5	202	165	
25	1½	16	25	135	67.5	205	165	
32	2	16	32	152	78.5	216	165	
40	2½	16	38	170	85	222.5	165	
50	3	16	50	190	93	261.5	211.5	
65	4	16	64	240	121	324	259	
80	5	16	76	285	153	356	259	
100	6	16	100	330	170.5	373.5	259	



ALL VALVES ARE 100% ELECTRONICALLY TESTED AT 80 PSI IN BOTH THE OPEN AND CLOSED POSITIONS